



WITH HUMILITY AND HONESTY
WE CRAFT EXCELLENCE FOR YOU

23

th

celebrating
23 YEAR COLLECTION
Since 2003



Chiropractic Tables



Medical Treatment Table



Rehabilitation Equipment



SPA Bed



Portable Tables



Massage Chair



Facial Chair



Electric Tables



Stationary Tables



Massage stone & Heaters



Massager



Rehabilitation Equipment

企业大事记 >>

Enterprise Memorabilia

With humility and honesty, we craft excellence for you.

2002

三洲创立

徐勇先生创立上海三洲家具有限公司



Establishment of Sanzhou Furniture

Shanghai Sanzhou Furniture Co., Ltd. Was Established by Mr. Xu Yong.

2003

迈特创立



杜传奎先生创立上海迈特家具有限公司, 并且自主研发生产第一台可折叠按摩床

Establishment of Mt Furniture

Shanghai Mt Furniture Co., Ltd. Was Established by Mr. Dan Du. The First Portable Massage Table Was Produced.

2007

联手推动创新

1. 生产第一台电动按摩床
2. 生产第一台固定式按摩床
3. 上海金彩家具公司与上海三洲家具公司合并



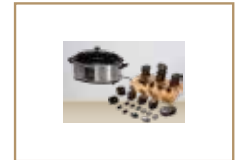
Jointly Promote Innovation

1. The First Electric Treatment Bed Was Produced.
2. The First Stationary Massage Table Was Produced.
3. Shanghai Mt Furniture Co., Ltd. Merged with Shanghai Sanzhou Furniture Co., Ltd.

2008

扩大研发范围

自主研发冷热按摩石及热石加热器

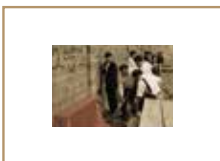


Research and Development Expansion

Produced the First Massage Stone Heat and Started Selling Massage Stone Heaters

2010

新帛成立



1. 上海新帛实业有限公司成立
2. 出品首台脊椎正骨床

Establishment of SINTANG

1. The Company Was Renamed: Shanghai Sintang Industrial Co., Ltd
2. The First Chiropractic Table Was Produced.

2012

电动美容床诞生

出品首台电动美容床

普拉提核心床诞生

出品首台普拉提核心床



Electric Facial Chair Was Produced

The First Electric Spa Facial Bed Was Produced.

Pilates Reformer Was Produced

The First Pilates Reformer Was Produced.

2013

迁入自建上海生产基地

上海新帛实业有限公司迁入上海金山亭林自建生产基地

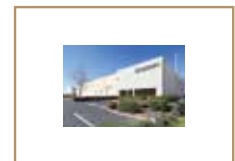


Moved into Self-built Workshop

Shanghai Sintang Industrial Co., Ltd Moved into its Own Manufacturing Base. (375,000SQF)

2015

逐步发展壮大



上海新帛实业有限公司成为美国 Master Home Products Ltd Inc的控股股东

Grow Better and Stronger

Shanghai Sintang Industrial Co., Ltd. Became a Shareholder of Master Home Product Ltd Inc.

2018

进军医疗市场

Hemet禾玛医疗品牌事业部成立, Premier系列产品出品



Enter Medical Markets

Hemet Medical Brand Division Was Established and Camino, Premier Series Medical Equipments Were Launched.

2019

不断创新产品以及海外拓展

1. 推出了首款纹身椅和首款气动美容床
2. 英国公司 Master Massage Equipment Limited 成立并开展英国业务。
3. 德国公司 Master Massage Equipment Europe GmbH 成立并开展德国业务。

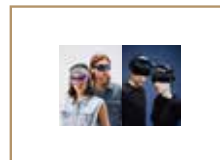


Continuous Innovation

1. The First Tattoo Chair and the First Pneumatic Facial Bed Were Launched.
2. Master Massage Equipment Limited Was Established in UK.
3. Master Massage Equipment Europe GmbH Was Established in Germany.

2020

Hi5电子事业部成立



推出了首款筋膜枪及多种电动按摩器。

Establishment of Electronic Production Department

The First Massage Gun, Back Massager, Eye Massager were Launched.

2023

迁入自建江苏盐城生产基地

江苏新帛健康科技有限公司成立。江苏生产基地占地面积80亩, 建筑面积82000平方米。



Jiangsu Production Base Put in Use

Jiangsu Sintang Health & Technology Co., Ltd Were Established. Jiangsu production base covers an area of 5.3 hectare, with a construction area of 82000 square meters.

核心价值观 Core Values

愿景

高品质的医疗、按摩、美容床具及用品的制造商。

VISION

Manufacturer of premium quality medical, massage, beauty bedding and supplies.

使命

为全球用户提供世界最好的医疗，健康设备及产品，为客户提供最好的售前，售中及售后服务。

MISSION

Supply the best medical, massage equipment on earth, offering the best life time service to global customers.

价值

创新、稳健、包容、勤奋且积极求胜。

VALUE

Innovative, steady, inclusive, diligent and aggressive.



企业简介 (Company Introduction)

公司于 2003 年 6 月 5 日，由杜传奎及徐勇先生共同创办，是一家高品质医疗、按摩、美容床具及用品的制造商。致力于为全球用户提供最好的医疗、按摩及美容床具及用品，为客户提供最好的售前，售中及售后服务。引领全球按摩行业转型变革，为全球理疗及美容师打造更好的体验和机遇。

Founded on June 5, 2003 by Mr. Du Chuankui and Mr. Xu Yong, is a manufacturer of high-quality medical, massage, beauty bedding and supplies. We are committed to providing the best medical, massage and beauty bedding and supplies for users around the world, and providing the best before-sales, in-sale and after-sales services for customers. Lead the innovation and transformation of the global massage industry, and create better experience and opportunities for global physiotherapists and beauticians.



Video

Our Factory in Shanghai

Address: 136 Linsheng Road, Tinglin Town,
Jinshan District, Shanghai City, China.



Our Factory in Jiangsu

Address: 10. Jinfeng Road, Dafeng District,
Yancheng City, Jiangsu Province, China.



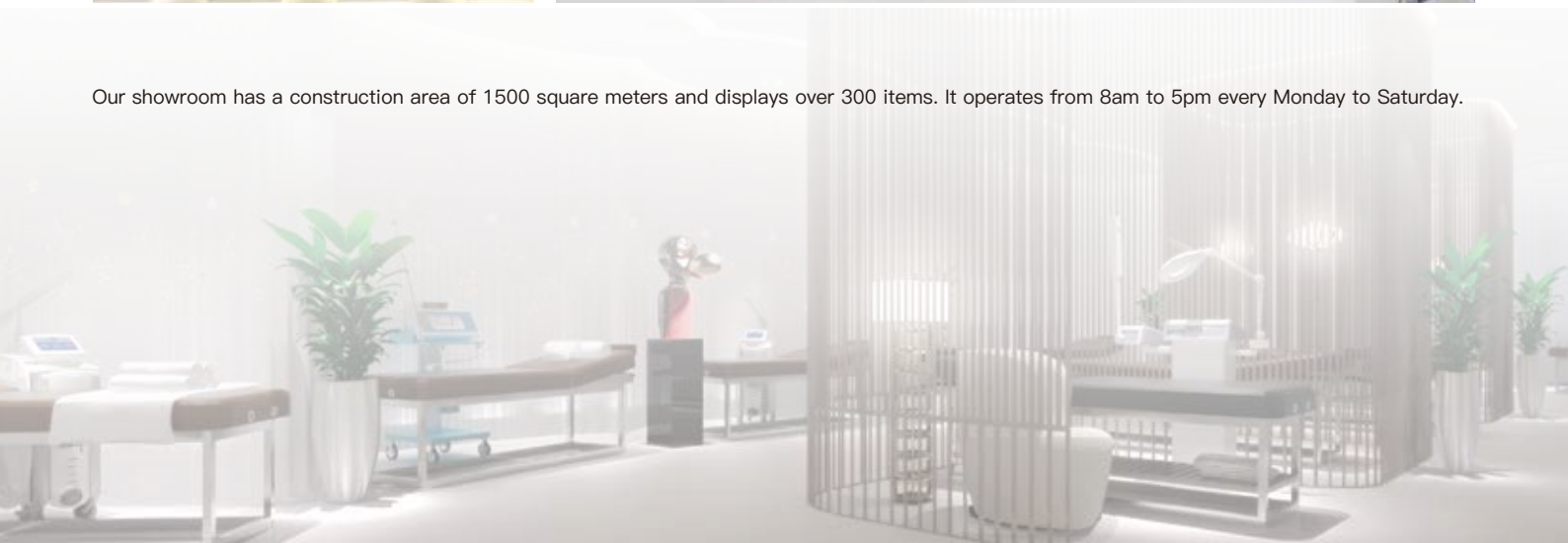
Showroom Collection



Video



Our showroom has a construction area of 1500 square meters and displays over 300 items. It operates from 8am to 5pm every Monday to Saturday.



Our Products

Massage Equipment



Portable Massage Table



Stationary Massage Table



Electric Massage Table



Massage Stone & Equipment



Stools & Trolley Cart



Oil Warmer

Medical Equipment



Examination Table



Rehabilitation Table



Chiropractic Table



Transfer Bed



Treatment Table



Rehabilitation Equipment

Salon SPA Bed



Olivia



Yosemite-B



Lynn Heaven

Beauty Equipment



Facial Bed



Facial Chair

Massager

Space Saver Series

Model: SpaceSaver-60M



Transforms from full studio workout to compact storage in seconds.

Product Specifications

• Dimensions	Width 23.6"/60 cm × Length 89.8"/228 cm × Height 8.3"/21 cm
• Frame Material	Solid North American Hard Maple, 28 mm thickness
• Folding System	Domestic pneumatic folding structure
• Legs	8 fixed PA6 legs (optional telescopic legs available)
• Springs	Yaozhilin springs – 2 Yellow, 2 Blue, 2 Red
• Foot Bar	7-position adjustable, made of 304 stainless steel
• Rails	Natural anodized aluminum alloy guide rails
• Risers	304 stainless steel adjusting Risers



Standard Accessories

- Jumpboard (22"/56cm × 22"/56cm)
- Rubber-coated handles
- Detachable plastic base shoulder rests
- Double loop straps

Standard Accessories

- Foam foot platform (23"/59cm × 7"/18cm)
- Non-slip wooden foot platform (23"/59cm × 7"/18cm)
- Black foot-strap

*Optional Accessories

- Foam board (23"/59cm × 9"/23 cm)
- Non-slip wooden platform (23"/59 × 11"/27cm)
- Wooden sitting box

Space Saver Series

Model: SpaceSaver-60R



Transforms from full studio workout to compact storage in seconds.

Product Specifications

• Dimensions	Width 23.6"/60 cm × Length 89.8"/228 cm × Height 8.3"/21cm	• Springs	Yaozhilin springs – 2 Yellow, 2 Blue, 2 Red
• Frame Material	Solid Southeast Asian rubber wood, 28 mm thickness	• Foot Bar	7-position adjustable, made of 304 stainless steel
• Folding System	Domestic pneumatic folding structure	• Rails	Natural anodized aluminum alloy guide rails
• Legs	8 fixed PA6 legs (optional telescopic legs available)	• Risers	304 stainless steel adjusting Risers

Standard Accessories

- Jumpboard (22"/56cm × 22"/56cm)
- Rubber-coated handles
- Detachable plastic base shoulder rests
- Double loop straps

Standard Accessories

- Foam foot platform (23"/59cm × 7"/18cm)
- Non-slip wooden foot platform (23"/59cm × 7"/18cm)
- Black foot-strap

*Optional Accessories

- Foam board (23"/59cm × 9"/23 cm)
- Non-slip wooden platform (23"/59 × 11"/27cm)
- Wooden sitting box

Studio Solid Series

Model: StudioSolid 60M



Engineered for professional studios, this full-size Reformer combines timeless craftsmanship with uncompromising performance.

Product Specifications

• Dimensions	Width 23.6"/60 cm × Length 89.8"/228 cm × Height 10.2"/26cm	• Foot Bar	7-position adjustable, made of 304 stainless steel
• Frame Material	Solid North American Hard Maple, 28 mm thickness	• Rails	Natural anodized aluminum alloy guide rails
• Springs	Yaozhilin springs – 1 Yellow, 2 Blue, 2 Red	• Risers	Maple wood adjusting Risers

Standard Accessories

- Jumpboard (22"/56cm × 22"/56cm)
- Rubber-coated handles
- Detachable plastic base shoulder rests
- Double loop straps

Standard Accessories

- Foam foot platform (23"/59cm × 7"/18cm)
- Non-slip wooden foot platform (23"/59cm × 7"/18cm)
- Black foot strap

*Optional Accessories

- Foam platform (23"/59cm × 9"/23 cm)
- Non-slip wooden platform (21"/53 × 11"/27cm)
- Sitting box

Studio Solid Series

Model: StudioSolid 60R



Engineered for professional studios, this full-size Reformer combines timeless craftsmanship with uncompromising performance.

Product Specifications

• Dimensions	Width 23.6"/60 cm × Length 89.8"/228 cm × Height 10.2"/26cm	• Foot Bar	7-position adjustable, made of 304 stainless steel
• Frame Material	Solid Southeast Asian rubber wood, 28 mm thickness	• Rails	Natural anodized aluminum alloy guide rails
• Springs	Yaozhilin springs – 1 Yellow, 2 Blue, 2 Red	• Risers	Rubber wood adjusting Risers

Standard Accessories

- Jumpboard (22"/56cm × 22"/56cm)
- Rubber-coated handles
- Detachable plastic base shoulder rests
- Double loop straps

Standard Accessories

- Foam foot platform (23"/59cm × 7"/18cm)
- Non-slip wooden foot platform (23"/59cm × 7"/18cm)
- Black foot strap

*Optional Accessories

- Foam platform(23"/59cm × 9"/23 cm)
- Non-slip wooden platform (21"/53 × 11"/27cm)
- Sitting box

Studio Solid Series

Model: StudioSolid Pro 70M



Structural Upgrade + Ergonomic Upgrade + Visual Identity Upgrade

Upgraded with a 35 mm laminated European maple frame and reinforced 10 mm stainless steel supports, the Studio Solid Pro 70M delivers enhanced rigidity and long-term stability.

A lengthened 930 mm carriage travel and expanded foot platforms provide improved range of motion, comfort, and control—designed for professional studios requiring a wider, stronger, and more capable Reformer.

Product Specifications

• Dimensions	Width 27.6"/70cm × Length 89.8"/228cm × Height 14.8"/37.5cm
• Frame Material	Laminated European maple frame, 35 mm thickness
• Springs	Dongxiang springs – 2 Yellow, 2 Green, 2 Red
• Foot Bar	7-position adjustable, made of 304 stainless steel-10mm
• Rails	Natural anodized aluminum alloy guide rails

Standard Accessories

- Jumpboard (25.6"/65cm × 22.4"/57cm)
- Rubber-coated handles
- Detachable plastic base shoulder rests
- Double loop straps
- Foam foot platform (27"/68.5cm × 8.7"/22cm)
- Non-slip wooden foot platform (26.8"/68cm × 6"/15cm)
- Black foot strap

*Optional Accessories

- Foam platform (26.8"/68cm × 8.7"/22cm)
- Sitting box

Studio Solid Series

Model: StudioSolid Pro 69R



Built with a widened 68.6 cm rubberwood frame and reinforced 10 mm stainless steel supports, the Studio Solid Pro 69R offers enhanced stability while maintaining a classic 28 mm solid wood structure.

A lengthened 930 mm carriage and enlarged foot platforms provide improved range of motion, comfort, and control—ideal for professional studio environments.

Product Specifications

• Dimensions	Width 27"/68.6cm × Length 89.8"/228cm × Height 14.8"/37.5cm
• Frame Material	Solid Southeast Asian rubber wood, 28 mm thickness
• Springs	Yaozhilin springs – 2 Yellow, 2 Blue, 2 Red
• Foot Bar	7-position adjustable, made of 304 stainless steel-10mm
• Rails	Natural anodized aluminum alloy guide rails

Standard Accessories

- Jumpboard (25.6"/65cm × 22.4"/57cm)
- Rubber-coated handles
- Detachable plastic base shoulder rests
- Double loop straps
- Foam foot platform (27"/68.5cm × 8.7"/22cm)
- Non-slip wooden foot platform (26.8"/68cm × 6"/15cm)
- Black foot strap

*Optional Accessories

- Foam platform (26.8"/68cm × 8.7"/22cm)
- Sitting box

EcoBalance Series

Model: EB-02



An eco-conscious Reformer series crafted from plywood with artistic fireproof finishes, combining sustainability with modern design.

Product Specifications

• Dimensions	Width 23.6"/60 cm × Length 89.3"/227 cm × Height 10.2"/26 cm
• Frame Material	Fireproof artistic laminate on solid multilayer plywood, 28 mm thickness
• Springs	Yaozhilin springs – 1 Yellow, 2 Blue, 2 Red
• Foot Bar	7-position adjustable, made of 304 stainless steel
• Rails	Natural anodized aluminum alloy guide rails
• Risers	Rubber wood adjusting Risers



Standard Accessories

- Jumpboard (22"/56cm × 22"/56cm)
- Rubber-coated handles
- Detachable plastic base shoulder rests
- Double loop straps

Standard Accessories

- Foam foot platform (23"/59cm × 7"/18cm)
- Non-slip wooden foot platform (23"/59cm × 7"/18cm)
- Black foot-strap

*Optional Accessories

- Foam board (23"/59cm × 9"/23 cm)
- Non-slip wooden platform (21"/53 × 11"/27cm)
- Wooden sitting box

EcoBalance Series

EB-01/EB-02/EB-03



The green and purple leaf motif symbolizes vitality, balance, and renewal—an eco-inspired design that unites sustainability with elegance.



EB-01
The Leaf-patterned Design



This French Forest pattern combines delicate floral and botanical motifs in soft beige tones, evoking a sense of natural elegance and timeless sophistication.



EB-02
The French Forest Patten Design



The Luxury Stone texture embodies timeless strength and elegance, bringing a sense of grounding sophistication to the Reformer.



EB-03
The Luxury Stone

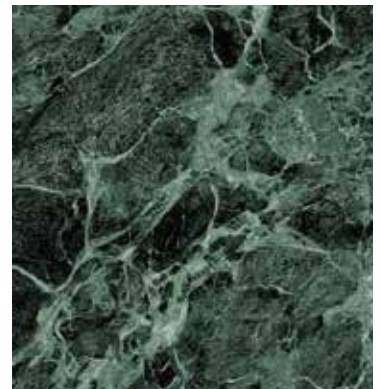
EcoBalance Series

EB-04/EB-05/EB-06



Golden Fan pattern inspired pattern featuring layered teal and emerald fans with golden accents, symbolizing elegance, luxury, and timeless style.

EB-04
The Golden Fan Patterned Design



The Prada Green Stone finish evokes the richness of natural marble, symbolizing strength, luxury, and timeless elegance.

EB-05
The Prada Green Stone



A delicate watercolor-inspired floral pattern, featuring soft pastel petals in shades of lavender, pink, yellow, and blue, creating a light and airy elegance.

EB-06
The Floral Sonata Pattern

AeroFrame Series

Model: AeroFrame-BLK



An all-aluminum Reformer engineered for exceptional strength-to-weight performance and corrosion resistance. Its minimalist, low-maintenance build delivers a whisper-smooth ride for professional studios and premium home gyms—crafted from highly recyclable aluminum.

Product Specifications

• Dimensions Width 24.4"/62 cm × Length 92.5"/235 cm × Height 14.6"/37 cm

• Frame Material Aluminum Alloy, 100 mm width

• Springs Yaozhilin springs – 1 Yellow, 2 Blue, 2 Red

• Foot Bar 3-position adjustable

• Rails Integrated built-in guide rail

• Risers Patent pending risers design

Standard Accessories

- Jumpboard (22"/56cm × 22"/56cm)
- Rubber-coated handles
- Detachable plastic base shoulder rests
- Double loop straps

Standard Accessories

- Foam foot platform (23"/59cm × 7"/18cm)
- Non-slip wooden foot platform (23"/59cm × 7"/18cm)
- Black foot strap

*Optional Accessories

- Foam platform (23"/59cm × 9"/23 cm)
- Non-slip wooden platform (21"/53 × 11"/27cm)
- Sitting box

NovaForm Series

Model: NovaForm-Wt



Sleek and modern, NovaForm redefines Pilates with its pure white aluminum frame, minimalist lines, and a design that blends strength with elegance.

Product Specifications

• Dimensions	Width 26.8"/68 cm × Length 90"/229 cm × Height 14.6"/37 cm	• Foot Bar	3-position adjustable
• Frame Material	Aluminum Alloy, 100 mm width	• Rails	Integrated built-in guide rail
• Springs	Yaozhilin springs – 1 Yellow, 2 Blue, 2 Red	• Risers	Patent pending risers design

Standard Accessories

- Jumpboard (22"/56cm × 22"/56cm)
- Rubber-coated handles
- Detachable plastic base shoulder rests
- Double loop straps

Standard Accessories

- Foam foot platform (23"/59cm × 7"/18cm)
- Non-slip wooden foot platform (23"/59cm × 7"/18cm)
- Black foot strap

*Optional Accessories

- Foam platform (23"/59cm × 9"/23 cm)
- Non-slip wooden platform (21"/53 × 11"/27cm)
- Sitting box



Clinic1-0011

CLINIC-1 SERIES STEEL CONSTRUCTION TREATMENT TABLES

Clinic-1 Series Treatment Tables combine classic steel construction and traditional upholstery with affordability to make them a very popular choice for an economical, durable treatment table.

Features:

- Gray, powder-coated, all-welded, steel frame
- Adjustable height levelers
- Pre-threaded hardware for easy assembly
- Paper dispenser included
- 2" of firm foam padding (5 cm)
- Rounded corner top
- Fast, easy assembly with basic tools
- 500 lbs. load capacity under normal use (227 kg)

CLINIC-1 SERIES STEEL CONSTRUCTION TREATMENT TABLES



H-Brace Steel Base Style Treatment Table

Model: 0000

- Rigid all steel frame
- 500 lbs. load capacity under normal use (227 kg)

0000	Length	Width	Height
CM	184cm	69cm/76cm	79cm
Inch	72.5"	27"/30"	31"



H-Brace Steel Base Style Treatment Table with Full Shelf

Model: 0010

- Rigid all steel frame
- Gray, laminate shelf
- 500 lbs. load capacity under normal use (227 kg)

0010	Length	Width	Height
CM	184cm	69cm/76cm	79cm
Inch	72.5"	27"/30"	31"



H-Brace Steel Base Style Treatment Table with Shelving

Model: 0020

- Rigid all steel frame
- Gray, laminate shelving
- 500 lbs. load capacity under normal use (227 kg)

0020	Length	Width	Height
CM	184cm	69cm/76cm	79cm
Inch	72.5"	27"/30"	31"



H-Brace Steel Base Style Treatment Table with Shelf & Two Drawers

Model: 2010

- Rigid all steel frame
- Gray laminate shelf & drawer unit
- 500 lbs. load capacity under normal use (227 kg)

2010	Length	Width	Height
CM	184cm	69cm/76cm	79cm
Inch	72.5"	27"/30"	31"

CLINIC-1 SERIES STEEL CONSTRUCTION TREATMENT TABLES



H-Brace Steel Base Style Treatment Table

Model: 0001

- Rigid all steel frame
- Adjustable backrest
- 500 lbs. load capacity under normal use (227 kg)

0001	Length	Width	Height
CM	184cm	69cm/76cm	79cm
Inch	72.5"	27"/30"	31"



H-Brace Steel Base Style Treatment Table with Full Shelf

Model: 0011

- Rigid all steel frame
- Adjustable backrest
- Gray, laminate shelf
- 500 lbs. load capacity under normal use (227 kg)

0011	Length	Width	Height
CM	184cm	69cm/76cm	79cm
Inch	72.5"	27"/30"	31"



H-Brace Steel Base Style Treatment Table with Shelving

Model: 0021

- Rigid all steel frame
- Adjustable backrest
- Gray, laminate shelving
- 500 lbs. load capacity under normal use (227 kg)

0021	Length	Width	Height
CM	184cm	69cm/76cm	79cm
Inch	72.5"	27"/30"	31"



H-Brace Steel Base Style Treatment Table with Shelf & Two Drawers

Model: 2011

- Rigid all steel frame
- Adjustable backrest
- Gray laminate shelf & drawer unit
- 500 lbs. load capacity under normal use (227 kg)

2011	Length	Width	Height
CM	184cm	69cm/76cm	79cm
Inch	72.5"	27"/30"	31"



Clinic2-2011

CLINIC-2 SERIES HARDWOOD LEG SUPPORT TREATMENT TABLES

Clinic-2 Series Hardwood Leg Support Treatment Tables are some of our most popular tables. Tough, sturdy 2 1 / 4" hardwood legs support bolted-frame construction for the ultimate in strength and durability in a wood, treatment table.

Features:

- Solid hardwood legs
- H-brace construction
- Pre-threaded hardware for easy assembly
- Paper dispenser included
- 2" of firm foam padding (5 cm)
- Rounded corner top
- Fast, easy assembly with basic tools
- 500 lbs. load capacity under normal use (227 kg)



Oak



Red Beech

CLINIC-2 SERIES HARDWOOD LEG SUPPORT TREATMENT TABLES



H-Brace, Hardwood Leg style, Flat Top, Treatment Table

Model: 0000

- Hardwood legs & H-brace construction
- 500 lbs. load capacity under normal use (227 kg)

0000	Length	Width	Height
CM	184cm/198cm	69cm/76cm	79cm
Inch	72.5"/78"	27"/30"	31"

 Beech  Oak



H-Brace, Hardwood Leg style, Flat Top, Treatment Table with Full Shelf

Model: 0010

- Hardwood legs & H-brace construction
- Full laminate shelf
- 500 lbs. load capacity under normal use (227 kg)

0010	Length	Width	Height
CM	184cm/198cm	69cm/76cm	79cm
Inch	72.5"/78"	27"/30"	31"

 Beech  Oak



H-Brace, Hardwood Leg style, Flat Top, Treatment Table with Shelving

Model: 0020

- Hardwood legs & H-brace construction
- Two-level Laminate shelving
- 500 lbs. load capacity under normal use (227 kg)

0020	Length	Width	Height
CM	184cm/198cm	69cm/76cm	79cm
Inch	72.5"/78"	27"/30"	31"

 Beech  Oak



H-Brace, Hardwood Leg style, Flat Top, Treatment Table with Shelf & Two Drawers

Model: 2010

- Hardwood legs & H-brace construction
- Laminate shelf & drawer unit
- 500 lbs. load capacity under normal use (227 kg)

2010	Length	Width	Height
CM	184cm/198cm	69cm/76cm	79cm
Inch	72.5"/78"	27"/30"	31"

 Beech  Oak

CLINIC-2 SERIES HARDWOOD LEG SUPPORT TREATMENT TABLES



H-Brace, Hardwood Leg style Treatment Table

Model: 0001

- Hardwood legs & H-brace construction
- Adjustable backrest
- 500 lbs. load capacity under normal use (227 kg)

0001	Length	Width	Height
CM	184cm/198cm	69cm/76cm	79cm
Inch	72.5"/78"	27"/30"	31"

 Beech  Oak



H-Brace, Hardwood Leg style, Treatment Table with Full Shelf

Model: 0011

- Hardwood legs & H-brace construction
- Adjustable backrest
- Full laminate shelf
- 500 lbs. load capacity under normal use (227 kg)

0011	Length	Width	Height
CM	184cm/198cm	69cm/76cm	79cm
Inch	72.5"/78"	27"/30"	31"

 Beech  Oak



H-Brace, Hardwood Leg style Treatment Table with Shelving

Model: 0021

- Hardwood legs & H-brace construction
- Adjustable backrest
- Two-level Laminate shelving
- 500 lbs. load capacity under normal use (227 kg)

0021	Length	Width	Height
CM	184cm/198cm	69cm/76cm	79cm
Inch	72.5"/78"	27"/30"	31"

 Beech  Oak



H-Brace, Hardwood Leg style Treatment Table with Shelf & Two Drawers

Model: 2011

- Hardwood legs & H-brace construction
- Adjustable backrest
- Laminate shelf & drawer unit
- 500 lbs. load capacity under normal use (227 kg)

2011	Length	Width	Height
CM	184cm/198cm	69cm/76cm	79cm
Inch	72.5"/78"	27"/30"	31"

 Beech  Oak

CLINIC-2 SERIES HARDWOOD LEG ATHLETIC TAPING TABLE

H-Brace Hardwood Leg Athletic Taping Table

Model: 0000T



- Hardwood legs & H-brace construction
- 440 lbs. load capacity under normal use (200 kg)

0000T	Length	Width	Height
CM	122cm	69cm/76cm	91cm
Inch	48"	27"/30"	36"

H-Brace, Hardwood Leg Athletic Taping Table with Lower Shelf

Model: 0010T



- Hardwood legs & H-brace construction
- Open lower shelf
- 440 lbs. load capacity under normal use (200 kg)

0010T	Length	Width	Height
CM	122cm	69cm/76cm	91cm
Inch	48"	27"/30"	36"

H-Brace, Hardwood Leg Athletic Taping Table with Upper Shelf

Model: 0010T2



- Hardwood legs & H-brace construction
- Open upper shelf
- 440 lbs. load capacity under normal use (200 kg)

0020T	Length	Width	Height
CM	122cm	69cm/76cm	91cm
Inch	48"	27"/30"	36"

H-Brace, Hardwood Leg Athletic Taping Table with Lower Shelf & End Shelf Cabinet

Model: 0020T



- Hardwood legs & H-brace construction
- Open lower shelf & end shelf cabinet
- 440 lbs. load capacity under normal use (200 kg)

0020T	Length	Width	Height
CM	122cm	69cm/76cm	91cm
Inch	48"	27"/30"	36"

Infant Padded Safety Surround 3-Panel Set

Model: Clinic2-Edge



- Durable PVC yet soft like PU
- Firm foam padding (1.5"/4cm)
- Fast and easy assembly

Clinic2-Edge	Panel 1	Panel 2	Panel 3
CM	122cm	69cm/76cm	69cm/76cm
Inch	48"	27"/30"	27"/30"



Clinic3-1421

CLINIC-3 SERIES CABINET STYLE TREATMENT TABLES

Clinic-3 Treatment Tables feature easy clean, flat panel, laminate surface, sleek, modern styling, and convenient storage space.

Features:

- All laminate construction
- Ample storage
- Bolt-through, pre-threaded hardware
- Chip-resistant, PVC edges
- Rounded corner top
- 2" of firm foam padding (5 cm)
- Adjustable doors with concealed soft-close hinges.
- Buffer close drawer doors.
- 420 lbs. load capacity.
- Black laminate plywood base.
- Optional Paper Roll Holder

Laminate Color:



CLINIC-3 SERIES CABINET STYLE TREATMENT TABLES



Cabinet Style Treatment Table with 3 Drawers & 6 Doors

Model: 3630

- Features 3 drawers, 3 storage compartments each with an adjustable shelf.

3630	Length	Width	Height
CM	198cm	69cm/76cm	79cm
Inch	78"	27"/30"	31"

Beech
 Oak
 Grey



Cabinet Style Treatment Table with 6 Drawers & 4 Doors

Model: 6420

- Features 6 drawers, 2 storage compartments each with an adjustable shelf.

6420	Length	Width	Height
CM	198cm	69cm/76cm	79cm
Inch	78"	27"/30"	31"

Beech
 Oak
 Grey



Cabinet Style Treatment Table with 3 Drawers & 4 Doors

Model: 3420

- Features 3 drawers, 2 storage compartments each with an adjustable shelf.

3420	Length	Width	Height
CM	198cm	69cm/76cm	79cm
Inch	78"	27"/30"	31"

Beech
 Oak
 Grey

CLINIC-3 SERIES CABINET STYLE TREATMENT TABLES



Cabinet Style Treatment Table with 3 Drawers & 2 Doors

Model: 3201

- Features 3 drawers, adjustable backrest, 1 storage compartments.

3201	Length	Width	Height
CM	198cm	69cm/76cm	79cm
Inch	78"	27"/30"	31"



Options:

Flat Table Top	Backrest Table Top/Cabinet Access		
	Left	Right	Both Sides
3200	3201L	3201R	3201B

Beech
 Oak
 Grey



Cabinet Style Treatment Table with 4 Drawers & 2 Doors

Model: 4211

- Features 4 drawers, adjustable backrest, 1 storage compartment with an adjustable shelf.

4211	Length	Width	Height
CM	198cm	69cm/76cm	79cm
Inch	78"	27"/30"	31"

Options:

Flat Table Top	Backrest Table Top/Cabinet Access		
	Left	Right	Both Sides
4210	4211L	4211R	4211B

Beech
 Oak
 Grey



CLINIC-3 SERIES CABINET STYLE TREATMENT TABLES



Cabinet Style Treatment Table with 4 Doors

Model: 0421

- Features 2 storage compartments each with an adjustable shelf.

0421	Length	Width	Height
CM	198cm	69cm/76cm	79cm
Inch	78"	27"/30"	31"



Options:

Flat Table Top	Backrest Table Top/Cabinet Access		
	Left	Right	Both Sides
0420	0421L	0421R	0421B

Beech
 Oak
 Grey



Cabinet Style Treatment Table with 2 Drawers & 4 Doors

Model: 2421

- Features 2 drawers, adjustable backrest, 2 storage compartments each with an adjustable shelf.

2421	Length	Width	Height
CM	198cm	69cm/76cm	79cm
Inch	78"	27"/30"	31"



Options:

Flat Table Top	Backrest Table Top/Cabinet Access		
	Left	Right	Both Sides
2420	2421L	2421R	2421B

Beech
 Oak
 Grey

CLINIC-3 SERIES CABINET STYLE TREATMENT TABLES



Cabinet Style Treatment Table with 4 sliding doors

Model: 0Y01

- Features an adjustable backrest, 4 sliding doors.

0Y21	Length	Width	Height
CM	198cm	69cm/76cm	79cm
Inch	78"	27"/30"	31"



Options:

Flat Table Top	Backrest Table Top
0Y00	0Y01

Beech
 Oak
 Grey



Cabinet Style Treatment Table with 3 Drawers & 2 Doors

Model: 3221

- Features 3 drawers, adjustable backrest, 1 storage compartments with an adjustable shelf.

3221	Length	Width	Height
CM	198cm	69cm/76cm	79cm
Inch	78"	27"/30"	31"



Options:

Flat Table Top	Backrest Table Top/Cabinet Access		
3220	Left	Right	Both Sides
	3221L	3221R	3221B

Beech
 Oak
 Grey

CLINIC-3 SERIES CABINET STYLE TREATMENT TABLES



Cabinet Style Treatment Table with 2 Drawers & 2 Doors

Model: 2221

- Features 2 drawers, adjustable backrest, 2 storage compartments each with an adjustable shelf.

2221	Length	Width	Height
CM	198cm	69cm/76cm	79cm
Inch	78"	27"/30"	31"



Options:

Flat Table Top	Backrest Table Top/Cabinet Access		
	2220	Left	Right
2221L		2221R	2221B

Beech
 Oak
 Grey



Cabinet Style Treatment Table with 2 Drawers

Model: 2001

- Features 2 drawers, adjustable backrest with open storage shelf.

2001	Length	Width	Height
CM	198cm	69cm/76cm	79cm
Inch	78"	27"/30"	31"



Options:

Flat Table Top	Backrest Table Top/Cabinet Access		
	2000	Left	Right
2001L		2001R	2001B

Beech
 Oak
 Grey

CLINIC-3 SERIES CABINET STYLE TREATMENT TABLES



Cabinet Style Treatment Table with 2 Drawers & 3 Doors

Model: 2321

- Features 2 drawers, adjustable backrest, 2 storage compartments each with an adjustable shelf.

2321	Length	Width	Height
CM	198cm	69cm/76cm	79cm
Inch	78"	27"/30"	31"



Options:

Flat Table Top	Backrest Table Top/Cabinet Access		
	2320	Left	Right
2321L		2321R	2321B

Beech
 Oak
 Grey



Cabinet Style Treatment Table with 1 Drawer & 4 Doors

Model: 1421

- Features 1 drawers, adjustable backrest, 2 storage compartments each with an adjustable shelf.

1421	Length	Width	Height
CM	198cm	69cm/76cm	79cm
Inch	78"	27"/30"	31"



Options:

Flat Table Top	Backrest Table Top/Cabinet Access		
	1420	Left	Right
1421L		1421R	1421B

Beech
 Oak
 Grey

CLINIC-3 SERIES CABINET STYLE TREATMENT TABLES



Cabinet Style Treatment Table with 1 Drawers

Model: 1001

- Features 2 drawers, adjustable backrest with open storage shelf.

1001	Length	Width	Height
CM	198cm	69cm/76cm	79cm
Inch	78"	27"/30"	31"



Options:

Flat Table Top	Backrest Table Top/Cabinet Access		
	1000	Left	Right
1001L		1001R	1001B

Beech
 Oak
 Grey



Cabinet Style Treatment Table with 3 Drawers & 2 Doors

Model: 3221

- Features 3 drawers, adjustable backrest, 1 storage compartments with an adjustable shelf and 1 open shelf.

3221	Length	Width	Height
CM	198cm	69cm/76cm	79cm
Inch	78"	27"/30"	31"

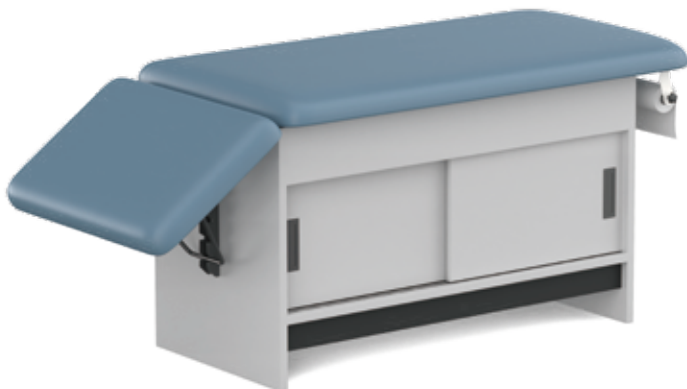


Options:

Flat Table Top	Backrest Table Top/Cabinet Access		
	3220	Left	Right
3221L		3221R	3221B

Beech
 Oak
 Grey

CLINIC-3 SERIES CABINET STYLE TREATMENT TABLES



Cabinet Style Treatment Table with 4 Sliding Doors

Model: 0Y03

- Features an adjustable leg support, 4 sliding doors, 1 storage compartments without shelf.

0Y03	Length	Width	Height
CM	198cm	69cm/76cm	79cm
Inch	78"	27"/30"	31"

Options:  Beech  Oak  Grey

Flat Table Top/Cabinet Access		
Left	Right	Both Sides
0Y03L	0Y03R	0Y03B



Cabinet Style Treatment Table with 4 Sliding Doors

Model: 0Y04

- Features an adjustable leg support, adjustable backrest, 4 sliding doors, 1 storage compartments without shelf.

0Y04	Length	Width	Height
CM	198cm	69cm/76cm	79cm
Inch	78"	27"/30"	31"

Options:  Beech  Oak  Grey

Backrest Table Top/Cabinet Access		
Left	Right	Both Sides
0Y04L	0Y04R	0Y04B



Cabinet Style Treatment Table with 2 Open Doors

Model: 0223

- Features an adjustable leg support, 2 open doors, 2 storage compartments with adjustable shelves.

0223	Length	Width	Height
CM	198cm	69cm/76cm	79cm
Inch	78"	27"/30"	31"

Options:  Beech  Oak  Grey

Flat Table Top/Cabinet Access		
Left	Right	Both Sides
0223L	0223R	0223B

CLINIC-3 SERIES CABINET STYLE TREATMENT TABLES

Cabinet Style Treatment Table with 2 Open Doors

Model: 0224

- Features an adjustable leg support, adjustable backrest, 2 open doors, 2 storage compartments with adjustable shelves.

0224	Length	Width	Height
CM	198cm	69cm/76cm	79cm
Inch	78"	27"/30"	31"

Options:  Beech  Oak  Grey

Flat Table Top/Cabinet Access		
Left	Right	Both Sides
0224L	0224R	0224B



Cabinet Style Treatment Table with 3 Drawers & 4 Doors

Model: 3421

- Features 3 drawers, adjustable backrest, 2 storage compartments each with an adjustable shelf.

3421	Length	Width	Height
CM	198cm	69cm/76cm	79cm
Inch	78"	27"/30"	31"

Options:  Beech  Oak  Grey

Flat Table Top	Backrest Table Top/Cabinet Access		
3420	Left	Right	Both Sides
	3421L	3421R	3421B



Cabinet Style Treatment Table with 4 Drawers & 2 Doors

Model: 4212

- Features 4 drawers, adjustable backrest, 1 storage compartments with an adjustable shelf.

4212	Length	Width	Height
CM	198cm	69cm/76cm	79cm
Inch	78"	27"/30"	31"

Options:  Beech  Oak  Grey

Backrest Table Top/Cabinet Access		
Left	Right	Both Sides
4212L	4212R	4212B





2115

CLINIC3 CABINET STYLE EXAMINATION TABLE

The Hemet Clinic3 series delivers comfort, affordability, and smart storage solutions, with user-friendly features tailored for clinics and private practices.

Features:

- All laminate construction
- Bolt-through, pre-threaded hardware
- Chip-resistant, PVC edges
- Rounded corner top
- 2" of firm foam padding (5 cm)
- Buffer close drawer doors

- Adjustable doors with concealed soft-close hinges
- 420 lbs. load capacity
- Black laminate plywood base.
- Optional Paper Roll Holder
- Coated, four position adjustable stirrups
- Handy, pull-out, welded steel, step stool
- Air-spring adjustable backrest from 0° to 70°

Laminate Color:



Oak



Red Beech



Gray

CLINIC3 CABINET STYLE EXAMINATION TABLE



Cabinet Style Exam Table with 2 Drawers & 1 Open Doors

Model: 2115

- Features 2 drawers, adjustable backrest, 4 position adjustable stirrups, 1 storage compartments with an adjustable shelf, a pull-out step stool.

2115	Length	Width	Height
CM	147cm	72cm	79cm
Inch	58"	28.5"	31"

Options:

Backrest Table Top/ Cabinet Access	Left	Right	Both Sides
Model	2115L	2115R	2115B

Beech
 Oak
 Grey



Cabinet Style Exam Table with 5 Drawers

Model: 5005

- Features 5 drawers, adjustable backrest, 4 position adjustable stirrups, a pull-out step stool.

5005	Length	Width	Height
CM	147cm	72cm	79cm
Inch	58"	28.5"	31"

Options:

Backrest Table Top/ Cabinet Access	Left	Right	Both Sides
Model	5005L	5005R	5005B

Beech
 Oak
 Grey





Clinic4-2011

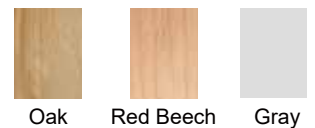
CLINIC-4 SERIES PANEL LEG TREATMENT TABLES

Clinic-4 Panel Leg Series Treatment Tables are ideal choice for exam rooms since its durable construction, easy to clean laminate surface and affordable price. |

Features:

- Sleek, easy-clean, panel leg design
- Fast and easy assembly
- Rounded corner top
- Chip-resistant, PVC edges
- Rounded corner top
- 2" of firm foam padding (5 cm)
- Adjustable backrest standard on all models
- 400 lbs. load capacity under normal use (181 kg)
- Optional Paper Roll Holder

Laminate Color:



CLINIC-4 SERIES PANEL LEG TREATMENT TABLES



Panel Leg Series Treatment Table

Model: 0001

- Knock down package
- Adjustable backrest with 6 settings of approximately: 27°, 36°, 43°, 50°, 55° & 60°
- Fast and easy assembly.
- Sleek, easy-clean, panel leg design

0001	Length	Width	Height
CM	183cm	69cm/76cm	79cm
Inch	72"	27"/30"	31"



Options:

Flat Table Top	Backrest Table Top
0000	0001

Beech
 Oak
 Grey



Panel Leg Treatment Table with Full Shelf

Model: 0011

- Knock down package
- Full shelf for storage
- Adjustable backrest with 6 settings of approximately: 27°, 36°, 43°, 50°, 55° & 60°
- Fast and easy assembly.
- Sleek, easy-clean, panel leg design

0011	Length	Width	Height
CM	183cm	69cm/76cm	79cm
Inch	72"	27"/30"	31"



Options:

Flat Table Top	Backrest Table Top
0010	0011

Beech
 Oak
 Grey

CLINIC-4 SERIES PANEL LEG TREATMENT TABLES



Panel Leg Treatment Table with Shelving

Model: 0021

- Knock down package
- Laminate shelf with tiered storage compartment
- Adjustable backrest with 6 settings of approximately: 27°, 36°, 43°, 50°, 55° & 60°
- Fast and easy assembly.
- Sleek, easy-clean, panel leg design

0021	Length	Width	Height
CM	183cm	69cm/76cm	79cm
Inch	72"	27"/30"	31"



Options:

Flat Table Top	Backrest Table Top
0020	0021

Beech
 Oak
 Grey



Panel Leg Treatment Table with Shelf & Two Drawers

Model: 2011

- Knock down package
- Laminate shelf & drawer unit
- Adjustable backrest with 6 settings of approximately: 27°, 36°, 43°, 50°, 55° & 60°
- Fast and easy assembly.
- Sleek, easy-clean, panel leg design

2011	Length	Width	Height
CM	183cm	69cm/76cm	79cm
Inch	72"	27"/30"	31"



Options:

Flat Table Top	Backrest Table Top
2010	2011

Beech
 Oak
 Grey



Clinic3-2001LH

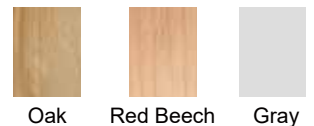
KID COUCH & RECOVERY COUCH & TREATMENT TABLES

Our kid couches and recovery couches feature easy clean, low height, sleek, modern styling, and convenient storage space.

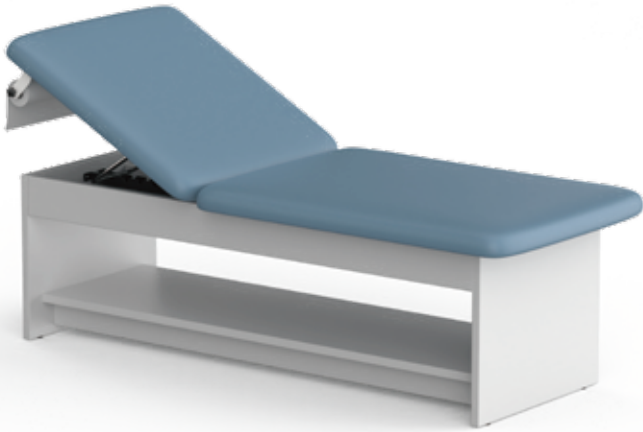
Features:

- Knock-down package
- Fast and easy assembly
- Bolt-through, pre-threaded hardware
- Chip-resistant, PVC edges
- 2" of firm foam padding (5 cm)
- Buffer close drawer doors
- Adjustable backrest with 6 settings of approximately: 27°, 36°, 43°, 50°, 55° & 60°
- 420 lbs. load capacity
- Scratch resistant laminate finish
- Optional Paper Roll Holder

Laminate Color:



KID COUCH & RECOVERY COUCH & TREATMENT TABLES

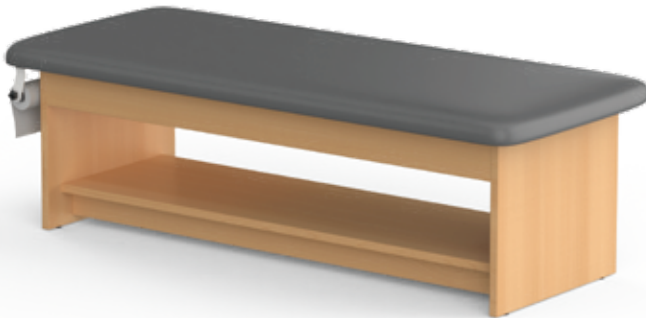


Clinic-4 Panel Leg Recovery Couch with Shelf

Model: Clinic4-0011LH

- Knock down package
- Adjustable backrest with 6 settings of approximately: 27°, 36°, 43°, 50°, 55° & 60°
- Fast and easy assembly.
- Sleek, easy-clean, panel leg design

0011-LH	Length	Width	Height
CM	183cm	68cm	55cm
Inch	72"	27"	21.5"



Options:

Flat Table Top	Backrest Table Top
0010-LH	0011-LH

Beech
 Oak
 Grey



Clinic-4 Panel Leg Recovery Couch with 4 Sliding Doors

Model: Clinic4-0Y01LH

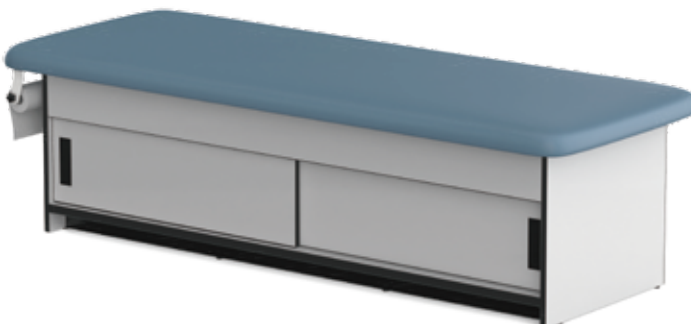
- Knock down package
- 4 sliding doors
- Adjustable backrest with 6 settings of approximately: 27°, 36°, 43°, 50°, 55° & 60°
- Fast and easy assembly.
- Sleek, easy-clean, panel leg design

0Y01-LH	Length	Width	Height
CM	183cm	68cm	51cm
Inch	72"	27"	20"

Options:

Flat Table Top	Backrest Table Top/Cabinet Access		
0Y00LH	Left	Right	Both Sides
	0Y01LH-L	0Y01LH-R	0Y01LH-B

Beech
 Oak
 Grey



KID COUCH & RECOVERY COUCH & TREATMENT TABLES



Clinic-4 Panel Leg Recovery Couch with Two Drawers

Model: Clinic4-2011LH

- Finished product packaging
- Laminate shelf & drawer unit
- Adjustable backrest with 6 settings of approximately: 27°, 36°, 43°, 50°, 55° & 60°
- Sleek, easy-clean, panel leg design

2011-LH	Length	Width	Height
CM	183cm	68cm	55cm
Inch	72"	27"	21.5"



Options:

Flat Table Top	Backrest Table Top/Cabinet Access		
	Left	Right	Both Sides
2010LH	2011LH-L	2011LH-R	2011LH-B

Beech
 Oak
 Grey



Clinic3 Cabinet Style Recovery Couch with Two Drawers

Model: Clinic3-2001LH

- Finished product packaging
- Two drawer units
- Adjustable backrest with 6 settings of approximately: 27°, 36°, 43°, 50°, 55° & 60°

0Y01-LH	Length	Width	Height
CM	183cm	61cm/68cm	51cm
Inch	72"	24"/27"	20"

Options:

Flat Table Top	Backrest Table Top/Cabinet Access		
	Left	Right	Both Sides
2000LH	2001LH-L	2001LH-R	2001LH-B

Beech
 Oak
 Grey



KID COUCH & RECOVERY COUCH & TREATMENT TABLES



Other V Shape Metal Leg Recovery Couch

Model: KC02

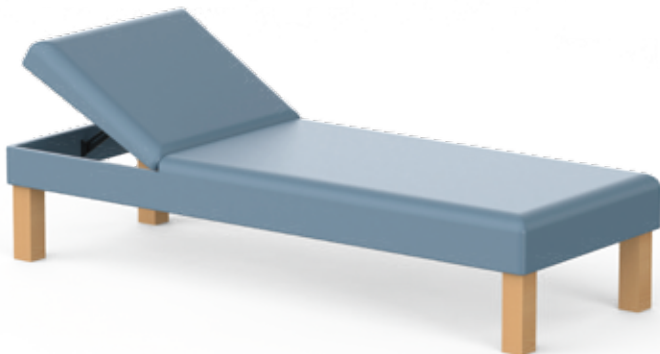
- Knock-down package
- Fast and easy assembly
- Black powder coating or chromed metal legs
- Adjustable backrest with 6 settings of approximately: 27°, 36°, 43°, 50°, 55° & 60°

KC02	Length	Width	Height
CM	183cm	61cm/68cm	51cm
Inch	72"	24"/27"	20"



Options:

Flat Table Top		Backrest Table Top	
Black Metal Leg	Chromed Metal Leg	Black Metal Leg	Chromed Metal Leg
KC01-BK	KC01-CR	KC02-BK	KC02-CR

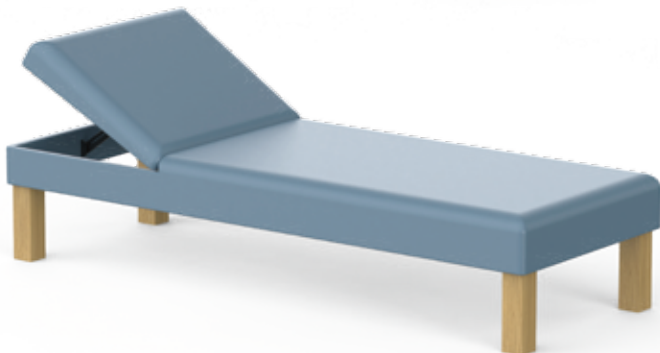


Other Solid Wood Leg Recovery Couch

Model: KC04

- Knock-down package
- Fast and easy assembly
- Beech wood or oak wood legs
- Adjustable backrest with 6 settings of approximately: 27°, 36°, 43°, 50°, 55° & 60°

KC04	Length	Width	Height
CM	183cm	61cm/68cm	51cm
Inch	72"	24"/27"	20"



Options:

Flat Table Top	Backrest Table Top
0010-LH	0011-LH

 Beech  Oak



Clinic5-5000

Clinic5-1210

Clinic5-1110

Clinic-5 Medical Cabinet

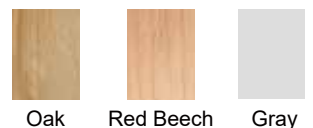
Clinic5 Medical Cabinet Series

A clean, durable, and space-efficient storage solution designed for modern clinics, therapy rooms, and wellness centers. Built with medical-grade materials and thoughtful ergonomics, the Clinic5 cabinet system keeps essential tools organized, accessible, and hygienically stored.

Key Features:

- **Medical-grade laminate panels** — scratch-resistant, easy-clean, and moisture-proof.
- **Soft-close drawers & doors** — smooth operation with reduced noise in clinical settings.
- **High-capacity storage** — optimized layout for instruments, supplies, and daily-use items.
- **Reinforced base & kick plate** — added stability and long-term durability.
- **Ergonomic handle design** — curved ABS handles for comfortable and safe grip.
- **Modular configurations** — multiple sizes and layouts to fit clinics, labs, and treatment rooms.
- **Seamless countertop** — easy sanitization, ideal for medical and wellness environments.

Laminate Color:



Oak

Red Beech

Gray

Clinic-5 Series Medical Cabinet



18" Treatment Cabinet with 1 Door

Model: Clinic5-0120

- Fully adjustable, soft-close hinge
- Two adjustable shelf
- Pre-assembled to save installation time

0120	Length	Width	Height
CM	45cm	46cm	96cm
Inch	18"	18"	37.8"



18" Treatment Cabinet with 1 Drawers and 1 Door

Model: Clinic5-1110

- Fully adjustable, soft-close hinge
- Two adjustable shelf
- One adjustable shelf
- Pre-assembled to save installation time

1110	Length	Width	Height
CM	45cm	46cm	96cm
Inch	18"	18"	37.8"



18" Treatment Cabinet with 2 Drawers and 1 Door

Model: Clinic5-2100

- Fully adjustable, soft-close hinge
- Smooth-glide drawer
- Pre-assembled to save installation time

2100	Length	Width	Height
CM	45cm	46cm	96cm
Inch	18"	18"	37.8"



18" Treatment Cabinet with 5 Drawers

Model: Clinic5-5000

- Smooth-glide drawer
- Pre-assembled to save installation time

5000	Length	Width	Height
CM	45cm	46cm	96cm
Inch	18"	18"	37.8"

Clinic-5 Series Medical Cabinet



24" Treatment Cabinet with 2 Doors

Model: Clinic5-0220

- Fully adjustable, soft-close hinge
- Two adjustable shelf
- Pre-assembled to save installation time

0220	Length	Width	Height
CM	60cm	46.5cm	96cm
Inch	24"	18.5"	37.8"



24" Treatment Cabinet with 1 Drawers and 2 Doors

Model: Clinic5-1210

- Fully adjustable, soft-close hinge
- One adjustable shelf
- Smooth-glide drawer
- Pre-assembled to save installation time

1210	Length	Width	Height
CM	60cm	46.5cm	96cm
Inch	24"	18.5"	37.8"



24" Treatment Cabinet with 2 Drawers and 2 Doors

Model: Clinic5-2200

- Fully adjustable, soft-close hinge
- Two adjustable shelf
- Smooth-glide drawer
- Pre-assembled to save installation time

2200	Length	Width	Height
CM	60cm	46.5cm	96cm
Inch	24"	18.5"	37.8"



24" Treatment Cabinet with 5 Drawers

Model: Clinic5-5000

- Smooth-glide drawer
- Pre-assembled to save installation time

5000	Length	Width	Height
CM	60cm	46.5cm	96cm
Inch	24"	18.5"	37.8"



SPORTS CABINET TAPING TREATMENT STATION

Sports Cabinet Taping Treatment Station

Model: Athletic-2010

- Knock down package
- Two open doors with laminate shelf
- Fast and easy assembly

*The seat cushion is detachable and needs to be purchased separately.

2010	Length	Depth	Height
CM	60cm	91cm	91cm
Inch	23.6"	36"	36"

Options:

Beech
 Oak
 Grey



Cabinet Body



Easy to install seat cushion



After installation



Model: RTL

REHABILITATION EQUIPMENT



Model: RTF

Rehabilitation Equipment

Thera Lift Bariatric Power Hi-Lo Rehabilitation Mat Table

Model: RTL



Specifications

• Table Top Dimension	183cm*122cm / 6'*4' 213cm*122cm / 7'*4' 213cm*152cm / 7'*5' 244cm*183cm / 8'*6'
• Height Range	50cm-75cm / 19.5"-29.5"
• Weight Capacity	800kgs / 1762 lbs
• Lifting Capacity	800kgs / 1762 lbs

Features

- Steel Metal base
- Open-Base design
- 4 German brand synchronous motors with super power
- Durable PVC vinyl upholstery
- Convenient foot control

Thera Lift Bariatric Power Hi-Lo Rehab Therapy Table w/ Shelf & Flat Top

Model: RTL



Specifications

• Table Top Dimension	183cm*76cm / 72"*30"
• Height Range	50cm-75cm / 19.5"-29.5"
• Weight Capacity	800kgs / 1762 lbs
• Lifting Capacity	800kgs / 1762 lbs

Features

- Steel Metal base
- Open-Base with shelf
- 4 German brand synchronous motors with super power
- Durable PVC vinyl upholstery
- Convenient foot control

Thera Fix Bariatric Rehabilitation Mat Table

Model: RTF



Specifications

• Table Top Dimension	183cm*122cm / 6'*4' 213cm*122cm / 7'*4' 213cm*152cm / 7'*5' 244cm*183cm / 8'*6'
• Fix Height	45cm / 18"
• Weight Capacity	272kgs / 600 lb

Features

- Beech/Walnut solid wood frame
- 6-leg design w/ center support for stability
- Open-Base design
- 2" high density foam
- Durable PVC vinyl upholstery



#8104W Staircase



#8205W Staircase

TRAINING STAIRCASE



One-Sided Staircase

Specification

• Step	30"/76cm*10"/25cm*6"/15cm
• Overall Size	34"/86cm* 56"/142cm*59.5"/151cm
• Workload	500 lbs

Features

- Solid wood handrails
- All hardwood plywood base
- Anti slip foot pad
- PVC edge tape
- Powder-coated, 2" x 2" steel uprights
- Brace reinforced underside
- Requires a minimum 9' ceiling



Two-Sided High Low Staircase

Specification

• Step1	30"/76cm*10"/25cm*6"/15cm
• Step2	30"/76cm*10"/25cm*4"/10cm
• Overall Size	34"/86cm* 54"/137cm*48"/122cm
• Workload	500 lbs

Features

- Solid wood handrails
- All hardwood plywood base
- Anti slip foot pad
- PVC edge tape
- Powder-coated, 2" x 2" steel uprights
- Brace reinforced underside
- Requires a minimum 8' ceiling



#8104W Staircase



#8205W Staircase

TRAINING STAIRCASE



One-Sided Staircase

Specification

• Step	30"/76cm*10"/25cm*6"/15cm
• Overall Size	34"/86cm* 56"/142cm*59.5"/151cm
• Workload	500 lbs

Features

- Solid wood double layer handrails
- All hardwood plywood base
- Anti slip foot pad
- PVC edge tape
- Powder-coated 2" x 2" steel uprights
- Brace reinforced underside
- Requires a minimum 9' ceiling



Two-Sided High Low Staircase

Specification

• Step1	30"/76cm*10"/25cm*6"/15cm
• Step2	30"/76cm*10"/25cm*4"/10cm
• Overall Size	34"/86cm* 54"/137cm*48"/122cm
• Workload	500 lbs

Features

- Solid wood double layer handrails
- All hardwood plywood base
- Anti slip foot pad
- PVC edge tape
- Powder-coated 2" x 2" steel uprights
- Brace reinforced underside
- Requires a minimum 8' ceiling



#8207W-2 Staircase

TRAINING STAIRCASE

Convertible Space Saver Training Staircase

Specification

• Step1	36"/91cm*10"/25cm*6"/15cm
• Step2	36"/91cm*10"/25cm*4"/10cm
• Linear Staircase Size	36"/91cm* 86"/218cm*49"/124cm
• L-shaped Staircase Size	66"/167cm* 56"/142cm*49"/124cm

Features

- Solid wood double layer handrails
- Three 6" H x 36" W steps on one end
- Four 4" H x 36" W steps on the other end
- 36" x 36" x 18" high platform
- All hardwood plywood base
- PVC edge tape
- Powder-coated
- 2" x 2" steel uprights
- Brace reinforced underside
- Requires a minimum 9' ceiling



Users can freely combine them into straight or L-shaped stairs according to their needs and decide whether to install them on the left or right.





#8313W Staircase



#8204N Staircase

TRAINING STAIRCASE

3-in-1 Training Staircase

Specification

• Step1	36"/91cm*10"/25cm*8"/20cm
• Step2	36"/91cm*10"/25cm*6"/15cm
• Step3	36"/91cm*10"/25cm*4"/10cm
• Platform	36"/91cm*36"/91cm*24"/60cm
• Staircase Size	116"/295cm*56"/142cm*55"/139cm

Features

- Solid wood handrails
- Powder-coated
- 2" x 2" steel uprights
- Yellow edging on all curbs
- All hardwood plywood base
- Brace reinforced underside
- Requires a minimum 10' ceiling
- Anti-slip safety matting on top surface of ramp and curb set



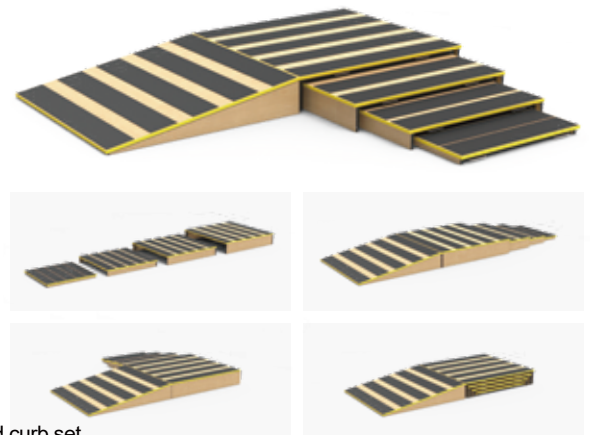
Ramp & Curb Set

Specification

• Curb1	40"/102cm*40"/102cm*6"/15cm
• Curb2	36"/91cm*36"/91cm*4"/10cm
• Curb3	32"/81cm*32"/81cm*2"/5cm
• Flat Platform	44"/112cm*44"/112cm
• Ramp	8"/20cm*44"/112cm

Features

- Separated curbs can be set up to extend in any of 3 directions
- Nestable storage step unit
- Yellow edging on all curbs
- Facilitates ambulation and patient mobility training on ramp and curbs
- All hardwood plywood base
- Anti-slip safety matting on top surface of ramp and curb set





#8205M Staircase

KNOCK DOWN PACKAGE STAIRCASE

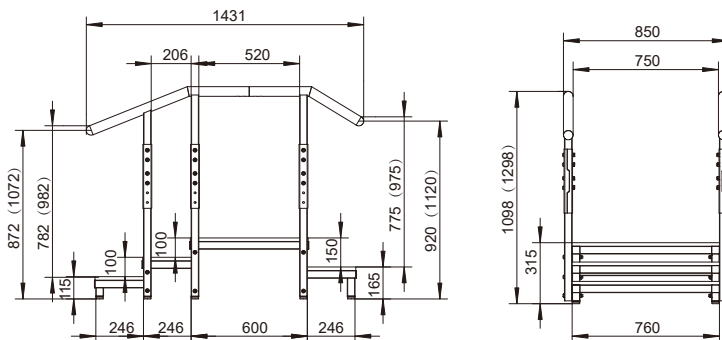
KD Rehab Stairs

Specification

• Step 1	30"/76cm*10"/25cm*6"/15cm
• Step 2	30"/76cm*10"/25cm*4"/10cm
• Handrail Height	31"/78cm~38.5/98cm
• Overall Size	33.5"/85cm*56"/143cm
• Workload	500lbs
• Package Size	30"/78cm*24.5"/62cm*12.6"/32cm

Features

- 1.6"*1.6" steel frame
- Powder-coated
- Knock-down package
- OSB fiber board step
- PVC edge tape
- Height adjustable feet





#8212W Staircase

CONVERTIBLE REHAB STAIRCASE



Users can freely combine them into straight or L-shaped stairs according to their needs and decide whether to install them on the left or right side, and the packaging volume is small.

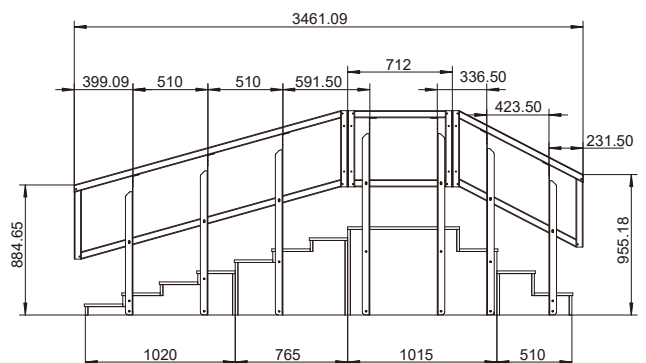
Convertible Rehab Staircase

Specification

• Step1	30"/76cm*10"/25cm*6"/15cm
• Step2	30"/76cm*10"/25cm*4"/10cm
• Linear Staircase Size	34"/86cm* 130"/330cm*55"/139cm
• L-shaped Staircase Size	60"/153cm* 100"/255cm

Features

- Solid wood double layer handrails
- All hardwood plywood base
- Anti slip foot pad
- PVC edge tape
- Powder-coated,
- 2" x 2" steel uprights
- Brace reinforced underside
- Requires a minimum 10' ceiling





Model: MTM

PHYSICAL THERAPY EQUIPMENT

Physical Therapy Mobile Treatment Mirror



Specifications

• Size	W 26.5"/67cm*H 72"/183
• Mirror only	1790*580*5 mm
• Color	Grey
• Package	1910*700*120 mm (KD Package)
• Net Weight	35 KG
• Gross Weight	41 KG

Features

- With 2" Dual-Braked Swivel Castors on Leg Base for Mobility
- Offers Clear & Distortion-Free Image for Therapy
- Made from High-Quality Plate Glass Material
- 5mm Thick Mirror with an explosion-proof film Mounted in a 18cm Plywood Frame



Specifications

• Size	W 26.5"/67cm*H 72"/183
• Mirror only	1790*580*5mm
• Color	Red Beech
• Package	1910*700*120 mm (KD Package)
• Net Weight	35 KG
• Gross Weight	41 KG

Features

- With 2" Dual-Braked Swivel Castors on Leg Base for Mobility
- Offers Clear & Distortion-Free Image for Therapy
- Made from High-Quality Plate Glass Material
- 5mm Thick Mirror with an explosion-proof film Mounted in a 18cm Plywood Frame



Model: WRM

PHYSICAL THERAPY EQUIPMENT

Element Weight Rack with Mirror



Specifications

• Size	L 31.5"/80cm*W 18"/46cm*H 72"/183cm
• Mirror only	1600*570*5mm
• Color	Grey
• Package	1880*880*210 mm (KD Package)
• Net Weight	98 KG
• Gross Weight	105 KG

Features

- With 3" Dual-Braked Swivel Casters for Easy Movement
- Easy-to clean Laminate Plywood Frame
- Holds and Stores Various Exercise Equipment
- 6 independent, quick-changing positions for holding different exercise band
- 22 Angled Dumbbell Rods
- Holds up to 48 cuff weights, 22 dumbbells, 6 rolls of exercise band



Specifications

• Size	L 31.5"/80cm*W 18"/46cm*H 72"/183cm
• Mirror only	1600*570*5mm
• Color	Red Beech
• Package	1880*880*210 mm (KD Package)
• Net Weight	98 KG
• Gross Weight	105 KG

Features

- With 3" Dual-Braked Swivel Casters for Easy Movement
- Easy-to clean Laminate Plywood Frame
- Holds and Stores Various Exercise Equipment
- 6 independent, quick-changing positions for holding different exercise band
- 22 Angled Dumbbell Rods
- Holds up to 48 cuff weights, 22 dumbbells, 6 rolls of exercise band



Model: CWR

PHYSICAL THERAPY EQUIPMENT

Element Cabinet Rac Weight Rack

Specifications

• Size	L 29"/73.6cm*W 23"/58.4cm*H 62"/157.5cm
• Color	Grey
• Package	1530*830*470 mm (KD Package)
• Net Weight	105 KG
• Gross Weight	115 KG

Features

- Versatile, Multi-item Storage Cabinet with 2 doors
- With 3" Dual-Braked Swivel Casters for Easy Movement
- Holds and Stores Various Weight Racks
- 6 independent, quick-changing positions for holding different exercise band
- 22 Angled Dumbbell Rods
- Holds up to 48 cuff weights, 22 dumbbells, 6 rolls of exercise band
- 4 Shelves (3 adjustable, 1 fixed)

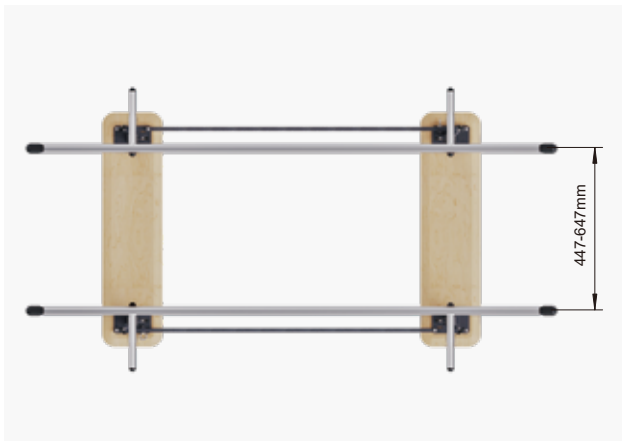




Model: FPB

REHABILITATION EQUIPMENT

Adjustable Folding Parallel Bar-7 Feet

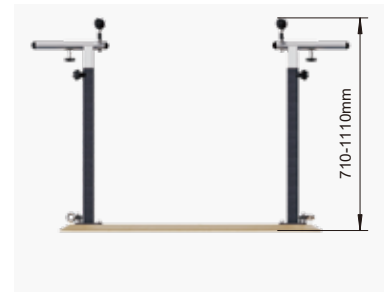
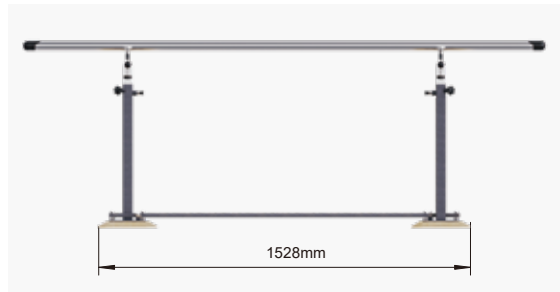
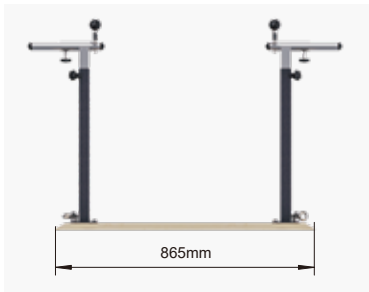


Specifications

• Size	7'/213cm Length
• Width Adjustment	17.6"/44.7cm - 25.5"/64.7 cm
• Height Adjustment	28"71 cm - 43.7"/111 cm
• Package	1530*830*470 mm (KD Package)
• Net Weight	64 KG
• Gross Weight	72 KG

Features

- Width Adjustable Floor Folding Parallel Bars
- With Double Stiffening Rails
- With Adjustable Stainless Steel Handrails
- Easy Height Adjustment with Numbered Height Strip
- Heavy Duty, Square Telescoping Steel Uprights





Model: MPB3-GR

REHABILITATION EQUIPMENT

3'/36" Height Adjustable Parallel Bars

Specifications

• Length	36"/91.5cm
• Width	36"/91.5cm
• Height	26"/65 cm - 37"/95 cm
• Package	920*920*150 mm/36"x36"x6"
• Net Weight	32 KG

Features

- Laminate platform with safety treads
- Adjustable height stainless steel support handrails
- Platform is 36"/91cm wide



MPB3-GR



MPB3-BC



Model: MPB7-GR

REHABILITATION EQUIPMENT

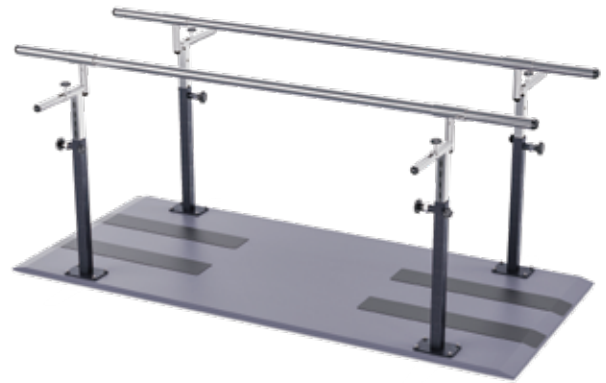
7/8" Height and Width Adjustable Parallel Bars

Specifications

• Length	7'213cm
• Width	14"/36 cm - 27"/69 cm
• Height	30"/76 cm - 42"/106 cm
• Package	2150*920*180 mm/85"x36"x7.1"
• Net Weight	56 KG

Features

- Laminate platform with tapered ends
- Height and width adjustable bars
- 1 1/2" diameter stainless steel handrails
- Weight Capacity: 350 lbs/158kg
- Platform is 36"/91cm wide



MPB7-GR



MPB7-BC



Model: MPB10-GR

REHABILITATION EQUIPMENT

10' Height and Width Adjustable Parallel Bars

Specifications

• Length	10'/305cm
• Width	22"/56 cm - 35"/89 cm
• Height	30"/76 cm - 42"/106 cm
• Package	1540*1150*200 mm/61"x45"x8"
• Net Weight	89 KG

Features

- Laminate platform with tapered ends
- Height and width adjustable bars
- 1 1/2" diameter stainless steel handrails
- Weight Capacity: 350 lbs/158kg
- Platform is 45"/114cm wide



MPB10-GR



MPB10-BC



Model: DPB10-GR

REHABILITATION EQUIPMENT

10' Combination Adult-Child Parallel Bars

Specifications

• Length	10'/305cm
• Width	11"/28 cm - 25"/64 cm
• Adult Bar Height	30"/76 cm - 42"/106 cm
• Child Bar Height	19"/48 cm - 30"/75 cm
• Package	1540*1100*200 mm/61"x43"x8"
• Net Weight	88 KG

Features

- Laminate platform with tapered ends
- Adjustable height adult Bar and child's Bar
- 1 1/2" diameter stainless steel handrails
- Weight Capacity: 350 lbs/158kg
- Platform is 36"/91cm wide



DPB10-GR



DPB10-BC



Model: MPB7-FM



Model: MPB10-FM

REHABILITATION EQUIPMENT

7' Height and Width Adjustable Floor Mounted Parallel Bars

Specifications

• Length	7'/213cm
• Width	14"/36 cm - 27"/69 cm
• Height	29"/74 cm - 41"/104 cm
• Package	2150*360*190 mm/85"x14"x7.5"
• Net Weight	26.3 KG



Features

- Floor-mounted uprights with mounting plates
- Height and width adjustable bars
- 1 1/2" diameter stainless steel handrails
- Weight Capacity: 350 lbs/158kg

10' Height and Width Adjustable Floor Mounted Parallel Bars

Specifications

• Length	10'/305cm
• Width	22"/56 cm - 35"/89 cm
• Height	30"/76 cm - 42"/106 cm
• Package	1520*1150*160 mm/60"x45"x6"
• Net Weight	36 KG



Features

- Floor-mounted uprights with mounting plates
- Height and width adjustable bars
- 1 1/2" diameter stainless steel handrails
- Weight Capacity: 350 lbs/158kg

IFIS 怡飞仕 BEAUTY

Support you, Define you.

IFIS Spa Facial Chairs are designed to meet the versatile needs of spa treatments, medical examinations, and cosmetic procedures, making them ideal for day spas, estheticians, and beauty professionals. With a focus on ergonomic design and advanced quality, IFIS ensures optimal comfort for clients and enhanced efficiency for practitioners.

We use superior materials and provide dependable after-sales service at reasonable prices, empowering estheticians and beauty experts to deliver exceptional care. Our mission is to elevate the spa treatment experience for clients while helping salons and clinics minimize operational costs.

At IFIS, we maintain a forward-thinking and innovative philosophy, breaking traditional boundaries to continuously deliver fresh, functional, and user-friendly designs.



FACIAL CHAIR SERIES



Katia Series

Economic Range

Hydraulic Height Adjustable
Pneumatic Control Tilting Backrest
Pneumatic Control Leg Rest



Sonora Series

Middle Range

Electric Height Adjustable
Electric Tilting Backrest
Electric Tilting Leg Rest
Electric Table Inclination



Azzura Series

Medium High

Electric Height Adjustable
Electric Tilting Backrest
Electric Tilting Leg Rest
Electric Table Inclination
Seat Rotation
Reset and Memory System



Luco Series

Medium High

Electric Height Adjustable
Electric Tilting Backrest
Electric Tilting Leg Rest
Electric Table Inclination
Seat Rotation



Otto Series

Medium High

Electric Height Adjustable
Electric Tilting Backrest
Electric Tilting Leg Rest
Electric Table Inclination Seat
Seat Rotation



Parker Series

High Range

Electric Height Adjustable
Electric Tilting Backrest
Electric Tilting Leg Rest
Electric Table Inclination Seat



Morley Series

High Range

Electric Height Adjustable
Electric Tilting Backrest
Electric Tilting Leg Rest
Electric Table Inclination Seat
Seat Rotation



Taylor Series

High Range

Electric Height Adjustable
Electric Tilting Backrest
Electric Tilting Leg Rest
Electric Table Inclination
Seat Rotation
Memory System



TT Series

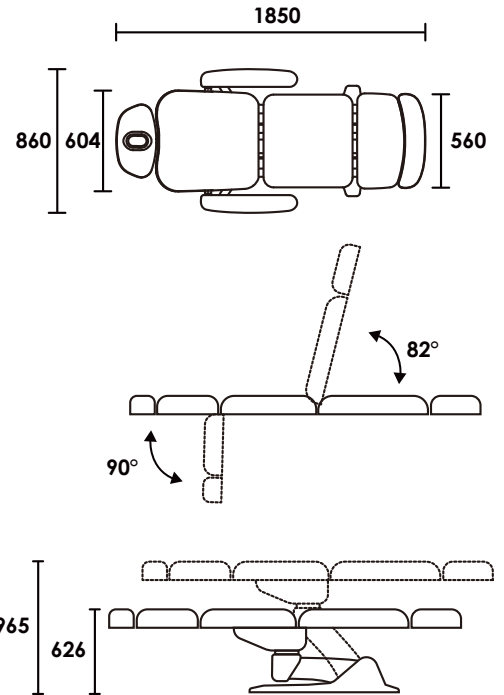
High Range

Electric Height Adjustable
Electric Tilting Backrest
Electric Tilting Leg Rest
Electric Table Inclination
Memory System

Azzura Series



Azzura-330



Specification:

- Length: : 72.8"/185cm
- Width: 23.6"/60cm (34"/86cm including side armrest)
- Height: 24"/61cm-37.5"/95m
- Working Capacity: 440lbs/200kg
- Product Weight: 165lbs/75kg
- Gross Weight: 194lbs/88kg
- Package Size: 55"/140cmx31.5"/80cmx25.5"/65cm

Features:

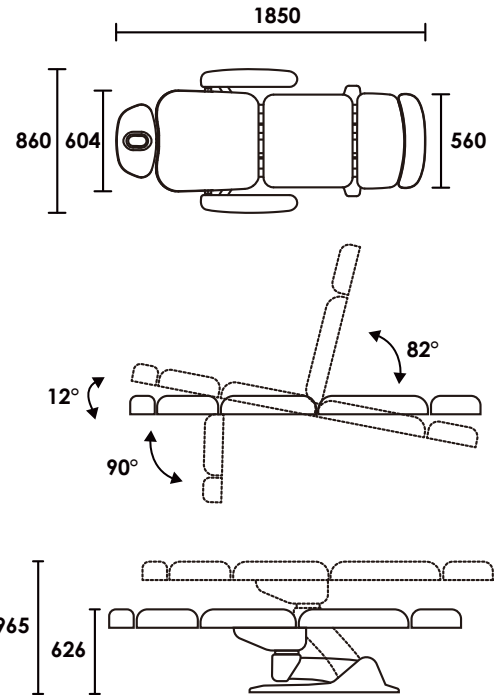
- Electric height adjustment
- Electric tilting backrest 0°~82° angle adjustment
- Electric tilting legrest 0~90° angle adjustment
- Removable leveled side armrests
- Durable PVC yet soft like PU
- Luxious 3.5"/8.7cm foam padding
- Removable and adjustable neck/face pillow

Azzura-330FC

Tip: Stirrups weigh 15lbs/ 6.8kg



Azzura-340



Specification:

- Length: 72.8"/185cm
- Width: 23.6"/60cm(34"/86cm including side armrest)
- Height: 24"/61cm-37.5"/95m
- Working Capacity: 440lbs/200kg
- Product Weight: 174lbs/79kg
- Gross Weight: 203lbs/92kg
- Package Size: 55"/140cmx31.5"/80cmx25.5"/65cm

Features:

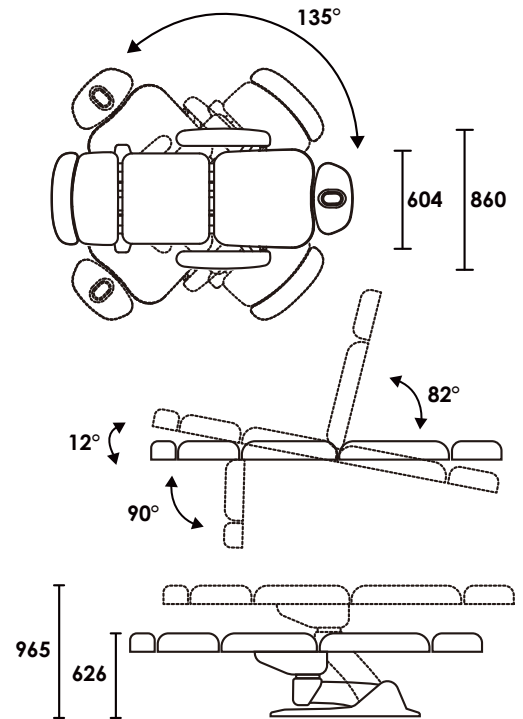
- Electric height adjustment
- Electric tilting backrest 0°~82° angle adjustment
- Electric tilting legrest 0~90° angle adjustment
- Electric table Inclination 0°-12°Hand Controller
- Memory System
- Removable leveled side armrests
- Durable PVC yet soft like PU
- Luxurious 3.5"/8.7cm foam padding
- Removable and adjustable neck/face pillow

Azzura-340FC

Tip:Stirrups weigh 15lbs/ 6.8kg



Azzura-370



Specification:

- Length: 72.8"/185cm
- Width: 23.6"/60cm(34"/86cm including side armrest)
- Height: 24"/61cm-37.5"/95m
- Working Capacity: 440lbs/200kg
- Product Weight: 174lbs/79kg
- Gross Weight: 203lbs/92kg
- Package Size: 55"/140cmx31.5"/80cmx25.5"/65cm

Features:

- Electric height adjustment
- Electric tilting backrest 0°~82° angle adjustment
- Electric tilting legrest 0~90° angle adjustment
- Electric table Inclination 0°-12°
- Table top rotation: ± 135°
- Hand Controller
- Memory System
- Removable leveled side armrests
- Durable PVC yet soft like PU
- Luxurious 3.5"/8.7cm foam padding
- Removable and adjustable neck/face pillow

Azzura-370FC

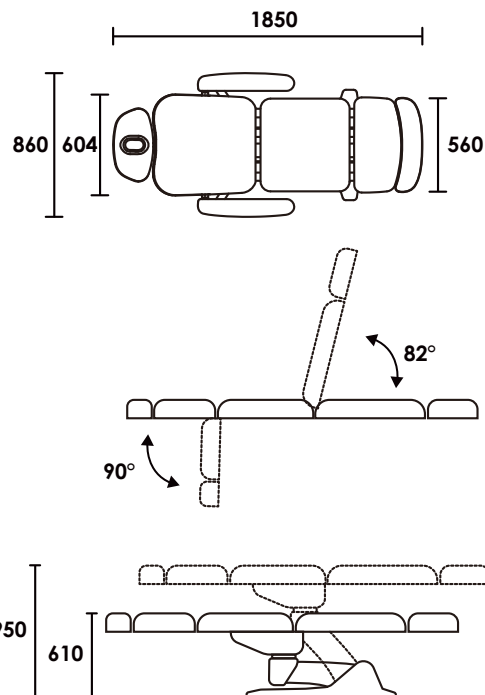
Tip: Stirrups weigh 15lbs/ 6.8kg



Luco Series



Luco-331



Specification:

- Length: : 72.8"/185cm
- Width: 23.6"/60cm (34"/86cm including side armrest)
- Height: 24"/61cm-37.5"/95m
- Working Capacity: 440lbs/200kg
- Product Weight: 165lbs/75kg
- Gross Weight: 194lbs/88kg
- Package Size: 55"/140cmx31.5"/80cmx25.5"/65cm

Features:

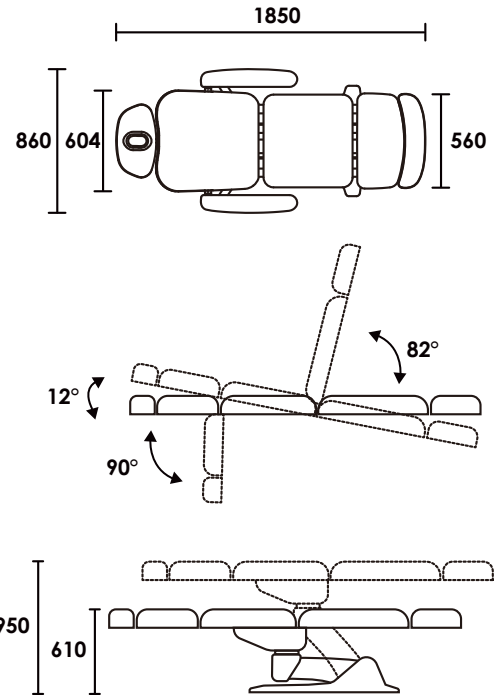
- Electric height adjustment
- Electric tilting backrest 0°~82° angle adjustment
- Electric tilting legrest 0~90° angle adjustment
- Removable leveled side armrests
- Durable PVC yet soft like PU
- Luxious 3.5"/8.7cm foam padding
- Removable and adjustable neck/face pillow

Luco-331FC

Tip: Stirrups weigh 15lbs/ 6.8kg



Luco-341



Specification:

- Length: 72.8"/185cm
- Width: 23.6"/60cm (34"/86cm including side armrest)
- Height: 24"/61cm-37.5"/95m
- Working Capacity: 440lbs/200kg
- Product Weight: 174lbs/79kg
- Gross Weight: 203lbs/92kg
- Package Size: 55"/140cmx31.5"/80cmx25.5"/65cm

Features:

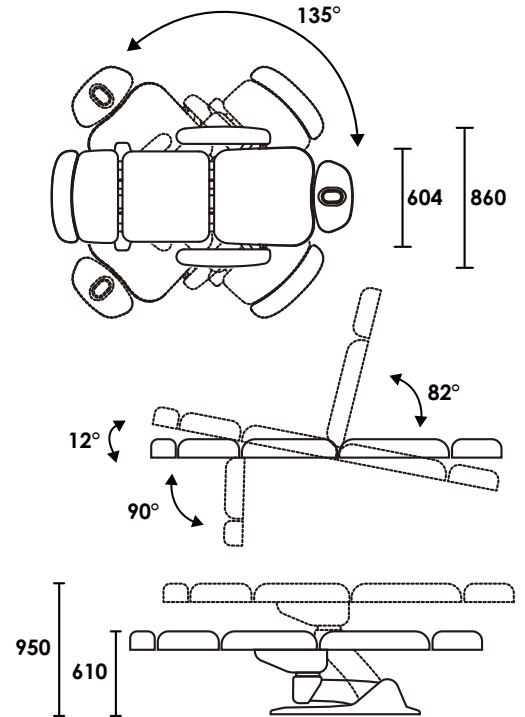
- Electric height adjustment
- Electric tilting backrest 0°~82° angle adjustment
- Electric tilting legrest 0~90° angle adjustment
- Electric table Inclination 0°-12° Hand Controller
- Memory System
- Removable leveled side armrests
- Durable PVC yet soft like PU
- Luxious 3.5"/8.7cm foam padding
- Removable and adjustable neck/face pillow

Luco-341FC

Tip: Stirrups weigh 15lbs/ 6.8kg



Luco-371



Specification:

- Length: 72.8"/185cm
- Width: 23.6"/60cm (34"/86cm including side armrest)
- Height: 24"/61cm-37.5"/95m
- Working Capacity: 440lbs/200kg
- Product Weight: 174lbs/79kg
- Gross Weight: 203lbs/92kg
- Package Size: 55"/140cmx31.5"/80cmx25.5"/65cm

Features:

- Electric height adjustment
- Electric tilting backrest 0°~82° angle adjustment
- Electric tilting legrest 0~90° angle adjustment
- Electric table Inclination 0°-12°
- Table top rotation: ± 135°
- Hand Controller
- Memory System
- Removable leveled side armrests
- Durable PVC yet soft like PU
- Luxious 3.5"/8.7cm foam padding
- Removable and adjustable neck/face pillow

Luco-371FC

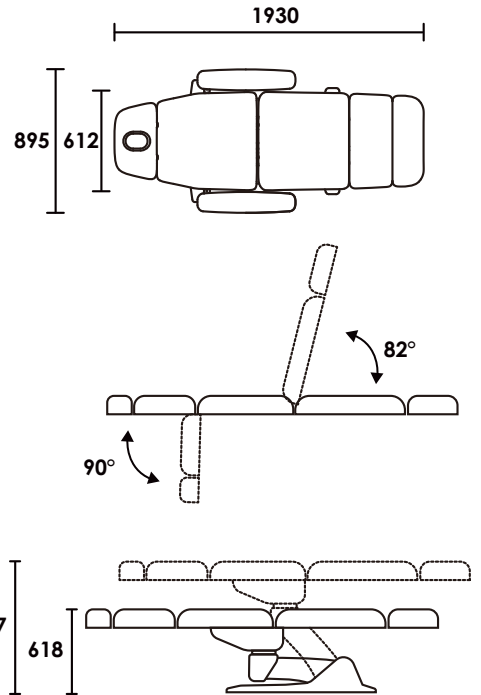
Tip: Stirrups weigh 15lbs/ 6.8kg



Otto Series



Otto-332



Specification:

- Length: 76"/193cm
- Width: 24"/61cm (34.5"/87cm including side armrest)
- Height: 24"/61cm-37.5"/95cm
- Working Capacity: 440lbs/200kg
- Product Weight: 165lbs/75kg
- Gross Weight: 194lbs/88kg
- Package Size: 55"/140cmx31.5"/80cmx25.5"/65cm

Features:

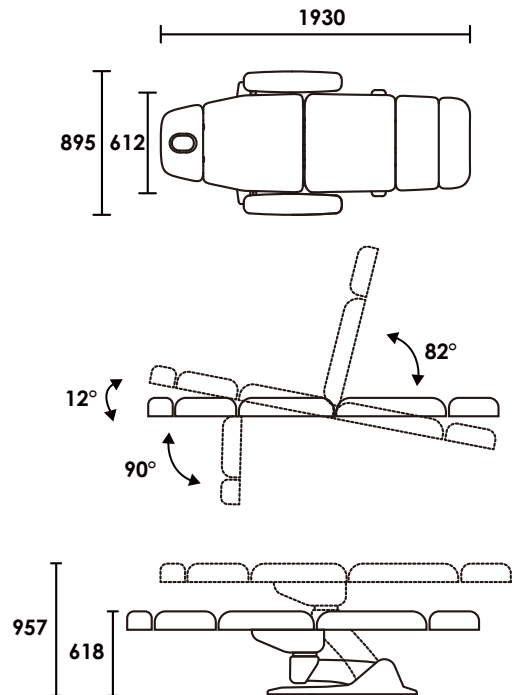
- Electric height adjustment
- Electric tilting backrest 0°~82° angle adjustment
- Electric tilting legrest 0~90° angle adjustment
- Removable leveled side armrests
- Durable PVC yet soft like PU
- Luxurious 3.5"/8.7cm foam padding
- Removable neck/face pillow

Otto-332FC

Tip: Stirrups weigh 15lbs/ 6.8kg



Otto-342



Specification:

- Length: : 76"/193cm
- Width: 24"/61cm (34.5"/87cm including side armrest)
- Height: 24"/61cm-37.5"/95m
- Working Capacity: 440lbs/200kg
- Product Weight: 174lbs/79kg
- Gross Weight: 203lbs/92kg
- Package Size: 55"/140cmx31.5"/80cmx25.5"/65cm

Features:

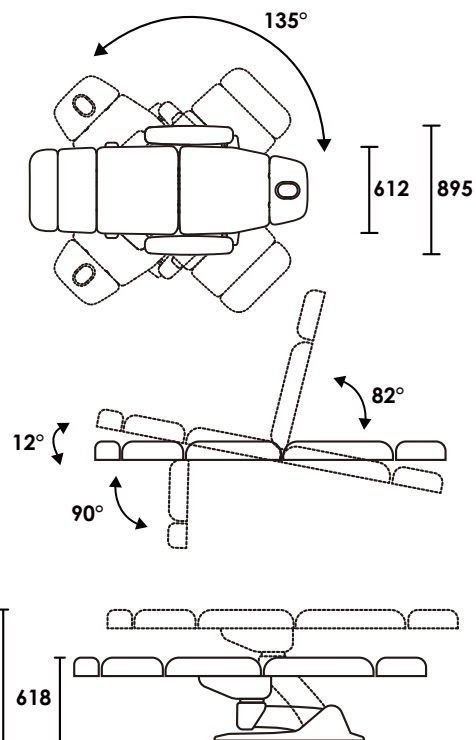
- Electric height adjustment
- Electric tilting backrest 0°~82° angle adjustment
- Electric tilting legrest 0~90° angle adjustment
- Electric table Inclination 0°-12°Hand Controller
- Memory System
- Removable leveled side armrests
- Durable PVC yet soft like PU
- Luxious 3.5"/8.7cm foam pading
- Removable neck/face pillow

Otto-342FC

Tip: Stirrups weigh 15lbs/ 6.8kg



Otto-372



Specification:

- Length: 76"/193cm
- Width: 24"/61cm (34.5"/87cm including side armrest)
- Height: 24"/61cm-37.5"/95cm
- Working Capacity: 440lbs/200kg
- Product Weight: 174lbs/79kg
- Gross Weight: 203lbs/92kg
- Package Size: 55"/140cmx31.5"/80cmx25.5"/65cm

Features:

- Electric height adjustment
- Electric tilting backrest 0°~82° angle adjustment
- Electric tilting legrest 0~90° angle adjustment
- Electric table Inclination 0°-12°
- Table top rotation: ± 135°
- Hand Controller
- Memory System
- Removable leveled side armrests
- Durable PVC yet soft like PU
- Luxurious 3.5"/8.7cm foam padding
- Removable neck/face pillow

Otto-372FC

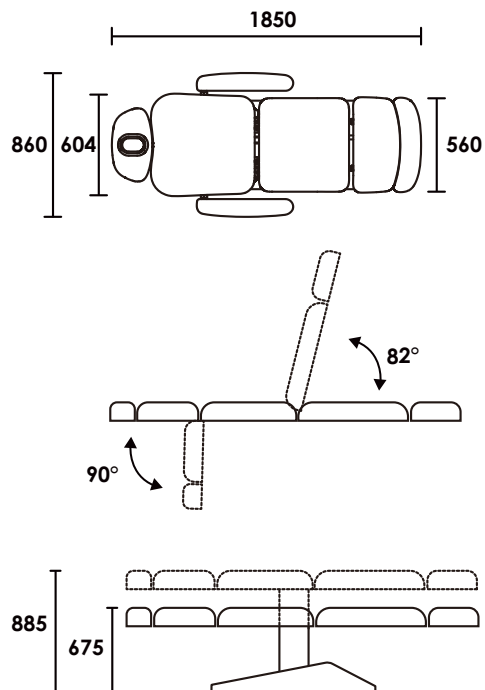
Tip: Stirrups weigh 15lbs/ 6.8kg



Parker Series



Parker-531



Specification:

- Length: : 72.8"/185cm
- Width: 23.6"/60cm (34"/86cm including side armrest)
- Height: 26.3"/67cm-34"/88m
- Working Capacity: 440lbs/200kg
- Product Weight: 216lbs/98kg
- Gross Weight: 240lbs/109kg
- Package Size: 59"/150cmx31.5"/80cmx28"/71cm

Features:

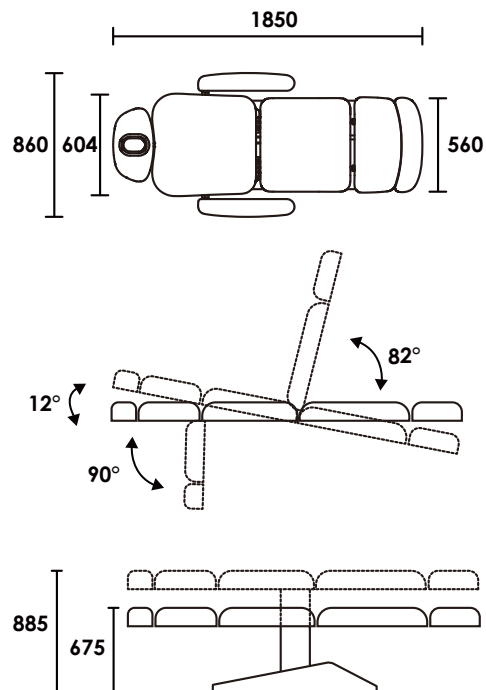
- Electric height adjustment
- Electric tilting backrest 0°~82° angle adjustment
- Electric tilting legrest 0~90° angle adjustment
- Hand Controller
- Removable leveled side armrests
- Durable PVC yet soft like PU
- Luxious 3.5"/8.7cm foam padding
- Removable and adjustable neck/face pillow

Parker-531FC

Tip: Stirrups weigh 15lbs/ 6.8kg



Parker-541



Specification:

- Length: 72.8"/185cm
- Width: 23.6"/60cm (34"/86cm including side armrest)
- Height: 26.7"/68cm-34.6"/88cm
- Working Capacity: 440lbs/200kg
- Product Weight: 220lbs/100kg
- Gross Weight: 247lbs/112kg
- Package Size: 59"/150cmx31.5"/80cmx28.5"/72cm

Features:

- Electric height adjustment
- Electric tilting backrest 4°~82° angle adjustment
- Electric tilting legrest 0°-90° angle adjustment
- Electric table Inclination 0°-12°
- Hand Controller
- Memory System
- Removable leveled side armrests
- Durable PVC yet soft like PU
- Luxurious 3.5"/8.7cm foam padding
- Removable and adjustable neck/face pillow

Parker-541FC

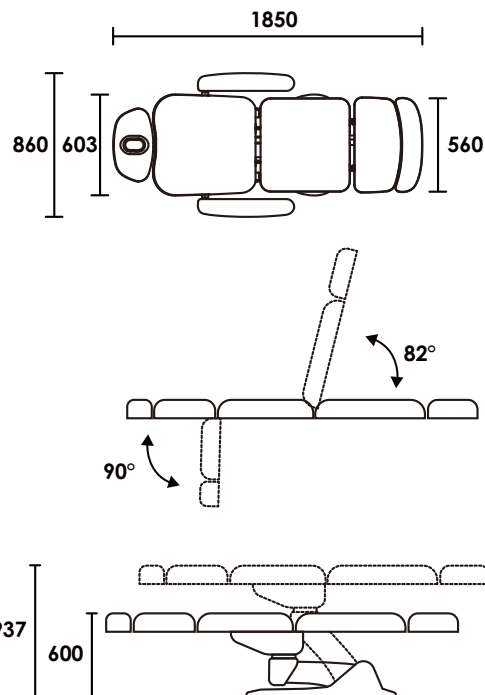
Tip: Stirrups weigh 15lbs/ 6.8kg



Morley Series



Morley-431



Specification:

- Length: 72.8"/185cm
- Width: 23.6"/60cm (34"/86cm including side armrest)
- Height: 24"/61cm-37.4"/95cm
- Working Capacity: 440lbs/200kg
- Product Weight: 200lbs/91kg
- Gross Weight: 224lbs/102kg
- Package Size: 59"/150cmx31.5"/80cmx25.6"/65cm

Features:

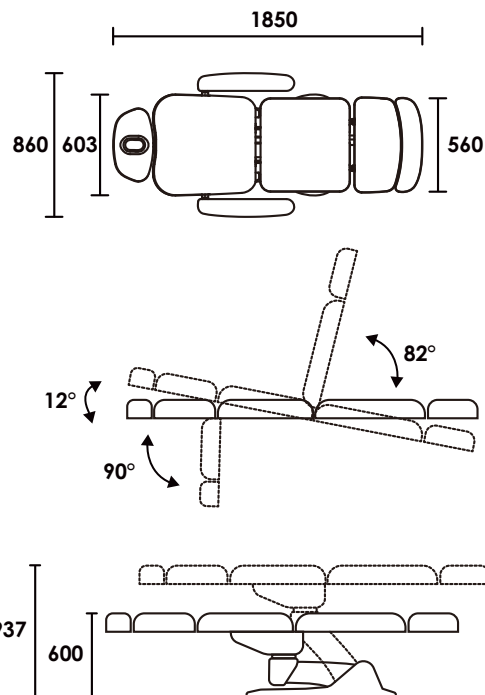
- Electric height adjustment
- Electric tilting backrest 0°~82° angle adjustment
- Electric tilting legrest 0~90° angle adjustment
- Hand Controller
- Removable leveled side armrests
- Durable PVC yet soft like PU
- Luxurious 3.5"/8.7cm foam padding
- Removable and adjustable neck/face pillow

Morley-431FC

Tip: Stirrups weigh 15lbs/ 6.8kg



Morley-441



Specification:

- Length: 72.8"/185cm
- Width: 23.6"/60cm (34"/86cm including side armrest)
- Height: 24"/61cm-37.4"/95m
- Working Capacity: 440lbs/200kg
- Product Weight: 216lbs/98kg
- Gross Weight: 240lbs/109kg
- Package Size: 59"/150cmx31.5"/80cmx25.6"/65cm

Features:

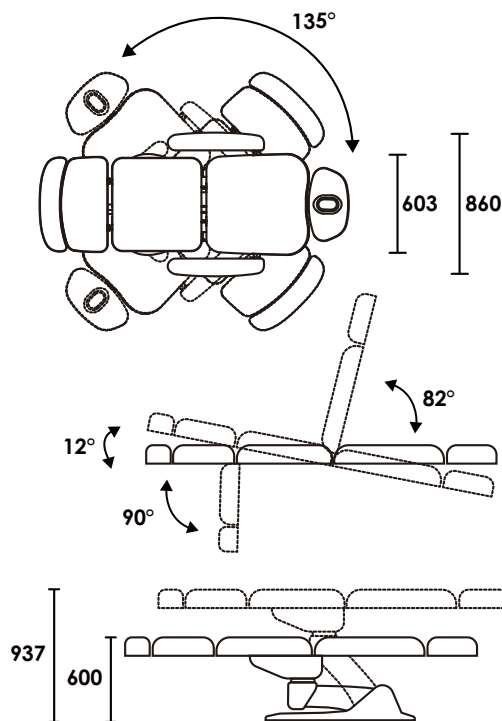
- Electric height adjustment
- Electric tilting backrest 0°~82° angle adjustment
- Electric tilting legrest 0~90° angle adjustment
- Electric table Inclination 0°-12°
- Hand Controller
- Memory System
- Removable leveled side armrests
- Durable PVC yet soft like PU
- Luxious 3.5"/8.7cm foam padding
- Removable and adjustable neck/face pillow

Morley-441FC

Tip: Stirrups weigh 15lbs/ 6.8kg



Morley-471



Specification:

- Length: 72.8"/185cm
- Width: 23.6"/60cm (34"/86cm including side armrest)
- Height: 24.6"/62 cm-37.8"/96cm
- Working Capacity: 440lbs/200kg
- Product Weight: 220lbs/100kg
- Gross Weight: 249lbs/113kg
- Package Size: 59"/150cmx31.5"/80cmx26"/66cm

Features:

- Electric height adjustment
- Electric tilting backrest 4°~80° angle adjustment
- Electric tilting legrest 0~90° angle adjustment
- Electric table Inclination 0°-12°
- Table top rotation: ± 135°
- Hand Controller
- Memory System
- Removable leveled side armrests
- Durable PVC yet soft like PU
- Luxurious 3.5"/8.7cm foam padding
- Removable and adjustable neck/face pillow

Morley-471FC

Tip: Stirrups weigh 15lbs/ 6.8kg



Taylor Series



Taylor-430

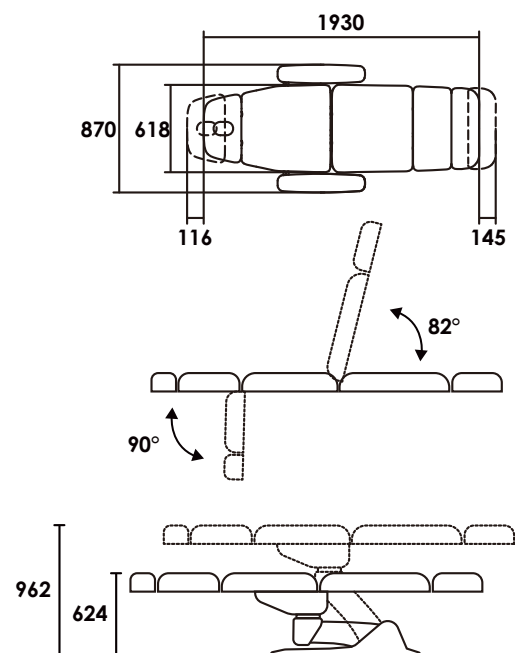


Features:

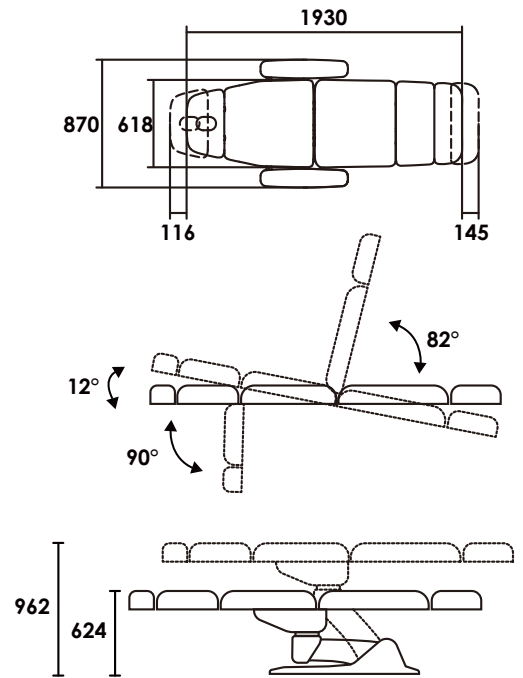
- Electric height adjustment
- Electric tilting backrest 0°~82° angle adjustment
- Electric tilting legrest 0~90° angle adjustment
- Hand Controller
- Memory System
- Removable leveled side armrests
- Durable PVC yet soft like PU
- Luxurious 3.5"/8.7cm foam padding
- Removable and adjustable neck/face pillow

Specification:

- Length: 76"/193cm
- Width: 24.6"/62cm (33.5"/85cm including side armrest)
- Height: 24"/61cm-37.4"/95m
- Working Capacity: 440lbs/200kg
- Product Weight: 216lbs/98kg
- Gross Weight: 240lbs/109kg
- Package Size: 59"/150cmx31.5"/80cmx25.6"/65cm



Taylor-440



Specification:

- Length: 76"/193cm
- Width: 24.6"/62cm(33.5"/85cm including side armrest)
- Height: 24"/61cm-37.4"/95m
- Working Capacity: 440lbs/200kg
- Product Weight: 216lbs/98kg
- Gross Weight: 240lbs/109kg
- Package Size: 59"/150cmx31.5"/80cmx25.6"/65cm

Features:

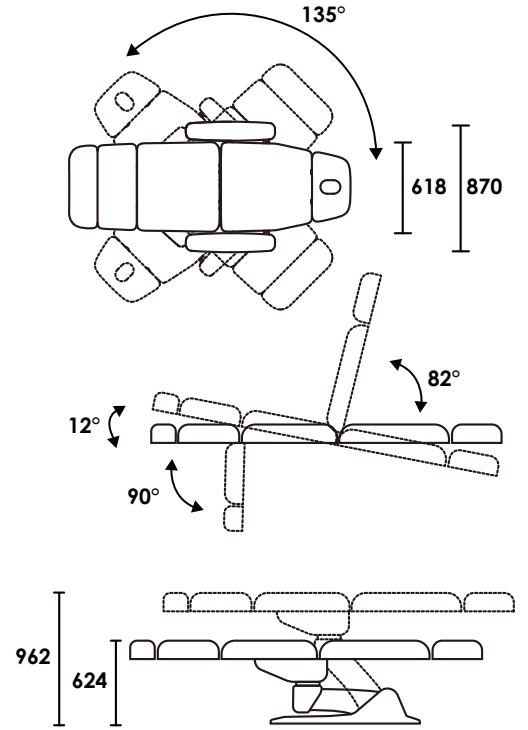
- Electric height adjustment
- Electric tilting backrest 0°~82° angle adjustment
- Electric tilting legrest 0°~90° angle adjustment
- Electric table Inclination 0°-12°
- Hand Controller
- Memory System
- Removable leveled side armrests
- Durable PVC yet soft like PU
- Luxurious 3.5"/8.7cm foam padding
- Removable and adjustable neck/face pillow

Taylor-440FC

Tip: Stirrups weigh 15lbs/ 6.8kg



Taylor-470



Specification:

- Length: 76"/193cm
- Width: 24.6"/62cm(33.5"/85cm including side armrest)
- Height: 24.6"/62 cm-37.8"/96cm
- Working Capacity: 440lbs/200kg
- Product Weight: 220lbs/100kg
- Gross Weight: 249lbs/113kg
- Package Size: 59"/150cmx31.5"/80cmx26"/66cm

Features:

- Electric height adjustment
- Electric tilting backrest 4°~82° angle adjustment
- Electric tilting legrest 0~90° angle adjustment
- Electric table Inclination 0°-12°
- Table top rotation: ± 135°
- Hand Controller
- Memory System
- Removable leveled side armrests
- Durable PVC yet soft like PU
- Luxurious 3.5"/8.7cm foam padding
- Removable and adjustable neck/face pillow

Taylor-470FC

Tip: Stirrups weigh 15lbs/ 6.8kg



TT Series



TT-530

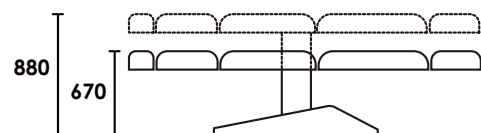
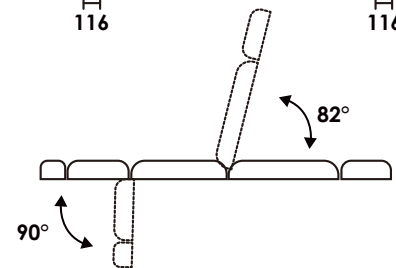
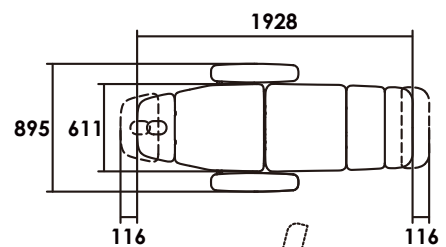


Features:

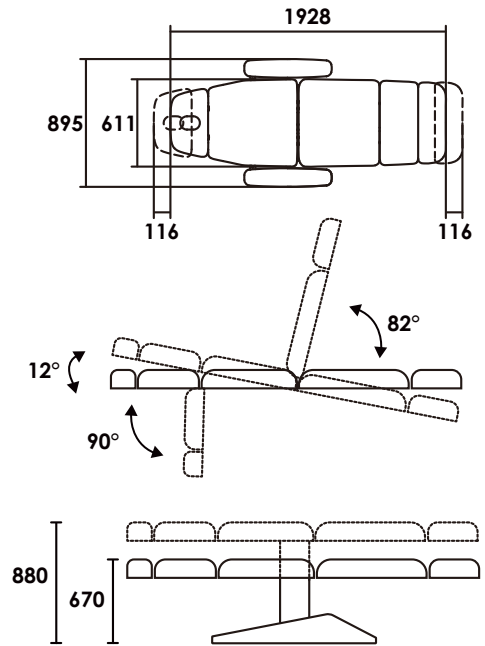
- Electric height adjustment
- Electric tilting backrest 0°~82° angle adjustment
- Electric tilting legrest 0~90° angle adjustment
- Hand Controller
- Memory System
- Removable leveled side armrests
- Durable PVC yet soft like PU
- Luxurious 3.5"/8.7cm foam padding
- Removable and adjustable neck/face pillow

Specification:

- Length: 76"/193cm
- Width: 24"/61cm (34.5"/87cm including side armrest)
- Height: 26.3"/67cm-34"/88cm
- Working Capacity: 440lbs/200kg
- Product Weight: 216lbs/98kg
- Gross Weight: 240lbs/109kg
- Package Size: 59"/150cm×31.5"/80cm×28"/71cm



TT-540



Specification:

- Length: 76"/193cm
- Width: 24"/61cm(34.5"/87cm including side armrest)
- Height: 26.3"/67cm-34"/87m
- Working Capacity: 440lbs/200kg
- Product Weight: 216lbs/98kg
- Gross Weight: 240lbs/109kg
- Package Size: 59"/150cmx31.5"/80cmx28"/71cm

Features:

- Electric height adjustment
- Electric tilting backrest 0°~82° angle adjustment
- Electric tilting legrest 0~90° angle adjustment
- Electric table Inclination 0°-12°
- Hand Controller
- Memory System
- Removable leveled side armrests
- Durable PVC yet soft like PU
- Luxurious 3.5"/8.7cm foam padding
- Removable and adjustable neck/face pillow

TT-540FC

Tip: Stirrups weigh 15lbs/ 6.8kg



Heller-海勒



参数 / Specification

长度 Length	宽度 Width	高度 Height	工作载荷 Working Capacity
74"/188cm	23.6"/60cm (35"/88.3cm 含扶手including side armrest)	22"/56cm-31.5"/80cm (座面高度)	440lbs/200kg

Heller 630/640



Heller-630 (3 Motor) 三电机
Heller-640 (4 Motor) 四电机

Heller 630FC/640FC



Heller-630FC (3 Motor with Stirrups) 三电机+马镫
Heller-640FC (4 Motor with Stirrups) 四电机+马镫

Heller-海勒



参数 / Specification

长度 Length	宽度 Width	高度 Height	工作载荷 Working Capacity
74"/188cm	23.6"/60cm (35"/88.3cm 含扶手including side armrest)	22"/56cm-31.5"/80cm (座面高度)	440lbs/200kg



Removable Leveled Armrest
可拆卸水平扶手

①



Removable 6 Direction Adjustable Stirrups
可拆卸式6向调节马镫

②



Electric table Inclination 0°-12°
电动整体倾仰

③



Removable and adjustable neck/face pillow
可拆卸可调节头枕

④

Rockstar-洛力士



参数 / Specification

长度 Length	宽度 Width	高度 Height	工作载荷 Working Capacity
74"/188cm	23.6"/60cm (34"/86cm 含扶手including side armrest)	22"/56cm-31.5"/80cm (座面高度)	440lbs/200kg

Rockstar 730/740



Rockstar-730 (3 Motor) 三电机
Rockstar-740 (4 Motor) 四电机

Rockstar 730FC/740FC



Rockstar-730FC (3 Motor with Stirrups) 三电机+马镫
Rockstar-740FC (4 Motor with Stirrups) 四电机+马镫

Rockstar-洛克士



参数 / Specification

长度 Length	宽度 Width	高度 Height	工作载荷 Working Capacity
74"/188cm	23.6"/60cm (34"/86cm 含扶手including side armrest)	22"/56cm-31.5"/80cm (座面高度)	440lbs/200kg



Removable Leveled Armrest
可拆卸水平扶手

①



Removable 6 Direction Adjustable Stirrups
可拆卸式6向调节马镫

②



Electric table Inclination 0°-12°
电动整体倾仰

③



Removable and adjustable neck/face pillow
可拆卸可调节头枕

④

Cantara-肯特拉



参数 / Specification

长度 Length	宽度 Width	高度 Height	工作载荷 Working Capacity
74"/188cm	23.6"/60cm (34"/86cm 含扶手including side armrest)	22"/56cm-31.5"/80cm (座面高度)	440lbs/200kg

Cantara 830/840



Cantara-830 (3 Motor) 三电机
Cantara-840 (4 Motor) 四电机

Cantara 830FC/840FC



Cantara-830FC (3 Motor with Stirrups) 三电机+马镫
Cantara-840FC (4 Motor with Stirrups) 四电机+马镫

Cantara-肯特拉



参数 / Specification

长度 Length	宽度 Width	高度 Height	工作载荷 Working Capacity
74"/188cm	23.6"/60cm (34"/86cm 含扶手including side armrest)	22"/56cm-31.5"/80cm (座面高度)	440lbs/200kg



Removable Leveled Armrest
可拆卸水平扶手

①



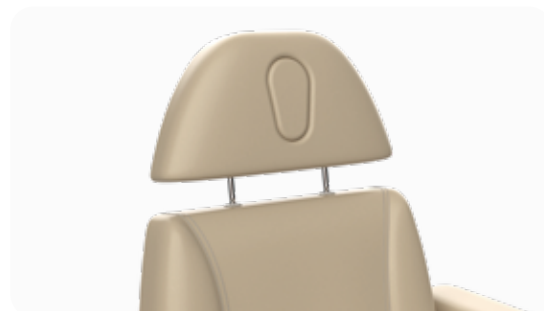
Removable 6 Direction Adjustable Stirrups
可拆卸式6向调节马镫

②



Electric table Inclination 0°-12°
电动整体倾仰

③



Removable and adjustable neck/face pillow
可拆卸可调节头枕

④

Katia-A



Katia-B



**Removeable Side
Armrest**



Rotatable Table Top



Pneumatic Overall Tilt

Hydraulic Height Adjustment



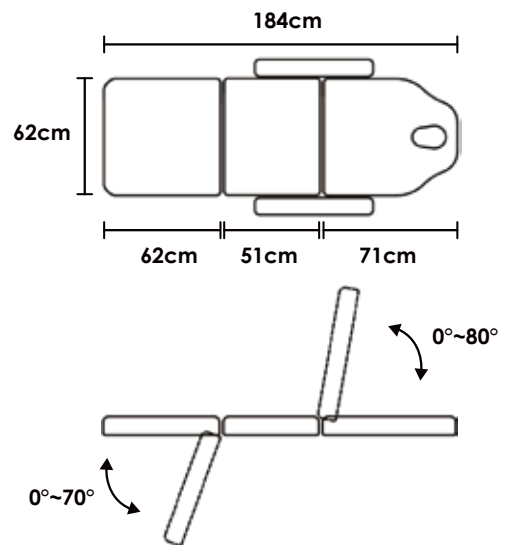
**Pneumatic
Tilting Backrest**



**Pneumatic
Tilting Leg-rest**



Katia-A10



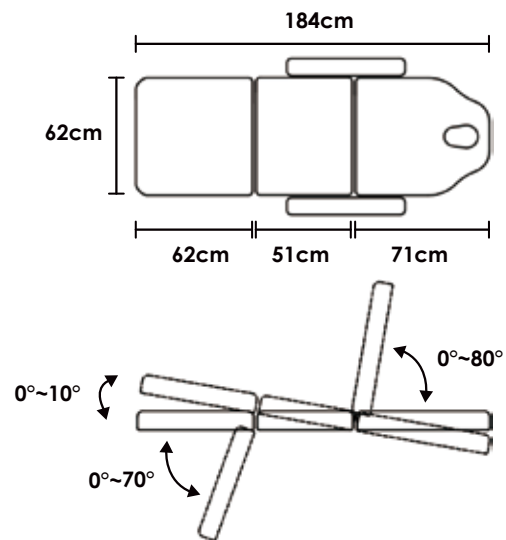
Specification:

- Length: 72"/184cm
- Width: 24.5"/62cm (33.5"/85cm)
- Height: 24"/61cm~30.5"/77cm
- Foam: 3.3"/8.2cm
- Working Weight: 440lbs/200kg
- Product Weight: 92.6lbs/42kg
- Gross Weight: 103.6lbs/47kg
- Package Size: 49"/125cmx26"/66cmx30"/76cm

Features:

- Rotatable and lockable table top
- 5 years guaranteed water resistant and oil resistant PU leather
- Removable foldable side armrests
- Large Size Hydraulic pump height adjustment
- 3.3"/8.2cm thick high density foam padding
- Pneumatic controled backrest angle adjustment 0°~80°
- Pneumatic controled legrest angle adjustment 0°~70°
- Removable neck pillow

Katia-A20



Specification:

- Length: 72"/184cm
- Width: 24.5"/62cm (33.5"/85cm)
- Height: 24"/61cm~30.5"/77cm
- Foam: 3.3"/8.2cm
- Working Weight: 440lbs/200kg
- Product Weight: 98.66lbs/44.75kg
- Gross Weight: 109.7lbs/49.75kg
- Package Size: 49"/125cmx26"/66cmx30"/76cm

Features:

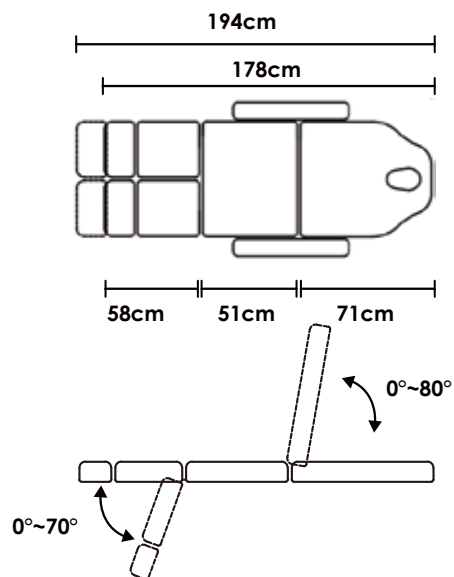
- Rotatable and lockable table top
- 5 years guaranteed water resistant and oil resistant PU leather
- Removable foldable side armrests
- Large Size Hydraulic pump height adjustment
- 3.3"/8.2cm thick high density foam padding
- Pneumatic controled backrest angle adjustment of 0°~80°
- Pneumatic controled legrest angle adjustment of 0°~70°
- Pneumatic controled overall inclination of 0°~10°
- Removable neck pillow

Katia-A30



Specification:

- Length: 76"/194cm
- Width: 24.5"/62cm (33.5"/85cm)
- Height: 24"/61cm~30.5"/77cm
- Foam: 3.3"/8.2cm
- Working Weight: 440lbs/200kg
- Product Weight: 96.67lbs/43.85kg
- Gross Weight: 107.7lbs/48.85kg
- Package Size: 49"/125cmx26"/66cmx30"/76cm



Features:

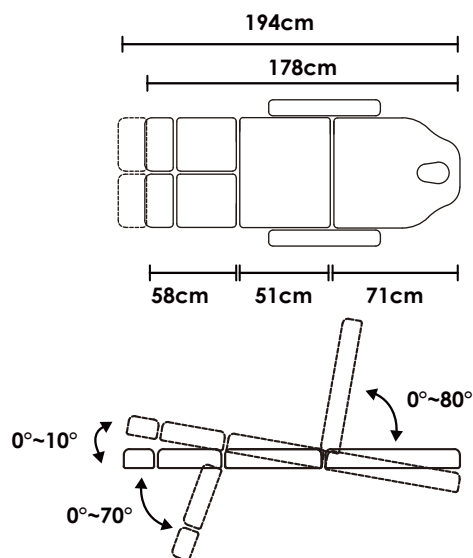
- Rotatable and lockable table top
- 5 years guaranteed water resistant and oil resistant PU leather
- Removable foldable side armrests
- Large Size Hydraulic pump height adjustment
- 3.3"/8.2cm thick high density foam padding
- Pneumatic controled backrest angle adjustment 0°~80°
- Pneumatic controled legrest angle adjustment 0°~70°
- Removable neck pillow

Katia-A40



Specification:

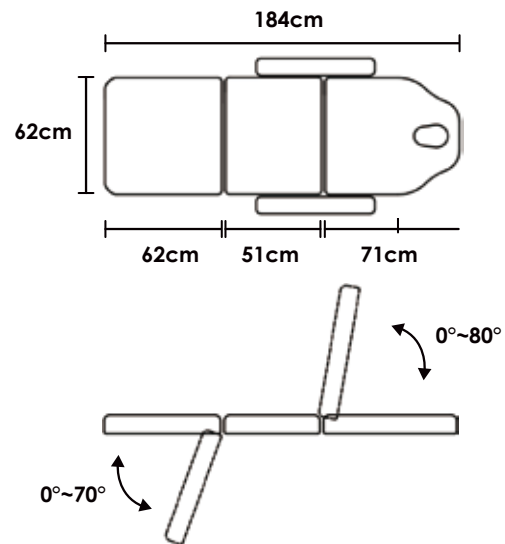
- Length: 76"/194cm
- Width: 24.5"/62cm (33.5"/85cm)
- Height: 24"/61cm~30.5"/77cm
- Foam: 3.3"/8.2cm
- Working Weight: 440lbs/200kg
- Product Weight: 102.96lbs/46.7kg
- Gross Weight: 114lbs/51.7kg
- Package Size: 49"/125cmx26"/66cmx30"/76cm



Features:

- Rotatable and lockable table top
- 5 years guaranteed water resistant and oil resistant PU leather
- Removable foldable side armrests
- Large Size Hydraulic pump height adjustment
- 3.3"/8.2cm thick high density foam padding
- Pneumatic controled backrest angle adjustment of 0°~80°
- Pneumatic controled legrest angle adjustment of 0°~70°
- Pneumatic controled overall inclination of 0°~10°
- Removable neck pillow

Katia-B10



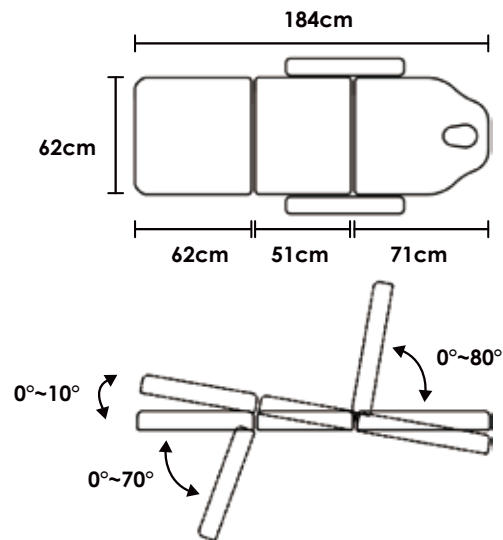
Specification:

- Length: 72"/184cm
- Width: 24.5"/62cm (33.5"/85cm)
- Height: 24"/61cm~30.5"/77cm
- Foam: 3.3"/8.2cm
- Working Weight: 440lbs/200kg
- Product Weight: 97.44lbs/44.2kg
- Gross Weight: 108.5lbs/49.2kg
- Package Size: 49"/125cmx26"/66cmx30"/76cm

Features:

- Rotatable and lockable table top
- 5 years guaranteed water resistant and oil resistant PU leather
- Removable foldable side armrests
- Large Size Hydraulic pump height adjustment
- 3.3"/8.2cm thick high density foam padding
- Pneumatic controled backrest angle adjustment 0°~80°
- Pneumatic controled legrest angle adjustment 0°~70°
- Removable neck pillow

Katia-B20



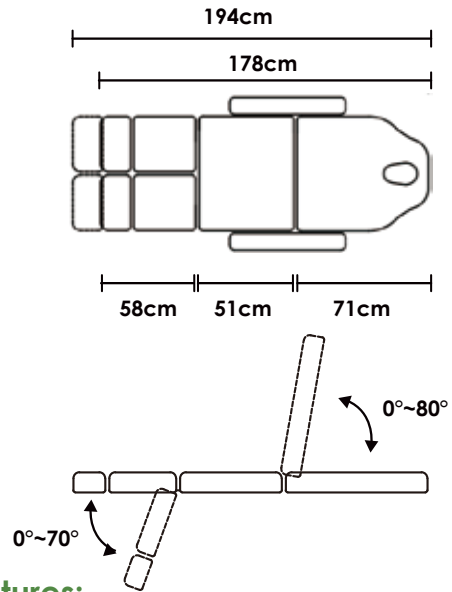
Specification:

- Length: 72"/184cm
- Width: 24.5"/62cm (33.5"/85cm)
- Height: 24"/61cm~30.5"/77cm
- Foam: 3.3"/8.2cm
- Working Weight: 440lbs/200kg
- Product Weight: 103.62lbs/47kg
- Gross Weight: 114.6lbs/52kg
- Package Size: 49"/125cmx26"/66cmx30"/76cm

Features:

- Rotatable and lockable table top
- 5 years guaranteed water resistant and oil resistant PU leather
- Removable foldable side armrests
- Large Size Hydraulic pump height adjustment
- 3.3"/8.2cm thick high density foam padding
- Pneumatic controled backrest angle adjustment of 0°~80°
- Pneumatic controled legrest angle adjustment of 0°~70°
- Pneumatic controled overall inclination of 0°~10°
- Removable neck pillow

Katia-B30



Specification:

- Length: 76"/194cm
- Width: 24.5"/62cm (33.5"/85cm)
- Height: 24"/61cm~30.5"/77cm
- Foam: 3.3"/8.2cm
- Working Weight: 440lbs/200kg
- Product Weight: 101.74lbs/46.15kg
- Gross Weight: 112.8lbs/51.15kg
- Package Size: 49"/125cmx26"/66cmx30"/76cm

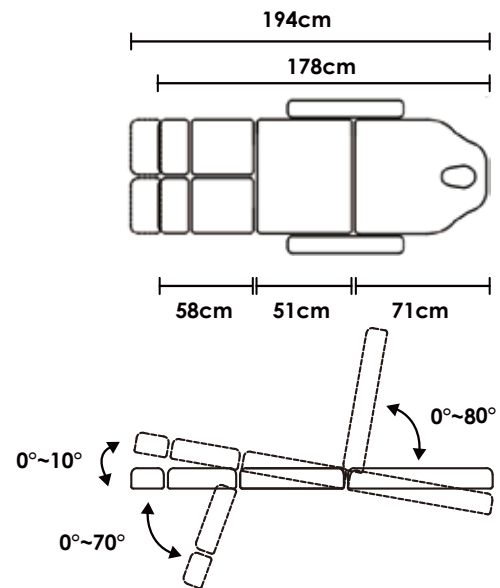
Features:

- Rotatable and lockable table top
- 5 years guaranteed water resistant and oil resistant PU leather
- Removable foldable side armrests
- Large Size Hydraulic pump height adjustment
- 3.3"/8.2cm thick high density foam padding
- Pneumatic controlled backrest angle adjustment 0°~80°
- Pneumatic controlled legrest angle adjustment 0°~70°
- Removable neck pillow

Katia-B40



Video



Specification:

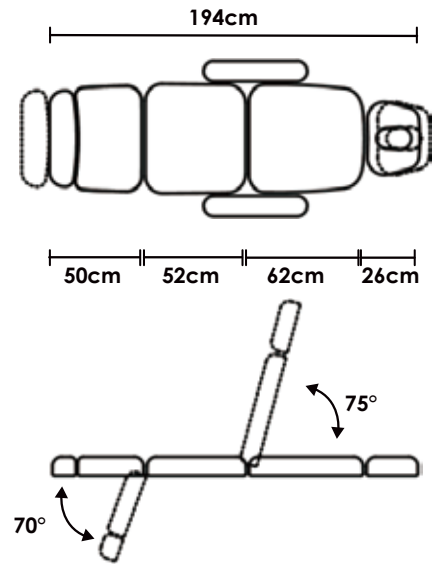
- Length: 76"/194cm
- Width: 24.5"/62cm (33.5"/85cm)
- Height: 24"/61cm~30.5"/77cm
- Foam: 3.3"/8.2cm
- Working Weight: 440lbs/200kg
- Product Weight: 108.03lbs/49kg
- Gross Weight: 119lbs/54kg
- Package Size: 49"/125cmx26"/66cmx30"/76cm

Features:

- Rotatable and lockable table top
- 5 years guaranteed water resistant and oil resistant PU leather
- Removable foldable side armrests
- Large Size Hydraulic pump height adjustment
- 3.3"/8.2cm thick high density foam padding
- Pneumatic controlled backrest angle adjustment of 0°~80°
- Pneumatic controlled legrest angle adjustment of 0°~70°
- Pneumatic controlled overall inclination of 0°~10°
- Removable neck pillow



Sonora-210



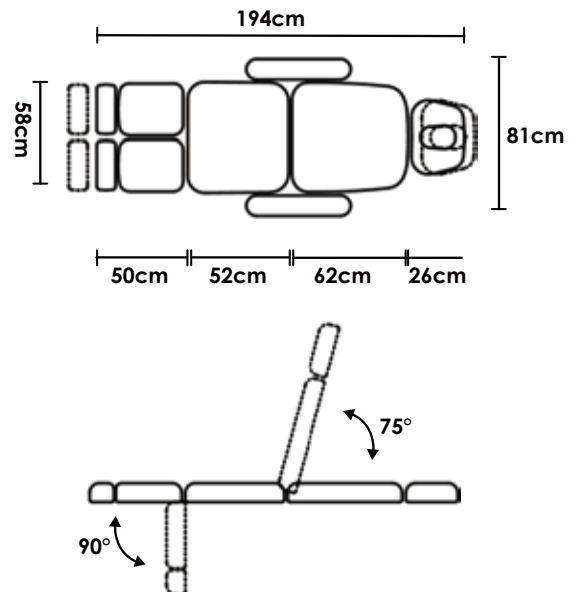
Specification:

- Length: 76"/194cm~84.5"/214cm
- Width: 23"/58cm (32"/81cm including side armrest)
- Height: 22"/56cm~35.5"/90cm
- Foam: 3.3"/8.2cm
- Working Weight: 440lbs/200kg
- Product Weight: 145lbs/66kg
- Gross Weight: 176lbs/80kg
- Package Size: 66"/168cmx35"/88cmx28"/71cm

Features:

- Electric height adjustment
- Pneumatic controlled backrest 0°~75° angle adjustment
- Pneumatic controlled legrest 0°~70° angle adjustment
- 5 years guaranteed water resistant and oil resistant PU leather.
- Removable leveled side armrests.
- Luxurious 3.3"/8.2cm thick high density CA-117 fireproof foam padding
- Removable and adjustable neck/face pillow
-

Sonora-220



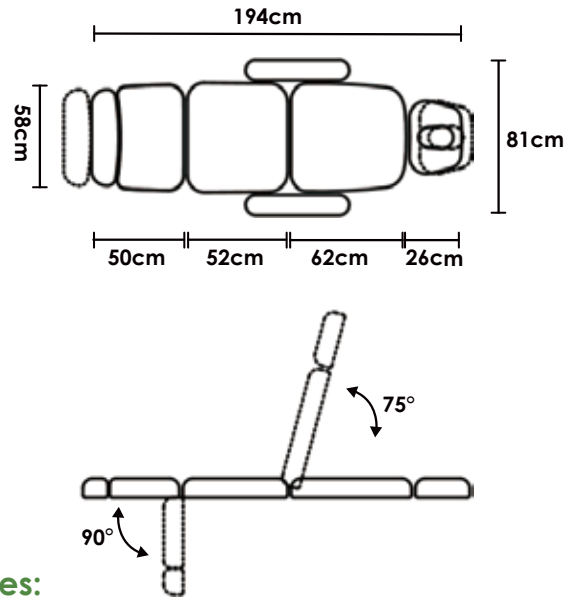
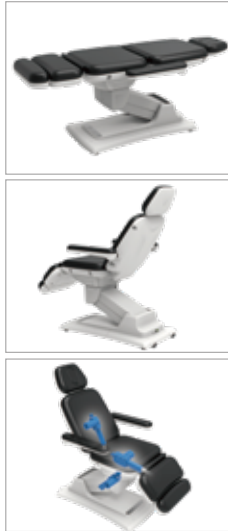
Specification:

- Length: 76"/194cm~84.5"/214cm
- Width: 23"/58cm (32"/81cm including side armrest)
- Height: 22"/56cm~35.5"/90cm
- Foam: 3.3"/8.2cm
- Working Weight: 440lbs/200kg
- Product Weight: 148lbs/67kg
- Gross Weight: 183lbs/83kg
- Package Size: 66"/168cmx35"/88cmx28"/71cm

Features:

- Electric height adjustment
- Electric backrest 0°~75° angle adjustment
- Pneumatic controlled legrest 0°~90° angle adjustment
- 5 years guaranteed water resistant and oil resistant PU leather
- Luxurious 3.3"/8.2cm thick high density CA-117 fireproof foam padding
- Removable leveled side armrests
- Removable and adjustable neck/face pillow

Sonora-230



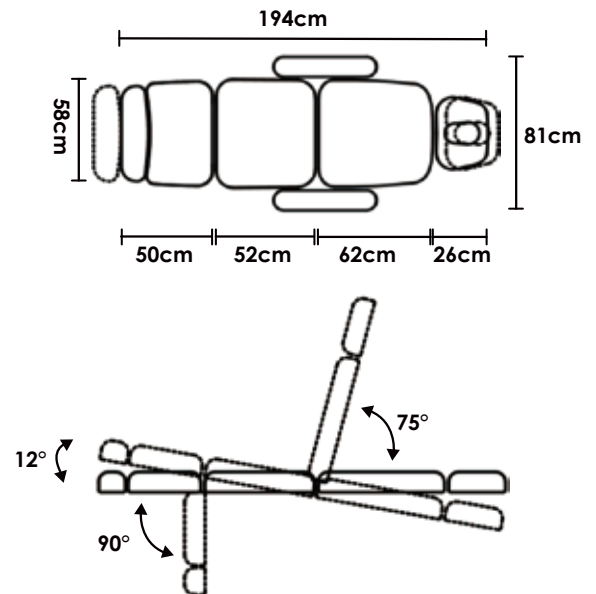
Specification:

- Length: 76"/194cm~84.5"/214cm
- Width: 23"/58cm (32"/81cm including side armrest)
- Height: 22"/56cm~35.5"/90cm
- Foam: 3.3"/8.2cm
- Working Weight: 440lbs/200kg
- Product Weight: 148lbs/67kg
- Gross Weight: 183lbs/83kg
- Package Size: 66"/168cmx35"/88cmx28"/71cm

Features:

- Electric height adjustment
- Electric backrest 0°~75° angle adjustment
- Electric legrest 0°~90° angle adjustment
- 5 years guaranteed water resistant and oil resistant PU leather
- Luxurious 3.3"/8.2cm thick high density CA-117 fireproof foam padding
- Removable leveled side armrests
- Removable and adjustable neck/face pillow

Sonora-240



Specification:

- Length: 76"/194cm~84.5"/214cm
- Width: 23"/58cm (32"/81cm including side armrest)
- Height: 22"/56cm~35.5"/90cm
- Foam: 3.3"/8.2cm
- Working Weight: 440lbs/200kg
- Product Weight: 152lbs/69kg
- Gross Weight: 187lbs/85kg
- Package Size: 66"/168cmx35"/88cmx28"/71cm

Features:

- Electric Height Adjustment 24"/61cm~35.5"/90cm
- Electric controled backrest angle adjustment 0°~75°
- Electric controled legrest angle adjustment 0°~90°
- Electric controled table top inclination of 0°~12°
- 5 years guaranteed water resistant and oil resistant PU leather
- Luxurious 3.3"/8.2cm thick high density CA-117 fireproof foam padding
- Removable leveled side armrests
- Removable and adjustable neck pillow

Sonora-260



Video

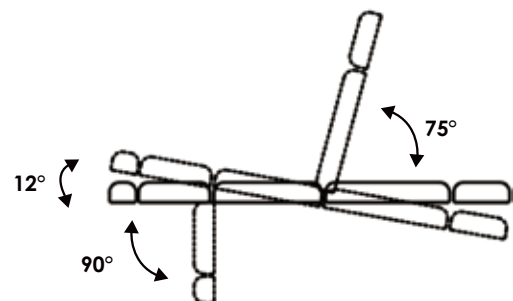
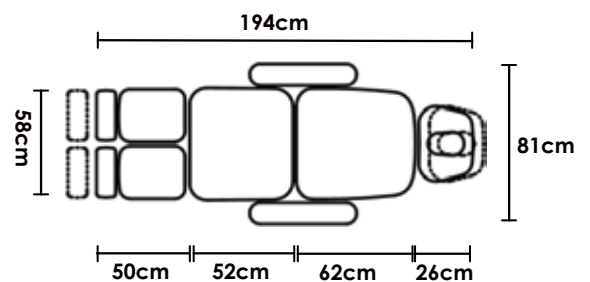


Features:

- Electric Height Adjustment 24"/61cm~35.5"/90cm
- Electric controled backrest angle adjustment 0°~75°
- Pneumatic controled legrest angle adjustment 0°~90°
- Electric controled table top inclination of 0°~12°
- 5 years guaranteed water resistant and oil resistant PU leather
- Luxious 3.3"/8.2cm thick high density CA-117 fireproof foam pading
- Removable leveled side armrests
- Removable and adjustable neck pillow

Specification:

- Length: 76"/194cm~84.5"/214cm
- Width: 23"/58cm (32"/81cm including side armrest)
- Height: 22"/56cm~35.5"/90cm
- Foam: 3.3"/8.2cm
- Working Weight: 440lbs/200kg
- Product Weight: 152lbs/69kg
- Gross Weight: 187lbs/85kg
- Package Size: 66"/168cmx35"/88cmx28"/71cm



优联Union

Model: DUS3

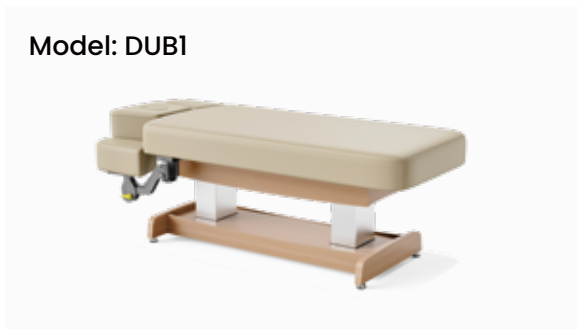


枫木饰面
 Maple Veneer
 黑胡桃木饰面
 Black Walnut Veneer

Model: DUB3



Model: DUB1



Model: DUS1



基本功能 STANDARD FEATURE



长度 Length
78"/198cm



宽度 Width
31"/33.5"
79cm/85cm



高度调节
Height Adjustment
24.8"/33.8"
63cm-86cm



海绵厚度
Padding Thickness
4"/10cm



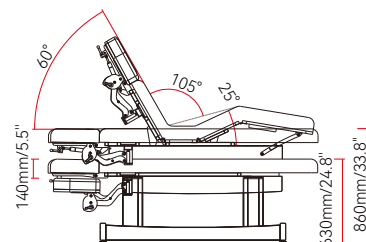
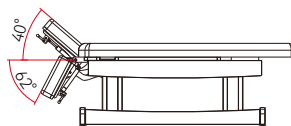
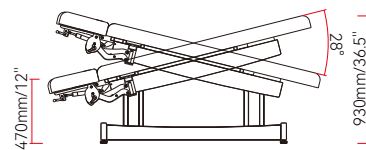
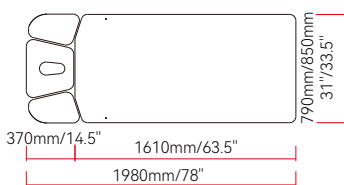
可拆卸床罩
Detachable
Table Cover



手控器
Hand Control



安全载荷
Working Weight



优联Union

Model: DUD1



枫木饰面
 Maple Veneer
 黑胡桃木饰面
 Black Walnut Veneer

Model: DUF1



Model: DUF3



Model: DUD3



基本功能 STANDARD FEATURE



长度 Length
75.6"/192cm



宽度 Width
31"/33.5"
79cm/85cm



高度调节
Height Adjustment
24.8"/33.8"
63cm-86cm



海绵厚度
Padding Thickness
4"/10cm



可拆卸床罩
Detachable
Table Cover



手控器
Hand Control

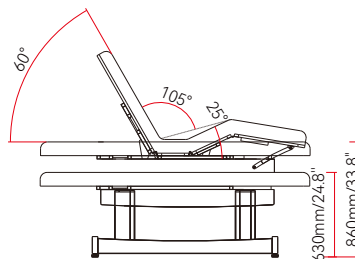
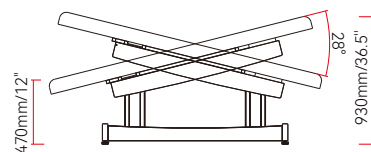
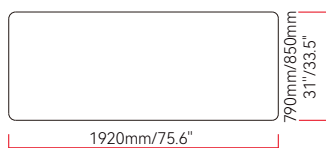


200kg
440lbs
MAX

安全载荷
Working Weight



双侧面枕安装孔
Face Cradle
Outlets on Both Side



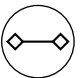
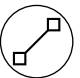
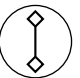




海瑟Heather

Model: DHS3



- 橡木饰面
Oak Veneer
- 胡桃木饰面
Walnut Veneer

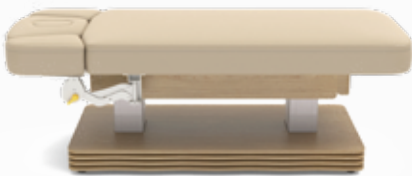
基本功能 STANDARD FEATURE

- 
 长度 Length
78"/198cm
- 
 宽度 Width
31"/33.5"
79cm/85cm
- 
 高度调节
Height Adjustment
24.8"/33.8"
63cm-86cm
- 
 海绵厚度
Padding Thickness
4"/10cm
- 
 可拆卸床罩
Detachable
Table Cover
- 
 手控器
Hand Control
- 
 安全载荷
Working Weight

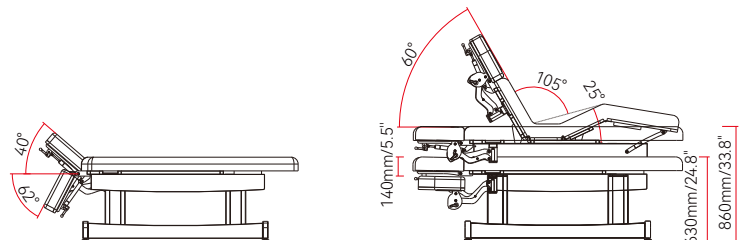
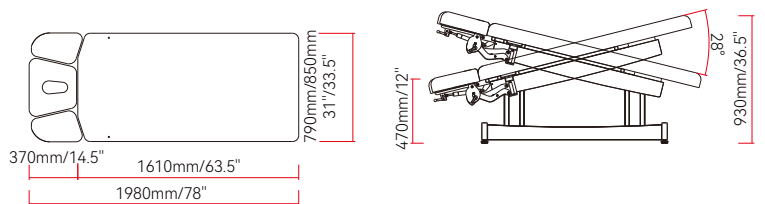
Model: DHB3



Model: DHB1



Model: DHS1



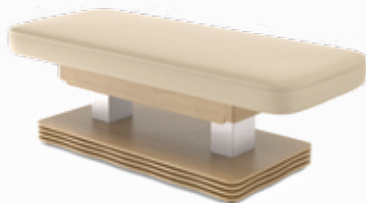
海瑟Heather

Model: DHD1

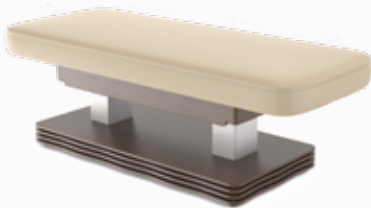


- 橡木饰面
Oak Veneer
- 胡桃木饰面
Walnut Veneer

Model: DHF1



Model: DHF3



Model: DHD3



基本功能 STANDARD FEATURE



长度 Length
76"/193cm



宽度 Width
31"/33.5"
79cm/85cm



高度调节
Height Adjustment
24.8"/33.8"
63cm-86cm



海绵厚度
Padding Thickness
4"/10cm



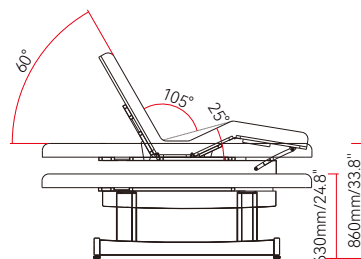
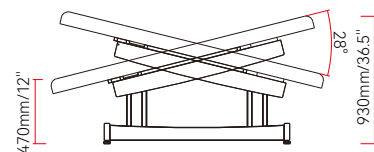
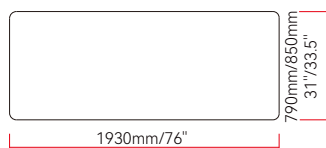
可拆卸床罩
Detachable
Table Cover



手控器
Hand Control



安全载荷
Working Weight
**200kg
440lbs
MAX**



奥利维亚 Olivia

Model: COS1



 橡木饰面
Oak Veneer

 黑胡桃木饰面
Black Walnut Veneer

基本功能 STANDARD FEATURE



长度 Length
78"/198cm



宽度 Width
31"/33.5"
79cm/85cm



高度调节
Height Adjustment
24.8"/33.8"
63cm-86cm



海绵厚度
Padding Thickness
4"/10cm



可拆卸床罩
Detachable
Table Cover



手控器
Hand Control



200kg
440lbs
MAX
安全载荷
Working Weight

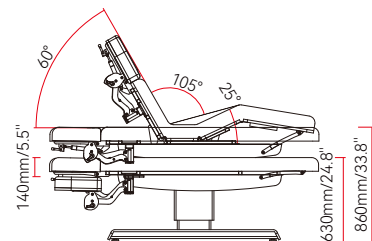
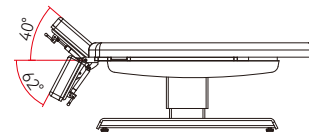
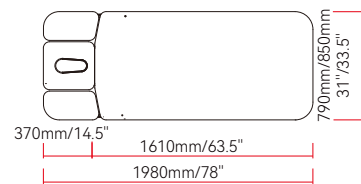
Model: COB1



Model: COB3



Model: COS3



奥利维亚 Olivia

Model: COD3



 橡木饰面 Oak Veneer  黑胡桃木饰面 Black Walnut Veneer

基本功能 STANDARD FEATURE



长度 Length
75.6"/192cm



宽度 Width
31"/33.5"
79cm/85cm



高度调节
Height Adjustment
24.8"/33.8"
63cm-86cm



海绵厚度
Padding Thickness
4"/10cm



可拆卸床罩
Detachable
Table Cover



手控器
Hand Control

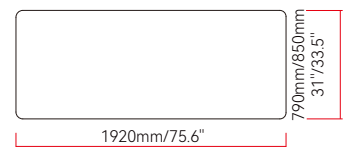
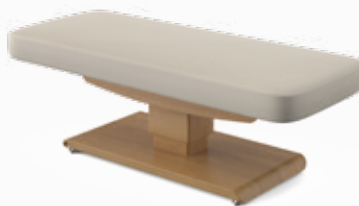


200kg
440lbs
MAX
安全载荷
Working Weight

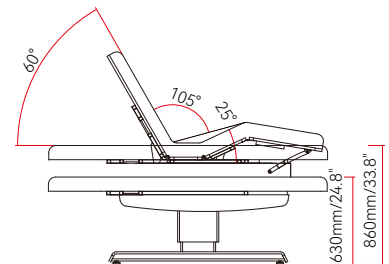
Model: COF3



Model: COF1



Model: COD1



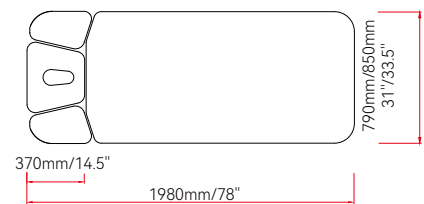
亚历山大Alexander-A

Model: MAS3-A



浅胡桃木饰面
Light Walnut Veneer

Model: MAB3-A



基本功能 STANDARD FEATURE



长度 Length
78"/198cm



宽度 Width
31"/33.5"
79cm/85cm



高度调节
Height Adjustment
24.8"/33.8"
63cm-86cm



海绵厚度
Padding Thickness
4"/10cm



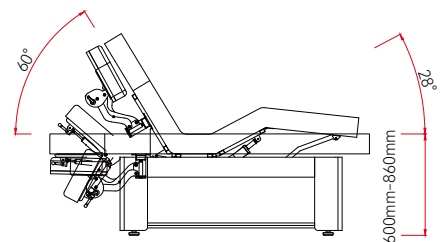
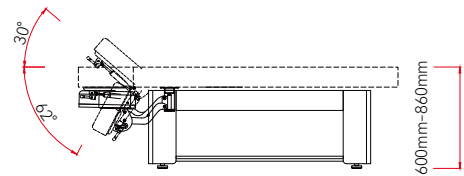
可拆卸床罩
Detachable
Table Cover



手控器
Hand Control



200kg
440lbs
MAX
安全载荷
Working Weight



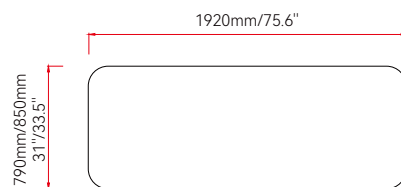
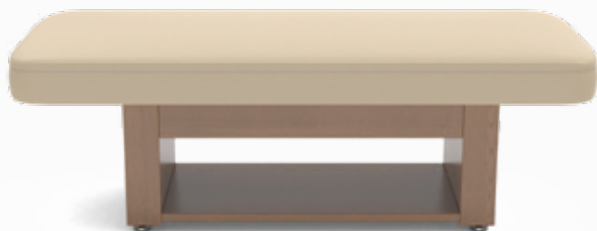
亚历山大Alexander-A

Model: MAD3-A



浅胡桃木饰面
Light Walnut Veneer

Model: MAF3-A



基本功能 STANDARD FEATURE



长度 Length
75.6"/192cm



宽度 Width
31"/33.5"
79cm/85cm



高度调节
Height Adjustment
24.8"/33.8"
63cm-86cm



海绵厚度
Padding Thickness
4"/10cm



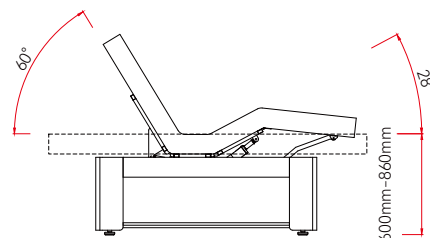
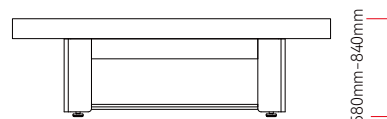
可拆卸床罩
Detachable
Table Cover



手控器
Hand Control



200kg
440lbs
MAX
安全载荷
Working Weight



亚历山大Alexander-B

Model: MAS3-B



浅胡桃木饰面
Light Walnut Veneer

基本功能 STANDARD FEATURE



长度 Length
78"/198cm



宽度 Width
31"/33.5"
79cm/85cm



高度调节
Height Adjustment
23.6"/33.8"
60cm/86cm



海绵厚度
Padding Thickness
4"/10cm



可拆卸床罩
Detachable
Table Cover

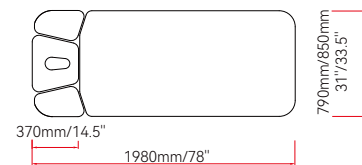


手控器
Hand Control

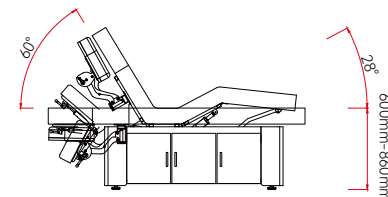
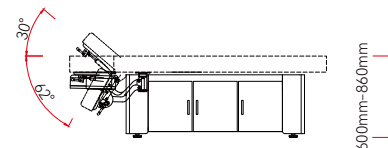


200kg
440lbs
MAX
安全载荷
Working Weight

Model: MAB3-B



Model: MAS3-B



亚历山大Alexander-B

Model: MAD3-B



浅胡桃木饰面
Light Walnut Veneer

基本功能 STANDARD FEATURE



长度 Length
75.6"/192cm



宽度 Width
31"/33.5"
79cm/85cm



高度调节
Height Adjustment
22.8"/33"
58cm/84cm



海绵厚度
Padding Thickness
4"/10cm



可拆卸床罩
Detachable
Table Cover

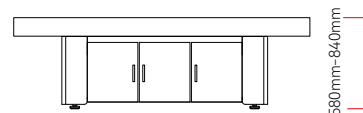
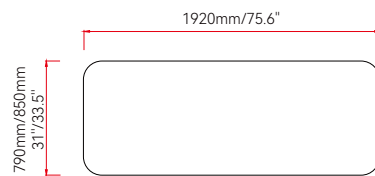


手控器
Hand Control

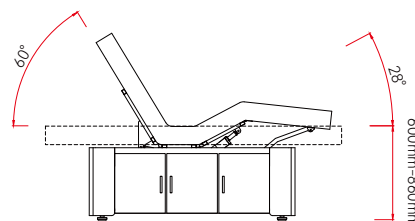


200kg
440lbs
MAX
安全载荷
Working Weight

Model: MAF3-B



Model: MAD3-B



普林斯顿 Princeton

Model: CPS1



橡木饰面
 Oak Veneer

黑胡桃木饰面
 Black Walnut Veneer

基本功能 STANDARD FEATURE



长度 Length
78"/198cm



宽度 Width
31"/33.5"
79cm/85cm



高度调节
Height Adjustment
24.8"/33.8"
63cm-86cm



海绵厚度
Padding Thickness
4"/10cm



可拆卸床罩
Detachable
Table Cover



手控器
Hand Control



200kg
440lbs
MAX
安全载荷
Working Weight

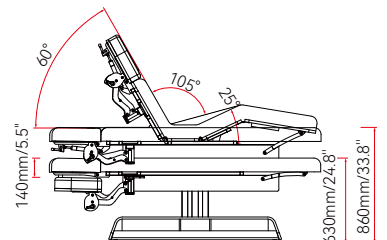
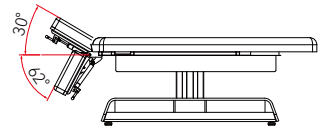
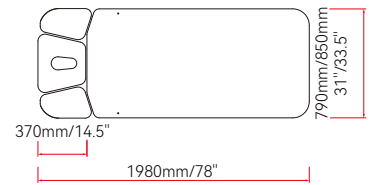
Model: CPB1



Model: CPB7



Model: CPS7



普林斯顿 Princeton

Model: CPD7



橡木饰面
Oak Veneer
 黑胡桃木饰面
Black Walnut Veneer

基本功能 STANDARD FEATURE



长度 Length
75.6"/192cm



宽度 Width
31"/33.5"
79cm/85cm



高度调节
Height Adjustment
24.8"/33.8"
63cm-86cm



海绵厚度
Padding Thickness
4"/10cm



可拆卸床罩
Detachable
Table Cover



手控器
Hand Control

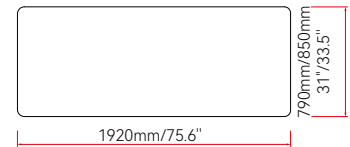


安全载荷
Working Weight
200kg
440lbs
MAX

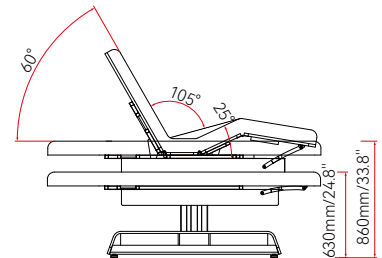
Model: CPF7



Model: CPF1



Model: CPD7



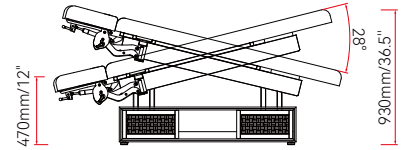
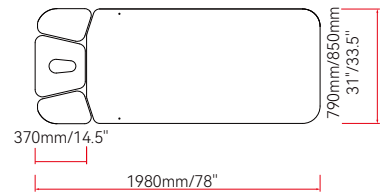
西木Westwood

Model: DWS3



乌金木饰面
Zingana Veneer

Model: DWB3



基本功能 STANDARD FEATURE



长度 Length
78"/198cm



宽度 Width
31"/33.5"
79cm/85cm



高度调节
Height Adjustment
24.8"/33.8"
63cm-86cm



海绵厚度
Padding Thickness
4"/10cm



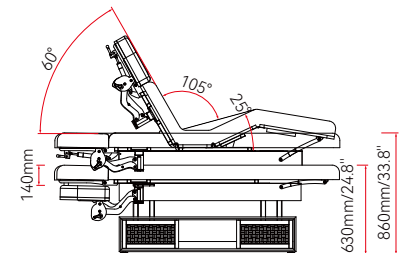
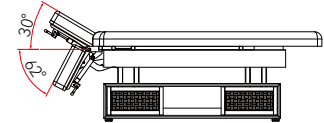
可拆卸床罩
Detachable
Table Cover



手控器
Hand Control



安全载荷
Working Weight
200kg
440lbs
MAX



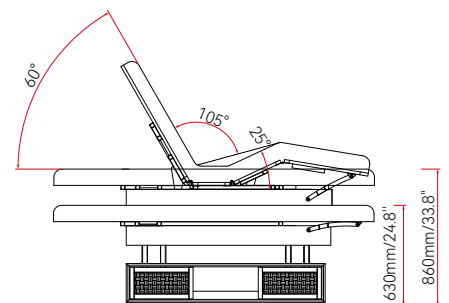
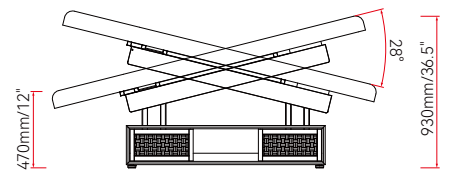
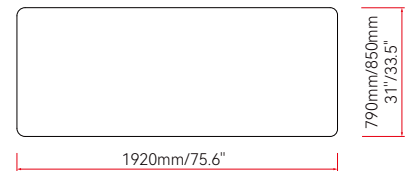
西木Westwood

Model: DWD3



乌金木饰面
Zingana Veneer

Model: DWF3



基本功能 STANDARD FEATURE



长度 Length
75.6"/192cm



宽度 Width
31"/33.5"
79cm/85cm



高度调节
Height Adjustment
24.8"/33.8"
63cm-86cm



海绵厚度
Padding Thickness
4"/10cm



可拆卸床罩
Detachable
Table Cover



手控器
Hand Control



200kg
440lbs
MAX
安全载荷
Working Weight

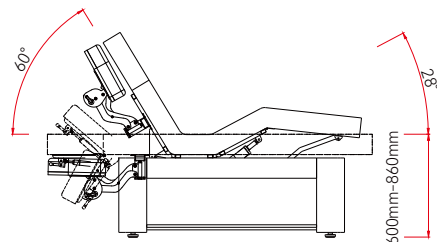
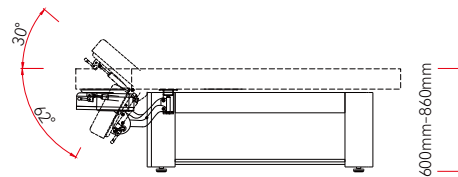
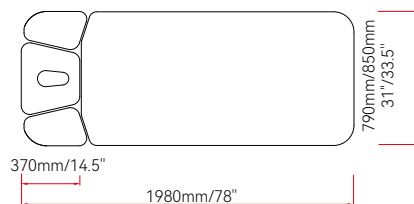
优诗美地Yosemite-A

Model: MYS1-A



枫木饰面
 Maple Veneer

Model: MYB1-A



基本功能 STANDARD FEATURE



长度 Length
78"/198cm



宽度 Width
31"/33.5"
79cm/85cm



高度调节
Height Adjustment
23.6"/33.8"
60cm-86cm



海绵厚度
Padding Thickness
4"/10cm



可拆卸床罩
Detachable
Table Cover



手控器
Hand Control



200kg
440lbs
MAX
安全载荷
Working Weight

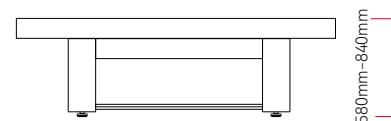
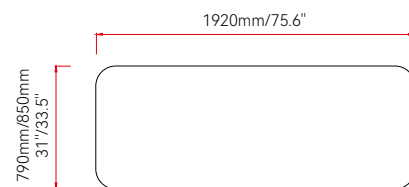
优诗美地 Yosemite-A

Model: MYD1-A



 枫木饰面
Maple Veneer

Model: MYF1-A



基本功能 STANDARD FEATURE



长度 Length
75.6"/192cm



宽度 Width
31"/33.5"
79cm/85cm



高度调节
Height Adjustment
23.6"/33.8"
60cm-86cm



海绵厚度
Padding Thickness
4"/10cm



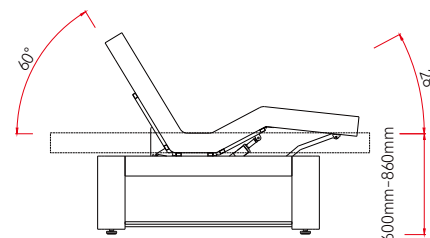
可拆卸床罩
Detachable
Table Cover



手控器
Hand Control



200kg
440lbs
MAX
安全载荷
Working Weight



优诗美地Yosemite-B

Model: MYS1-B



 枫木饰面
Maple Veneer

基本功能 STANDARD FEATURE



长度 Length
78"/198cm



宽度 Width
31"/33.5"
79cm/85cm



高度调节
Height Adjustment
23.6"/33.8"
60cm/86cm



海绵厚度
Padding Thickness
4"/10cm



可拆卸床罩
Detachable
Table Cover

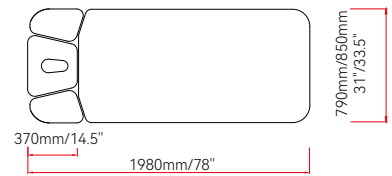


手控器
Hand Control

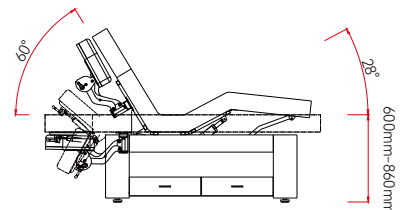
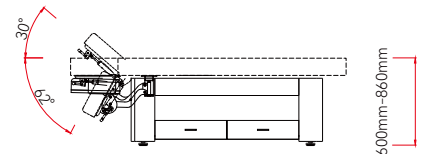


200kg
440lbs
MAX
安全载荷
Working Weight

Model: MYB1-B



Model: MYS1-B



优诗美地Yosemite-B

Model: MYD1-B



枫木饰面
Maple Veneer

基本功能 STANDARD FEATURE



长度 Length
75.6"/192cm



宽度 Width
31"/33.5"
79cm/85cm



高度调节
Height Adjustment
22.8"/33"
58cm/84cm



海绵厚度
Padding Thickness
4"/10cm



可拆卸床罩
Detachable
Table Cover

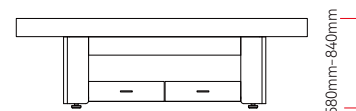
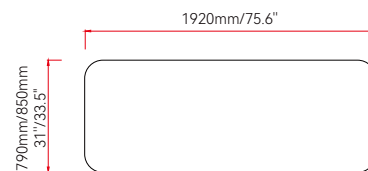
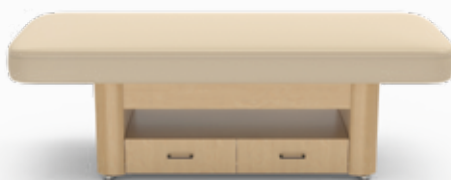


手控器
Hand Control

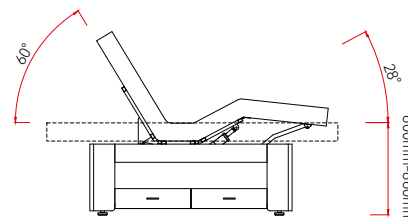


安全载荷
Working Weight
200kg
440lbs
MAX

Model: MYF1-B




Model: MYD1-B



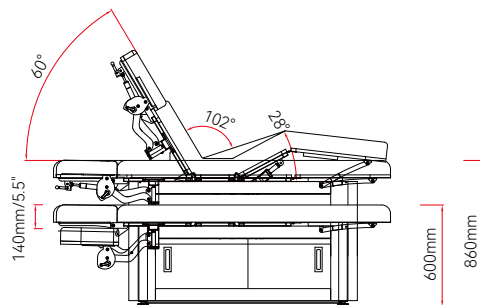
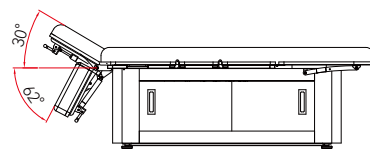
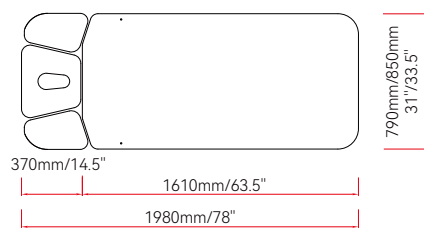
马蒂尼Martini

Model: MMS2



 白色饰面
White Painting

Model: MMB2



基本功能 STANDARD FEATURE



长度 Length
78"/198cm



宽度 Width
31"/33.5"
79cm/85cm



高度调节
Height Adjustment
23.6"/33.8"
60cm-86cm



海绵厚度
Padding Thickness
4"/10cm



可拆卸床罩
Detachable
Table Cover



手控器
Hand Control



200kg
440lbs
MAX
安全载荷
Working Weight

马蒂尼Martini

Model: MMD2



白色饰面
White Painting

基本功能 STANDARD FEATURE



长度 Length
75.6"/192cm



宽度 Width
31"/33.5"
79cm/85cm



高度调节
Height Adjustment
23.6"/33.8"
60cm-86cm



海绵厚度
Padding Thickness
4"/10cm



可拆卸床罩
Detachable
Table Cover

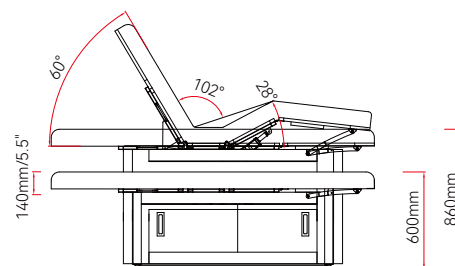
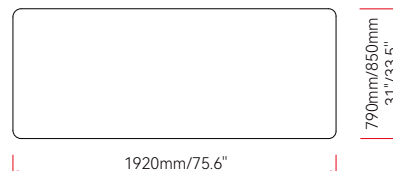


手控器
Hand Control



200kg
440lbs
MAX
安全载荷
Working Weight

Model: MMF2



夏洛特Charlotte

Model: MCS1



白橡木饰面
White Oak Veneer

基本功能 STANDARD FEATURE



长度 Length
78"/198cm



宽度 Width
31"/33.5"
79cm/85cm



高度调节
Height Adjustment
23.6"/33.8"
60cm/86cm



海绵厚度
Padding Thickness
4"/10cm



可拆卸床罩
Detachable
Table Cover

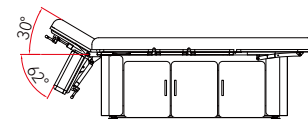
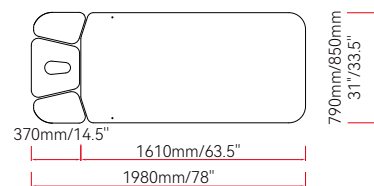


手控器
Hand Control

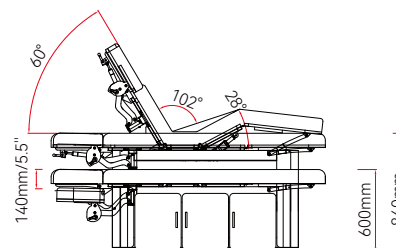


200kg
440lbs
MAX
安全载荷
Working Weight

Model: MCB1



Model: MCS1



夏洛特Charlotte

Model: MCD1



白橡木饰面
White Oak Veneer

基本功能 STANDARD FEATURE



长度 Length
75.6"/192cm



宽度 Width
31"/33.5"
79cm/85cm



高度调节
Height Adjustment
23.6"/33.8"
60cm/86cm



海绵厚度
Padding Thickness
4"/10cm



可拆卸床罩
Detachable
Table Cover

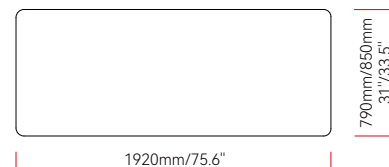


手控器
Hand Control

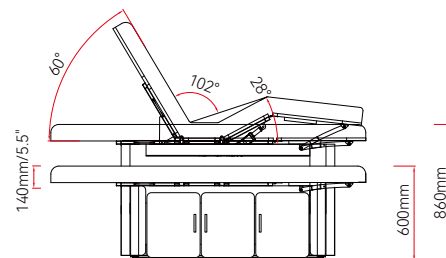


200kg
440lbs
MAX
安全载荷
Working Weight

Model: MCF1



Model: MCD1



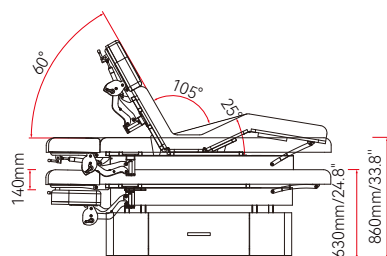
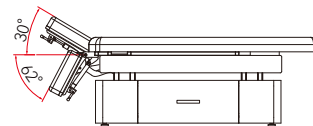
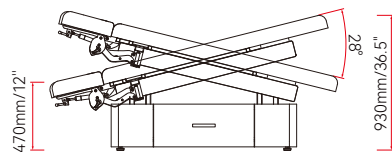
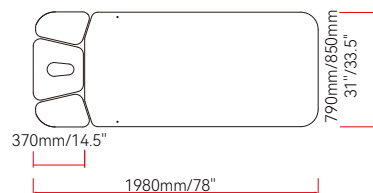
英菲尼Infinity

Model: DIS3



黑檀木饰面
Ebony Wood Veneer

Model: DIB3



基本功能 STANDARD FEATURE



长度 Length
78"/198cm



宽度 Width
31"/33.5"
79cm/85cm



高度调节
Height Adjustment
24.8"/33.8"
63cm-86cm



海绵厚度
Padding Thickness
4"/10cm



可拆卸床罩
Detachable
Table Cover



手控器
Hand Control



200kg
440lbs
MAX
安全载荷
Working Weight

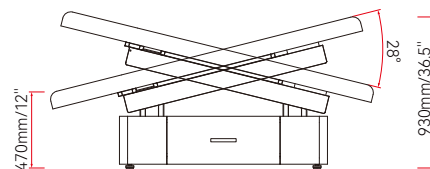
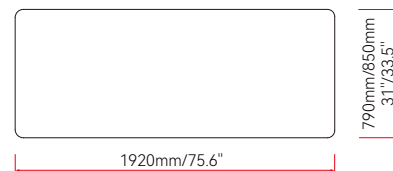
英菲尼Infinity

Model: DID3



黑檀木饰面
Ebony Wood Veneer

Model: DIF3



基本功能 STANDARD FEATURE



长度 Length
75.6"/192cm



宽度 Width
31"/33.5"
79cm/85cm



高度调节
Height Adjustment
24.8"/33.8"
63cm-86cm



海绵厚度
Padding Thickness
4"/10cm



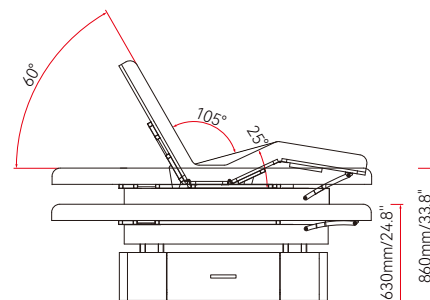
可拆卸床罩
Detachable
Table Cover



手控器
Hand Control



200kg
440lbs
MAX
安全载荷
Working Weight



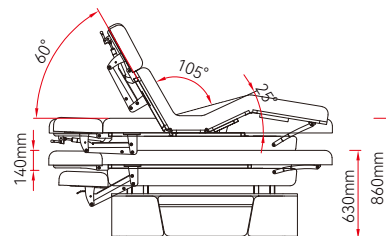
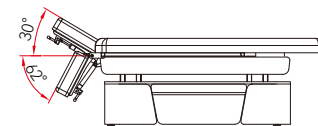
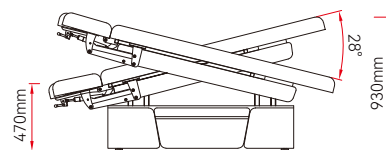
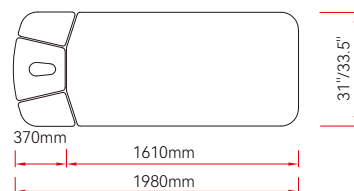
林天堂 Lynn-Heaven

Model: DLS3



乌金木饰面
Zingana Veneer

Model: DLB1



基本功能 STANDARD FEATURE



长度 Length
78"/198cm



宽度 Width
31"/33.5"
79cm/85cm



高度调节
Height Adjustment
24.8"/33.8"
63cm-86cm



海绵厚度
Padding Thickness
4"/10cm



可拆卸床罩
Detachable
Table Cover



手控器
Hand Control



200kg
440lbs
MAX
安全载荷
Working Weight

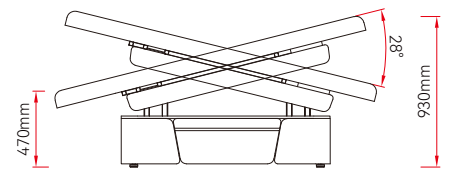
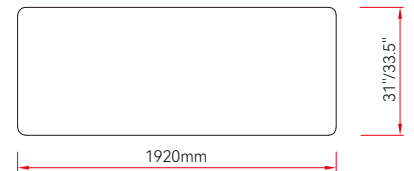
林天堂 Lynn-Heaven

Model: DLD3



乌金木饰面
Zingana Veneer

Model: DLF3



基本功能 STANDARD FEATURE



长度 Length
75.6"/192cm



宽度 Width
31"/33.5"
79cm/85cm



高度调节
Height Adjustment
24.8"/33.8"
63cm-86cm



海绵厚度
Padding Thickness
4"/10cm



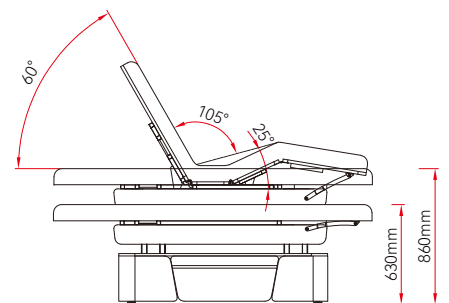
可拆卸床罩
Detachable
Table Cover



手控器
Hand Control



200kg
440lbs
MAX
安全载荷
Working Weight



奈斯Ness-B

Model: CNS1-B



桦木饰面
 Birch Veneer
 黑胡桃木饰面
 Black Walnut Veneer

基本功能 STANDARD FEATURE



长度 Length
78"/198cm



宽度 Width
31"/33.5"
79cm/85cm



高度调节
Height Adjustment
24.8"/33.8"
63cm-86cm



海绵厚度
Padding Thickness
4"/10cm



可拆卸床罩
Detachable
Table Cover

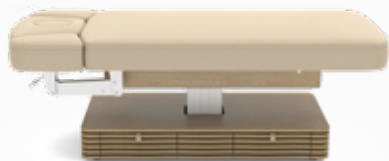


手控器
Hand Control



安全载荷
Working Weight
200kg
440lbs
MAX

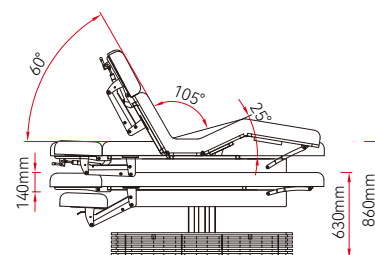
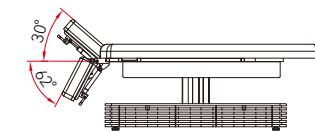
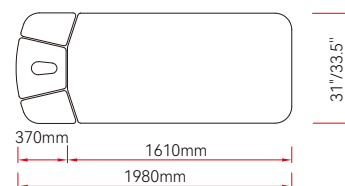
Model: CNB1-B



Model: CNB3-B

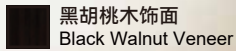


Model: CNS3-B



奈斯Ness-B

Model: CND1-B



基本功能 STANDARD FEATURE



长度 Length
75.6"/192cm



宽度 Width
31"/33.5"
79cm/85cm



高度调节
Height Adjustment
24.8"/33.8"
63cm-86cm



海绵厚度
Padding Thickness
4"/10cm



可拆卸床罩
Detachable
Table Cover

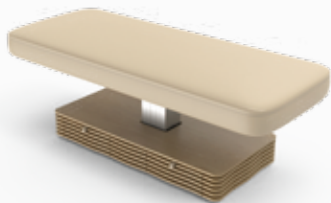


手控器
Hand Control

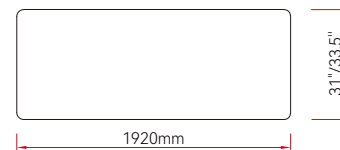
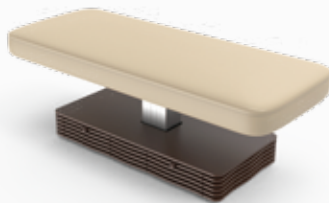


200kg
440lbs
MAX
安全载荷
Working Weight

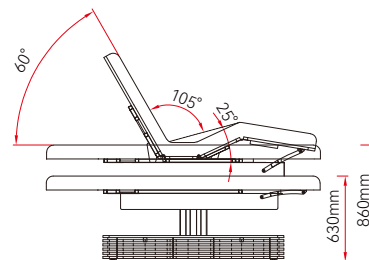
Model: CNF1-B



Model: CNF3-B



Model: CND3-B



奈斯Ness-C

Model: CNS3-C



桦木饰面
 Birch Veneer
 黑胡桃木饰面
 Black Walnut Veneer

基本功能 STANDARD FEATURE



长度 Length
78"/198cm



宽度 Width
31"/33.5"
79cm/85cm



高度调节
Height Adjustment
24.8"/33.8"
63cm-86cm



海绵厚度
Padding Thickness
4"/10cm



可拆卸床罩
Detachable
Table Cover



手控器
Hand Control

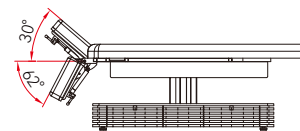
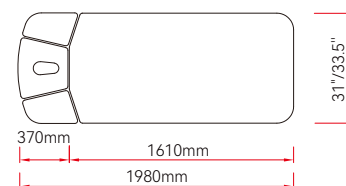


安全载荷
Working Weight
200kg
440lbs
MAX

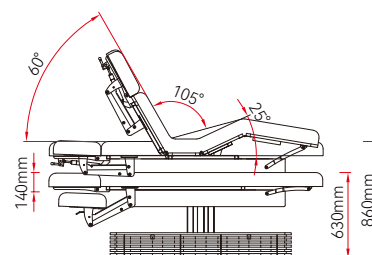
Model: CNB3-C



Model: CNB1-C



Model: CNS1-C



奈斯Ness-C

Model: CND1-C



 桦木饰面
Birch Veneer

 黑胡桃木饰面
Black Walnut Veneer

基本功能 STANDARD FEATURE



长度 Length
75.6"/192cm



宽度 Width
31"/33.5"
79cm/85cm



高度调节
Height Adjustment
24.8"/33.8"
63cm-86cm



海绵厚度
Padding Thickness
4"/10cm



可拆卸床罩
Detachable
Table Cover

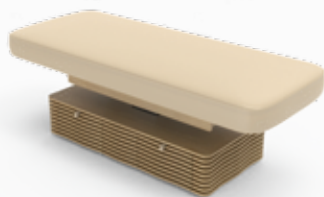


手控器
Hand Control

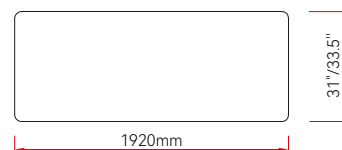
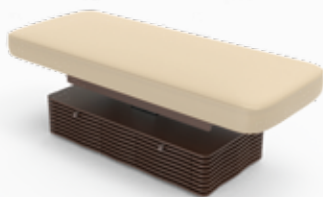


200kg
440lbs
MAX
安全载荷
Working Weight

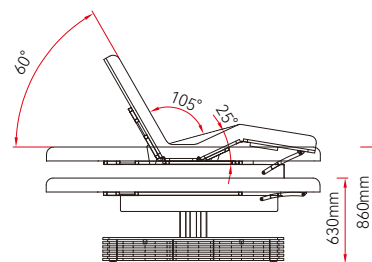
Model: CNF1-C



Model: CNF3-C




Model: CND3-C




奈斯Ness-D

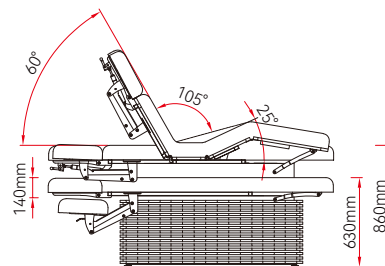
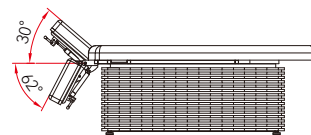
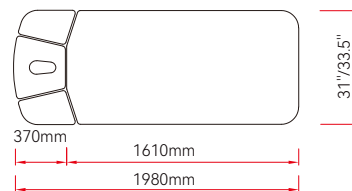
Model: CNS3-D



 桦木饰面
Birch Veneer

 黑胡桃木饰面
Black Walnut Veneer

Model: CNB3-D



基本功能 STANDARD FEATURE



长度 Length
78"/198cm



宽度 Width
31"/33.5"
79cm/85cm



高度调节
Height Adjustment
24.8"/33.8"
63cm-86cm



海绵厚度
Padding Thickness
4"/10cm



可拆卸床罩
Detachable
Table Cover



手控器
Hand Control



200kg
440lbs
MAX
安全载荷
Working Weight

奈斯Ness-D

Model: CND3-D



 桦木饰面
Birch Veneer

 黑胡桃木饰面
Black Walnut Veneer

基本功能 STANDARD FEATURE



长度 Length
75.6"/192cm



宽度 Width
31"/33.5"
79cm/85cm



高度调节
Height Adjustment
24.8"/33.8"
63cm-86cm



海绵厚度
Padding Thickness
4"/10cm



可拆卸床罩
Detachable
Table Cover

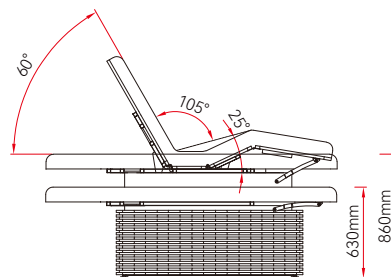
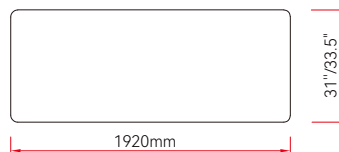
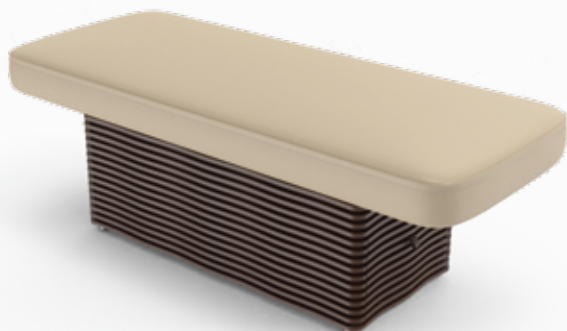


手控器
Hand Control



200kg
440lbs
MAX
安全载荷
Working Weight

Model: CNF3-C



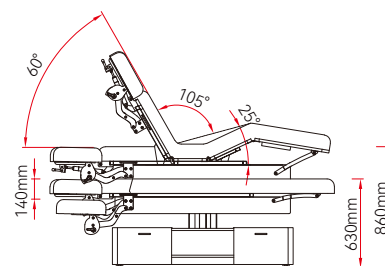
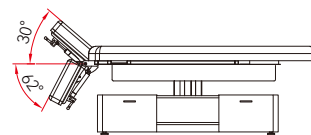
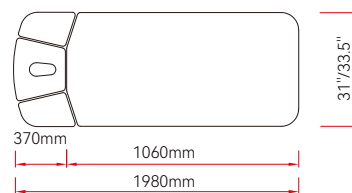
福瑞蒙Fremont

Model: CFS3



黑檀木饰面
Ebony Wood Veneer

Model: CFB3



基本功能 STANDARD FEATURE



长度 Length
78"/198cm



宽度 Width
31"/33.5"
79cm/85cm



高度调节
Height Adjustment
24.8"/33.8"
63cm-86cm



海绵厚度
Padding Thickness
4"/10cm



可拆卸床罩
Detachable
Table Cover



手控器
Hand Control



200kg
440lbs
MAX
安全载荷
Working Weight

福瑞蒙 Frement

Model: CFD3



黑檀木饰面
Ebony Wood Veneer

基本功能 STANDARD FEATURE



长度 Length
75.6"/192cm



宽度 Width
31"/33.5"
79cm/85cm



高度调节
Height Adjustment
24.8"/33.8"
63cm-86cm



海绵厚度
Padding Thickness
4"/10cm



可拆卸床罩
Detachable
Table Cover

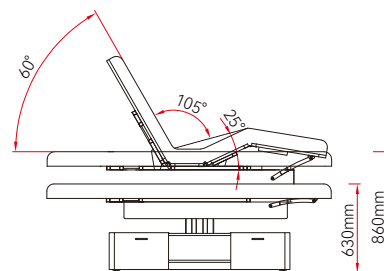
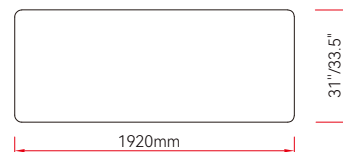


手控器
Hand Control



200kg
440lbs
MAX
安全载荷
Working Weight

Model: CFF3



金斯利-Kingley

Model: CKS7



黑色饰面
Black Paint
 白色饰面
White Painting

基本功能 STANDARD FEATURE



长度 Length
78"/198cm



宽度 Width
31"/33.5"
79cm/85cm



高度调节
Height Adjustment
24.8"/33.8"
63cm-86cm



海绵厚度
Padding Thickness
4"/10cm



可拆卸床罩
Detachable
Table Cover



手控器
Hand Control

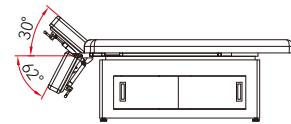
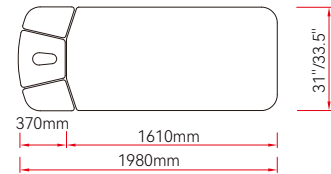


200kg
440lbs
MAX
安全载荷
Working Weight

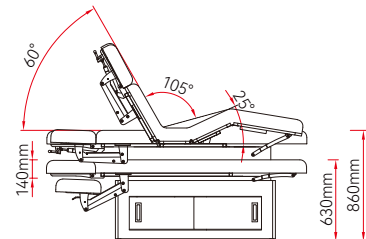
Model: CKB7



Model: CKB2



Model: CKS2



金斯利-Kingley

Model: CKD7



■ 黑色饰面 Black Paint
□ 白色饰面 White Painting

基本功能 STANDARD FEATURE



长度 Length
75.6"/192cm



宽度 Width
31"/33.5"
79cm/85cm



高度调节
Height Adjustment
24.8"/33.8"
63cm-86cm



海绵厚度
Padding Thickness
4"/10cm



可拆卸床罩
Detachable
Table Cover



手控器
Hand Control

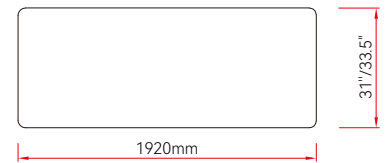
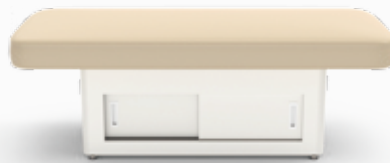


200kg
440lbs
MAX
安全载荷
Working Weight

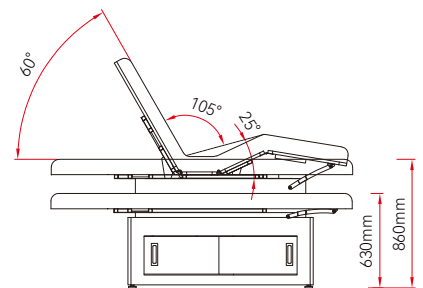
Model: CKF7



Model: CKF2




Model: CKD2

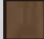


暮Twilight

Model: CTS3



- 

欧洲檀木饰面
European Sandalwood
- 

胡桃木饰面
Walnut Veneer

基本功能 STANDARD FEATURE



长度 Length
78"/198cm



宽度 Width
31"/33.5"
79cm/85cm



高度调节
Height Adjustment
24.8"/33.8"
63cm-86cm



海绵厚度
Padding Thickness
4"/10cm



可拆卸床罩
Detachable
Table Cover



手控器
Hand Control



安全载荷
Working Weight
200kg
440lbs
MAX

Model: CTB3



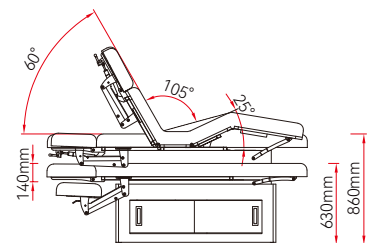
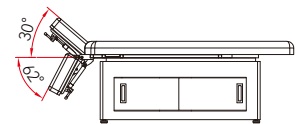
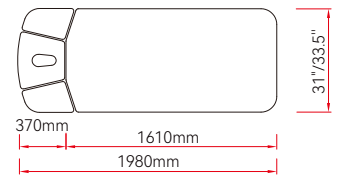
Model: CTB1



Model: CTS3



Model: CTS1



暮Twilight

Model: CTD1



欧洲檀木饰面
 European Sandalwood
 胡桃木饰面
 Walnut Veneer

基本功能 STANDARD FEATURE



长度 Length
75.6"/192cm



宽度 Width
31"/33.5"
79cm/85cm



高度调节
Height Adjustment
24.8"/33.8"
63cm-86cm



海绵厚度
Padding Thickness
4"/10cm



可拆卸床罩
Detachable
Table Cover



手控器
Hand Control

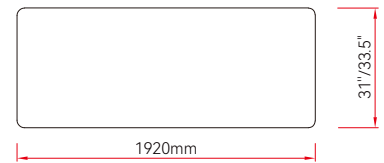


200kg
440lbs
MAX
安全载荷
Working Weight

Model: CTF1



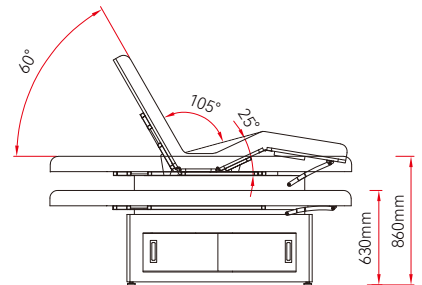
Model: CTF3



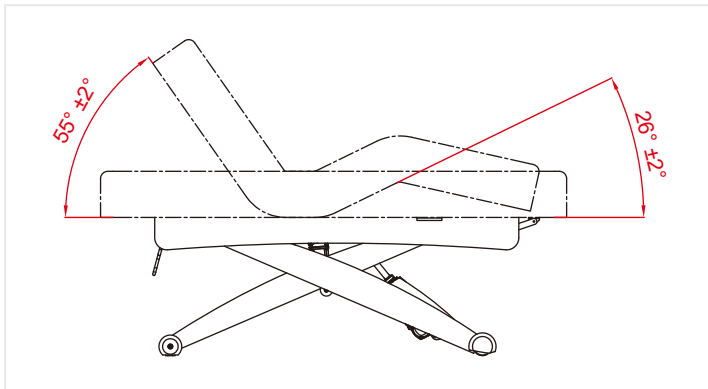
Model: CTD1



Model: CTD3



Starlet SPA Bed



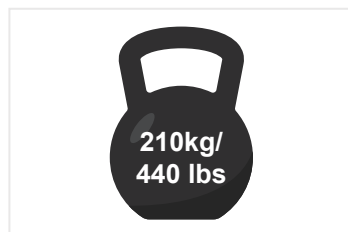
Specification:

- Length: 75.6"/192cm
- Width: 31"/78.7cm, 33.5"/85cm
- Height Range: 21"/54cm~41"/104cm
- Net Weight: 200 lbs/ 91kg
- Gross Weight: 220 lbs /100kg
- Package Size: 40"/200cm x 33"/85cm(36"/92cm) x 25"/64cm

Standard Features:



Hand Controller



Max Working Weight



Detachable PU Table Cover



7.5"/19cm ElevaFlex™
Padding System

Salon SPA Bed Series

Optional Features:



Face Cushion



Face Cradle



Breath Hole and Filler



6.5"/16cm ElevaFlex™
Padding System

Oak Color:



Starlet Spa-Flat (Item Code: DSF)



Starlet Spa-Tilt (Item Code: DSL)



Starlet Spa-Deluxe (Item Code: DSD)

Walnut Color:



Starlet Spa-Flat (Item Code: DSF)



Starlet Spa-Tilt (Item Code: DSL)



Starlet Spa-Deluxe (Item Code: DSD)

Constructions:



High quality steel construction frame with hard wood decoration



Equipped with wheels for easily transporting

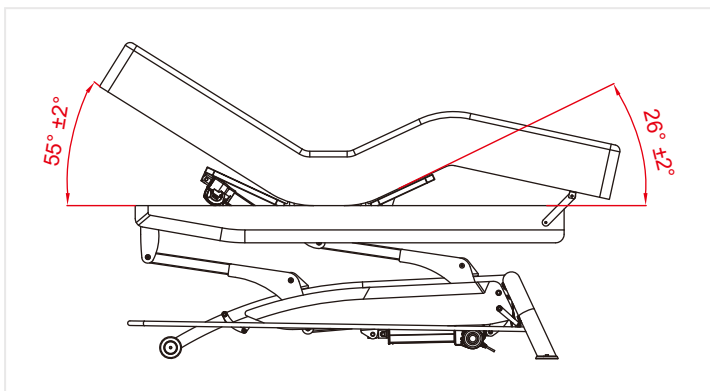


German Brand Dewert Motor and Actuators



Stable and Stylish Wood Decoration

GoodWill Electric Salon SPA Bed



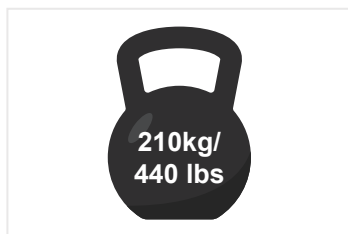
Specification:

- Length: 75.6"/192cm
- Width: 31"/78.7cm, 33.5"/85cm
- Height Range: 24"/60cm~43"/109cm
- Net Weight: 188 lbs/ 85kg
- Gross Weight: 207 lbs /94kg
- Package Size: 40"/200cm x 33"/85cm(36"/92cm) x 25"/64cm

Standard Features:



Hand Controller



Max Working Weight



Detachable PU Table Cover



7.5"/19cm ElevaFlex™
Padding System

Salon SPA Bed Series

Optional Features:



Walk-free Height Control



Face Cushion Support



Breath Hole and Filler



6.5"/16cm ElevaFlex™
Padding System

Oak Color:



GoodWill Spa-Flat
(Item Code: DGF+W)



GoodWill Spa-Tilt
(Item Code: DGL+W)



GoodWill Spa-Deluxe
(Item Code: DGD+W)

Walnut Color:



GoodWill Spa-Flat
(Item Code: DGF+W)



GoodWill Spa-Tilt
(Item Code: DGL+W)



GoodWill Spa-Deluxe
(Item Code: DGD+W)

Constructions:



Heavy Steel Frame with wood
décor

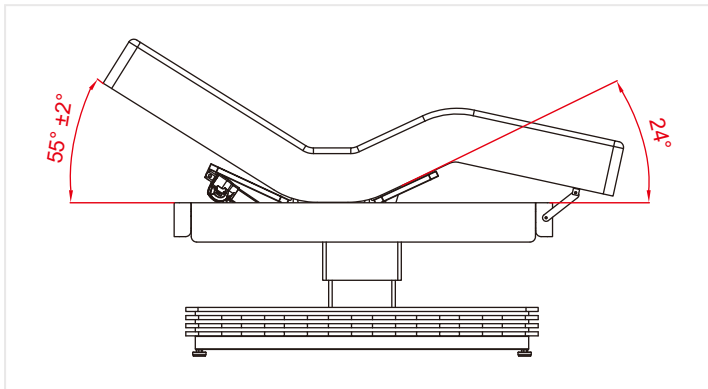


Waved Solid Wood
Decoration



Equipped with wheels for
easily transporting

Ness Salon SPA Bed



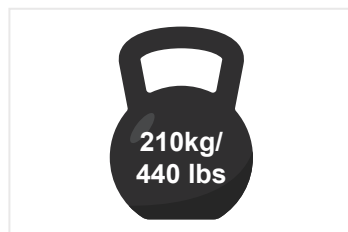
Specification:

- Length: 75.6"/192cm
- Width: 31"/78.7cm, 33.5"/85cm
- Height Range: 28"/71cm~37"/94cm
- Net Weight: 214 lbs/ 97kg
- Gross Weight: 234 lbs /106kg
- Package Size: 40"/200cm x 33"/85cm(36"/92cm) x 30"/76cm

Standard Features:



Hand Controller



Max Working Weight



Detachable PU Table Cover



7.5"/19cm ElevaFlex™
Padding System

Salon SPA Bed Series

Optional Features:



Face Cushion Support



Breath Hole and Filler



6.5''/16cm ElevaFlex™
Padding System

Oak Color:



Ness Spa-Flat
(Item Code: DNF)



Ness Spa-Liftback
(Item Code: DNL)



Ness Spa-Deluxe
(Item Code: DND)

Walnut Color:



Ness Spa-Flat
(Item Code: DNF)



Ness Spa-Liftback
(Item Code: DNL)



Ness Spa-Deluxe
(Item Code: DND)

Constructions:



High duty single column
wooden pedestal



4 Layers of plywood decoration



Adjusting foot pad

Camino

Physical Treatment Tables



Paper Roll Holder



Stand-by Castor System



Walk-Free Height Control



Electrical Safety Lock

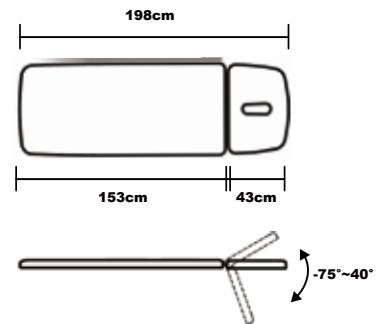
Camino Treatment Basic

CTB -

--	--	--	--	--	--	--	--	--	--	--	--

 1 2 3 4 5 6 7 8 9 10 11

CTB is the first model of Camino series, and it is also a classic design normally used by physiotherapists. It can be used for many purposes such as consulting room examination, massage, B-ultrasound, bone setting, spine treatment, etc. This utility model has a pneumatic adjustable head, which can adjust an angle of $-75^{\circ} \sim 40^{\circ}$, and can be used for leg inspection or as a headrest.



Specification:

- Length: 78"/198cm
- Width: 22"/56cm, 25"/64cm, 27"/69cm, 29"/74cm
- Height: 19.5"/49.5cm~37.6"/95.5cm
- Foam: 2.5"/6.4cm
- Lifting Capacity: 440lbs/ 200kg
- Working Weight: 600lbs/272kg
- Product Weight: 136lbs/62kg

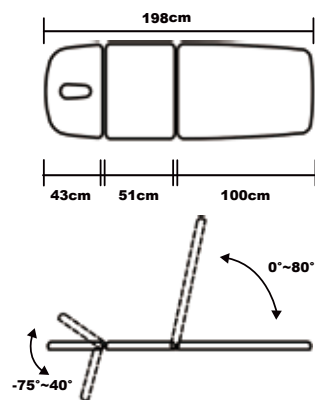
Camino Treatment Cabell

CTC -

--	--	--	--	--	--	--	--	--	--	--	--

 1 2 3 4 5 6 7 8 9 10 11

The sturdy Camino Treatment Cabell treatment table supports multiple posture adjustments. A double-sided synchronous pneumatic control of the tail-adjustment mechanism makes it more sturdy, and achieves quiet and fast adjustment. The head section can be pneumatically adjusted from $-75^{\circ} \sim 40^{\circ}$.



Specification:

- Length: 78"/198cm
- Width: 22"/56cm, 25"/64cm, 27"/69cm, 29"/74cm
- Height: 19.5"/49.5cm~37.6"/95.5cm
- Foam: 2.5"/6.4cm
- Lifting Capacity: 440lbs/ 200kg
- Working Weight: 600lbs/272kg
- Product Weight: 169lbs/77kg

Camino Treatment Infinity

CTI -

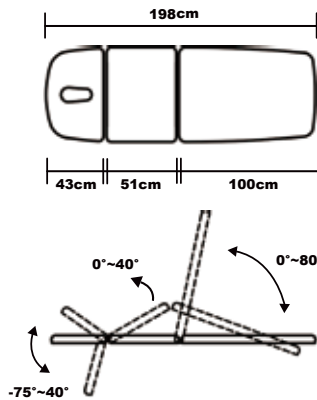
--	--	--	--	--	--	--	--	--	--	--

 1 2 3 4 5 6 7 8 9 10 11

The Camino Treatment Infinity multi-functional diagnosis and treatment bed offers more posture adjustments. In addition to the -75° to 40° pneumatic head section adjustment and the 0° ~ 80° tail section angle adjustment, it also has a 40° middle section adjustment. It provides both users and doctors with a comfortable posture regardless of whether the user is in a sitting position, supine position, or prone position.



Video



Specification:

- Length: 78"/198cm
- Width: 22"/56cm, 25"/64cm, 27"/69cm, 29"/74cm
- Height: 19.5"/49.5cm~37.6"/95.5cm
- Foam: 2.5"/6.4cm
- Lifting Capacity: 440lbs/ 200kg
- Working Weight: 600lbs/272kg
- Product Weight: 174lbs/79kg

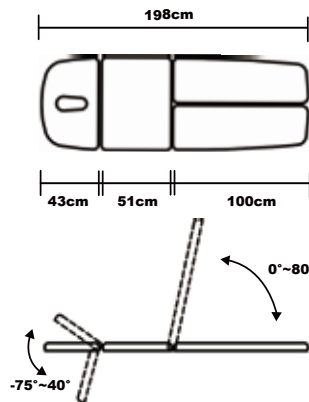
Camino Treatment Scissors

CTS -

--	--	--	--	--	--	--	--	--	--	--

 1 2 3 4 5 6 7 8 9 10 11

CTS with its Leg First feature can provide better body posture for leg and waist examination and treatment. Two tail section can provide independent pneumatic controlled angle adjustment of 0° ~ 80° . Its -75° to 40° pneumatic angle adjustable head piece, can help patients to maintain a good sitting, prone or supine posture.



Specification:

- Length: 78"/198cm
- Width: 27"/69cm, 29"/74cm
- Height: 19.5"/49.5cm~37.6"/95.5cm
- Foam: 2.5"/6.4cm
- Lifting Capacity: 440lbs/ 200kg
- Working Weight: 600lbs/272kg
- Product Weight: 176lbs/80kg

Camino Treatment Russell

CTR -

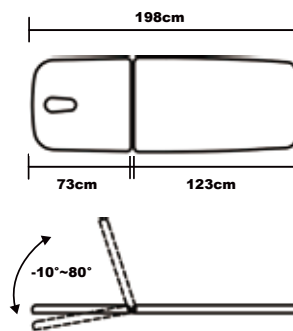
--	--	--	--	--	--	--	--	--	--	--

 1 2 3 4 5 6 7 8 9 10 11

CTR is a multi-functional diagnosis and treatment bed with high popularity. 50% of the users are from massage and beauty market, and 50% of the users are from medical field. Massage and beauty users tend to use a 3" thick and soft sponge system, while medical users tend to use a 2-2.5" thick hard sponge system. The -10° ~ 80° tilting backrest angle can meet the needs of supine and prone users.



Video



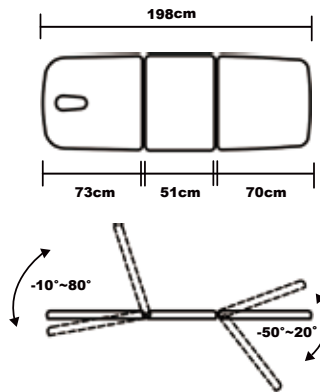
Specification:

- Length: 78"/198cm
- Width: 22"/56cm, 25"/64cm, 27"/69cm, 29"/74cm
- Height: 19.5"/49.5cm~37.6"/95.5cm
- Foam: 2.5"/6.4cm
- Lifting Capacity: 440lbs/ 200kg
- Working Weight: 600lbs/272kg
- Product Weight: 147lbs/67kg

Camino Treatment Danvers

C	T	D	-								
1	2	3		4	5	6	7	8	9	10	11

The CTD 3 section treatment / therapy table is a very strong and versatile three-section couch featuring an adjustable angle backrest and foot section support for positioning the patient for various sitting or lying procedures. Both the backrest and foot section are easily adjustable, featuring a smooth anti-entrapment gas operated back & foot rest, and Hemet Medical guarantee this table forms the backbone of many clinics.



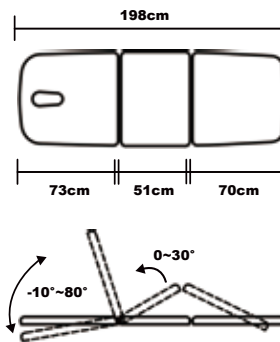
Specification:

- Length: 78"/198cm
- Width: 22"/56cm, 25"/64cm, 27"/69cm, 29"/74cm
- Height: 19.5"/49.5cm~37.6"/95.5cm
- Foam: 2.5"/6.4cm
- Lifting Capacity: 440lbs/ 200kg
- Working Weight: 600lbs/272kg
- Product Weight: 147lbs/67kg

Camino Treatment Avalon

C	T	A	-								
1	2	3		4	5	6	7	8	9	10	11

This CTA electric treatment table with 3 sections and 2 electric motors allows for many configurations. The central fold, adjustable by electric motor, provides great versatility and many possibilities. This is a very strong and rigid bed designed for various manipulation and mobilization procedures and techniques. This model features a pneumatically adjusted backrest and an electrically adjusted middle section, providing additional comfort for patients.



Specification:

- Length: 78"/198cm
- Width: 22"/56cm, 25"/64cm, 27"/69cm, 29"/74cm
- Height: 19.5"/49.5cm~37.6"/95.5cm
- Foam: 2.5"/6.4cm
- Lifting Capacity: 440lbs/ 200kg
- Working Weight: 600lbs/272kg
- Product Weight: 167lbs/76kg

Camino Bobath Flat

C	B	F	-								
1	2	3		4	5	6	7	8	9	10	11

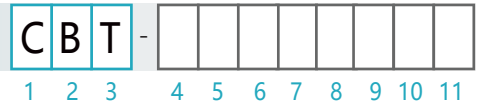
Designed for treatment of adults and children with diagnosed problems with the central nervous system, motor neuron disorders and patients with loss of sensory ability or poor balance. It is used also for Bobath and Vojta therapy, orthopedic treatment or therapy after apoplexy. The generous bed space gives patients and therapists considerable room to complete various rehabilitation exercises.



Specification:

- Length: 79"/200cm
- Width: 39.5"/100cm, 47"/120cm
- Height: 19.5"/49.5cm~37.6"/95.5cm
- Foam: 2.5"/6.4cm
- Lifting Capacity: 440lbs/ 200kg
- Working Weight: 600lbs/272kg
- Product Weight: 176lbs/80kg

Camino Bobath Tilt



Specially designed for treating patients with neurological conditions. With a treatment area of 120cm x 200cm and low 46cm minimum height provides excellent access for patients with limited mobility or wheelchair transfers. The electric lifting bed comprises a lifting bed body and an adjustable backrest disposed on the bed body. The backrest section positioned by imported double structured synchronous pneumatic springs, safe and reliable.

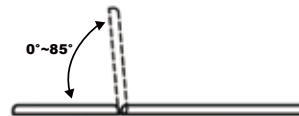


Video



Specification:

- Length: 79"/200cm
- Width: 39.5"/100cm, 47"/120cm
- Height: 19.5"/49.5cm~37.6"/95.5cm
- Foam: 2.5"/6.4cm
- Lifting Capacity: 440lbs/ 200kg
- Working Weight: 600lbs/272kg
- Product Weight: 185lbs/84kg



Bobath Round Bolster



Bobath Round Bolster

Bobath bolster adopts hard styrofoam round mandrel, wrapped with 2cm medium hardness recycled sponge and PU vinyl cover on the surface. It can be used for balance and coordination training in hemiplegia, cerebral palsy and other dyskinesia patients.

- Φ20cm * 80cm (Model: BR2080)
- Φ20cm * 160cm (Model: BR2016)
- Φ30cm * 80cm (Model: BR3080)
- Φ30cm * 160cm (Model: BR3016)
- Φ40cm * 80cm (Model: BR4080)
- Φ40cm * 160cm (Model: BR4016)

Camino Leg Support Bracket

Leg Support Bracket (Model Code: CSB01)

Leg support bracket can be installed on the Bobath table to provide patients with better leg and body support. The height-adjustable table mat can be adjusted according to the needs of treatment.



Tips:

Leg Support Bracket can be installed on all sizes of Camino Flat and Camino Tilt.

Echo

Electric Treatment Table



Our new line of Echo electric treatment tables designed to offer an alternative to the popular Camino Series. The Echo tables feature a completely redesigned lower metal base, making them 2 kg lighter, while retaining the same high-quality table top, motors, hardware and upper metal frame as the Camino Series. With specifications nearly identical to the Camino tables, the Echo Series delivers the same reliable performance at an economy price, providing a cost-effective option for those who value quality and affordability.

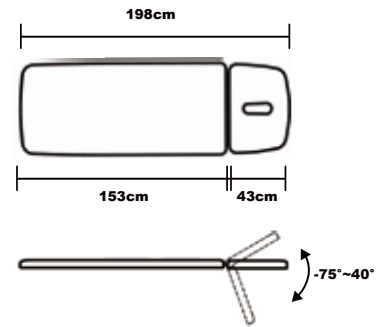
Echo Treatment Basic

ETB -

--	--	--	--	--	--	--	--	--	--	--

 1 2 3 4 5 6 7 8 9 10 11

Echo is the first model of Echo series, and it is also a classic design normally used by physiotherapists. It can be used for many purposes such as consulting room examination, massage, B-ultrasound, bone setting, spine treatment, etc. This utility model has a pneumatic adjustable head, which can adjust an angle of $-75^{\circ} \sim 40^{\circ}$, and can be used for leg inspection or as a headrest.



Specification:

- Length: 78"/198cm
- Width: 22"/56cm, 25"/64cm, 27"/69cm, 29"/74cm
- Height: 19"/48cm~37"/95cm
- Foam: 2.5"/6.4cm
- Lifting Capacity: 440lbs/ 200kg
- Working Weight: 600lbs/272kg
- Product Weight: 136lbs/62kg

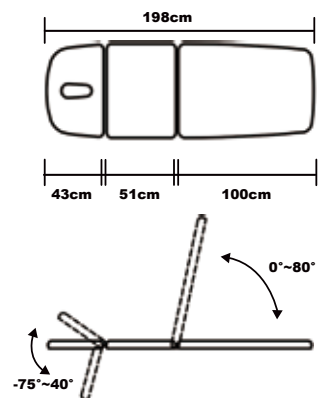
Echo Treatment Cabell

ETC -

--	--	--	--	--	--	--	--	--	--	--

 1 2 3 4 5 6 7 8 9 10 11

The sturdy Echo Treatment Cabell treatment table supports multiple posture adjustments. A double-sided synchronous pneumatic control of the tail-adjustment mechanism makes it more sturdy, and achieves quiet and fast adjustment. The head section can be pneumatically adjusted from $-75^{\circ} \sim 40^{\circ}$.



Specification:

- Length: 78"/198cm
- Width: 22"/56cm, 25"/64cm, 27"/69cm, 29"/74cm
- Height: 19"/48cm~37"/95cm (Dewert)
- Foam: 2.5"/6.4cm
- Lifting Capacity: 440lbs/ 200kg
- Working Weight: 600lbs/272kg
- Product Weight: 169lbs/77kg

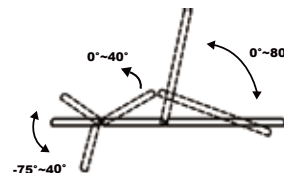
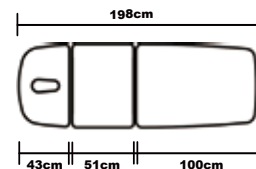
Echo Treatment Infinity

ETI -

--	--	--	--	--	--	--	--	--	--	--

 1 2 3 4 5 6 7 8 9 10 11

The Echo Treatment Infinity multi-functional diagnosis and treatment bed offers more posture adjustments. In addition to the -75° to 40° pneumatic head section adjustment and the 0° ~ 80° tail section angle adjustment, it also has a 40° middle section adjustment. It provides both users and doctors with a comfortable posture regardless of whether the user is in a sitting position, supine position, or prone position.



Specification:

- Length: 78"/198cm
- Width: 22"/56cm, 25"/64cm, 27"/69cm, 29"/74cm
- Height: 19"/48cm~37"/95cm
- Foam: 2.5"/6.4cm
- Lifting Capacity: 440lbs/ 200kg
- Working Weight: 600lbs/272kg

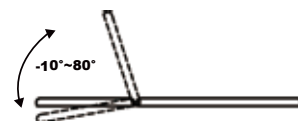
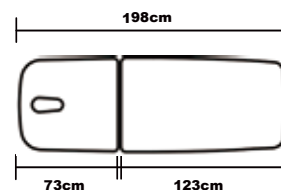
Echo Treatment Russell

ETR -

--	--	--	--	--	--	--	--	--	--	--

 1 2 3 4 5 6 7 8 9 10 11

ETR is a multi-functional diagnosis and treatment bed with high popularity. 50% of the users are from massage and beauty market, and 50% of the users are from medical field. Massage and beauty users tend to use a 3" thick and soft sponge system, while medical users tend to use a 2-2.5" thick hard sponge system. The -10° ~ 80° tilting backrest angle can meet the needs of supine and prone users.



Specification:

- Length: 78"/198cm
- Width: 22"/56cm, 25"/64cm, 27"/69cm, 29"/74cm
- Height: 19"/48cm~37"/95cm (Dewert)
- Foam: 2.5"/6.4cm
- Lifting Capacity: 440lbs/ 200kg
- Working Weight: 600lbs/272kg
- Product Weight: 147lbs/67kg

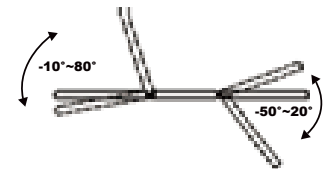
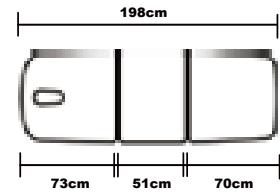
Echo Treatment Danvers

ETD -

--	--	--	--	--	--	--	--	--	--	--	--

 1 2 3 4 5 6 7 8 9 10 11

The ETD 3 section treatment / therapy table is a very strong and versatile three-section couch featuring an adjustable angle backrest and foot section support for positioning the patient for various sitting or lying procedures. Both the backrest and foot section are easily adjustable, featuring a smooth anti-entrapment gas operated back & foot rest, and Hemet Medical guarantee this table forms the backbone of many clinics.



Specification:

- Length: 78"/198cm
- Width: 22"/56cm, 25"/64cm
27"/69cm, 29"/74cm
- Height: 19"/48cm~37"/95cm (Dewert)
- Foam: 2.5"/6.4cm
- Lifting Capacity: 440lbs/ 200kg
- Working Weight: 600lbs/272kg
- Product Weight: 147lbs/67kg

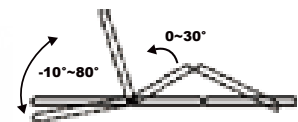
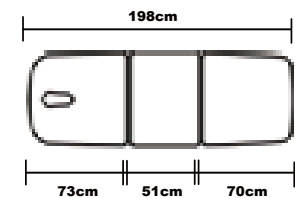
Echo Treatment Avalon

ETA -

--	--	--	--	--	--	--	--	--	--	--	--

 1 2 3 4 5 6 7 8 9 10 11

This ETA electric treatment table with 3 sections and 2 electric motors allows for many configurations. The central fold, adjustable by electric motor, provides great versatility and many possibilities. This is a very strong and rigid bed designed for various manipulation and mobilization procedures and techniques. This model features a pneumatically adjusted backrest and an electrically adjusted middle section, providing additional comfort for patients.



Specification:

- Length: 78"/198cm
- Width: 22"/56cm, 25"/64cm,
27"/69cm, 29"/74cm
- Height: 19"/48cm~37"/95cm (Dewert)
- Foam: 2.5"/6.4cm
- Lifting Capacity: 440lbs/ 200kg
- Working Weight: 600lbs/272kg
- Product Weight: 167lbs/76kg

POSITION CODE 4

Control System

- A - Single Pedal
- B - Double Pedal
- C - Single Pedal+ Side Control
- D - Single Pedal+ 2 Button Hand Control
- E - Single Pedal+ 4 Button Hand Control
- F - Hand Control
- G - Walk-Free Control
- H - Walk-Free Control + Side Control
- I - Walk-Free Control + Hand Control

POSITION CODE 5

Breath Hole Design

- A - No Breath Hole
- B - One Breath Hole + Filler
- C - One Breath Hole + Neck Pillow
- D - Two Breath Hole + Filler
- E - Face Cushion Cut Out Design
- F - Two Breath Hole + Neck Pillow

POSITION CODE 6

Front Arms

- 1 - With Height Adjustable Front Arms
- 2 - Rotatable and Adjustable Front Arms
- 0 - Without Front Arms

POSITION CODE 7

Side Armrest

- 1 - With Revolving Side Armrest
- 2 - With Revolving Guardrail
- 3 - With Rotatable Side Armrest
- 0 - Without Anything

POSITION CODE 8

Stand-by Castor System

- 1 - With Stand-by Castor System
- 0 - Without Stand-by Castor System

POSITION CODE 9

Electrical Safety Lock

- 1 - With Electrical Safety Lock
- 0 - Without Electrical Safety Lock

POSITION CODE 10

Paper Roll Holder

- 1 - With Paper Roll Holder
- 0 - Without Paper Roll Holder

POSITION CODE 11

Sponge System

- 1 - Soft Polyurethane Foam
- 2 - Hard Polyurethane Foam
- 3 - Self-Skin Injection Foam

Model:

C	T	C	-	G	B	1	1	1	1	1	3
---	---	---	---	---	---	---	---	---	---	---	---

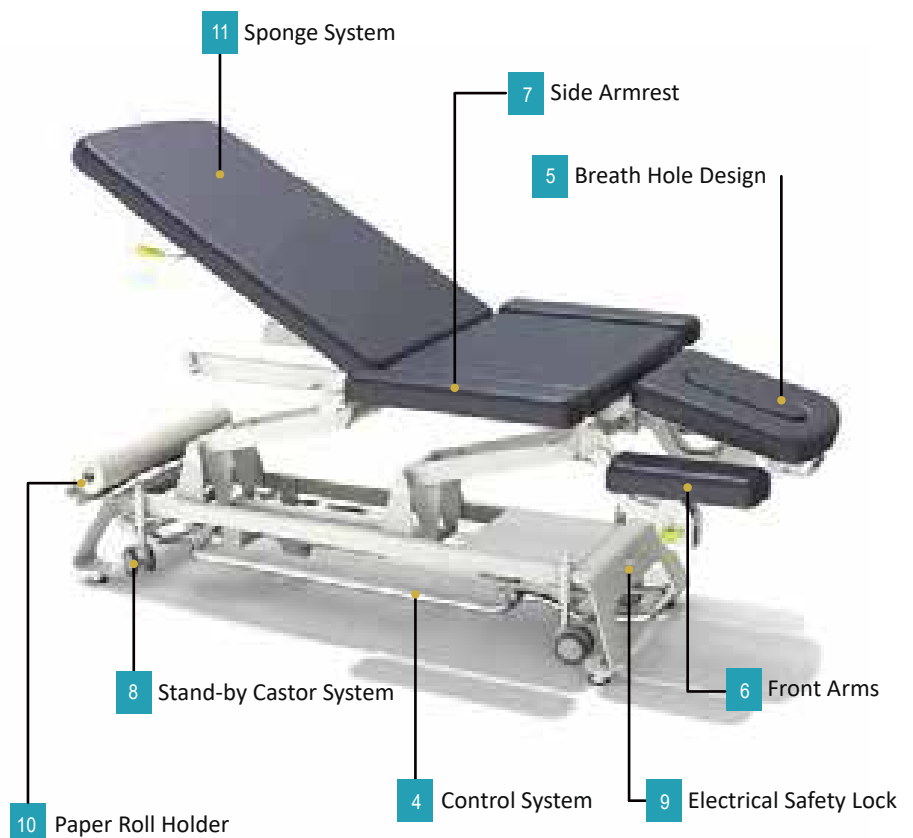
Code Position

1	2	3	-	4	5	6	7	8	9	10	11
---	---	---	---	---	---	---	---	---	---	----	----

Model Codes

Option codes

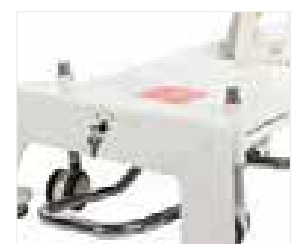
Camino & Echo product code consists of three model codes, eight option codes. These seven option codes for Camino table depend on the configuration of various options available. Each position in the code has a specific meaning, and corresponds to one or more characteristics of the table. Our standard model of Camino itself does not contain Walk-free Control, Front Armrests, Side Armrests, Guardrails, Stand-by Castor System, Paper Roll Holder, Electrical Safety Lock, all optional parts need to be purchased separately. All standard models adopt polyurethane sponge mattress, and self-skin sponge system is allowed for limited models and sizes.



Revolving Guardrail

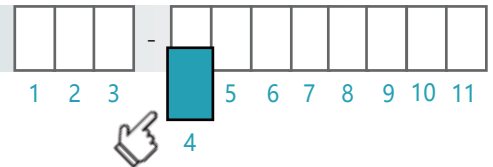


Face Cushion Cut Out & Filler



Electrical Safety Lock

POSITION 4



Control System

We provide a variety of motor control options, all controllers must be installed in advance by original factory. Please indicate in advance when ordering.



A Single Pedal
Standard controller of CTB, CTC, CTS, CTR, CTD, CBF, CBT, CMF, CMT. It is used to raise or lower the height of the table.



B Double Pedal
Standard controller of CTI & CTA, CMD. It's responsible to raise/lower the height of the table and control the middle section's lifting angle.



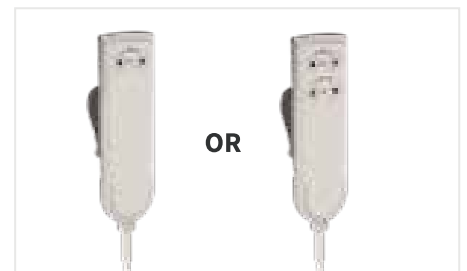
C Single Pedal + Side Control
Foot Pedal is for adjusting the height of the table, Side Control is for raising or lowering the middle section of CTI, CTA & CMD.



D Single Pedal + 2 Button Hand Control
It is applicable to CTB, CTC, CTS, CTR, CTD, CBF, CBT models. Foot Pedal and Hand Control are used to adjust the height of the bed. Not available for CTI, CTA & CMD.



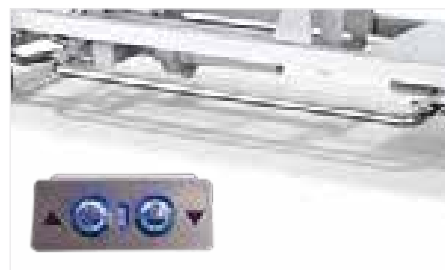
E Single Pedal + 4 Button Hand Control
For CTI, CTA & CMD, Foot Pedal is for adjusting the height of the table, hand control is for adjusting the height of the table as well as the mid-lift of the table.



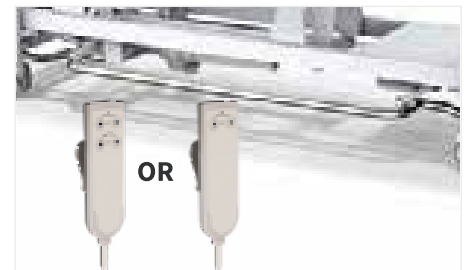
F Hand Control
2 Button Hand Control is for adjusting the height of the table. 4 Button Hand Control is for raising/lowering the height of the table and controlling the mid-lift of the table.



G Walk-Free Control
Walk-Free Control makes height adjustment easily from all the way around the bed. It is applicable to CTB, CTC, CTS, CTR, CTD, CBF, CBT models.

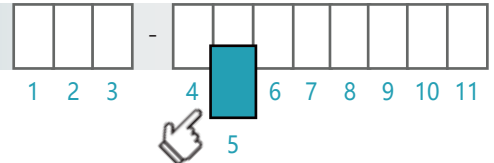


H Walk-Free Control + Side Control
Walk-Free Control is for adjusting the height of the table. Side Control is for raising or lowering the middle section. It is applicable to CTI, CTA & CMD models.



I Walk-Free Control + Hand Control
Walk-Free Control is for adjusting the table's height. 4 Button Hand Control is for raising/lowering the height of the table and the middle section of the table.

POSITION 5



Breath Hole Design

The breath hole and face cushion cut-out design were set in advance by original factory. Please indicate in advance when ordering.



A No Breath-hole



B 1 Breath Hole + Filler



C 1 Breath Hole + Neck Pillow
It is applicable to all treatment beds without front arms, or treatment beds with front arms but 29" wide. (Bobath not applicable)



D 2 Breath Hole + Filler
⚠ Suitable for Bobath table only!

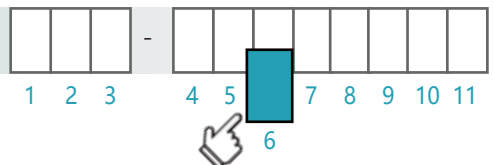


E Face Cushion Cut-out + Face Cushion + Filler
⚠ Suitable for Basic, Cabell, Infinity, Scissors



F 2 Breath Hole + Neck Pillow
⚠ Suitable for Bobath table only!

POSITION 6



Front Armrests

The height adjustable front armrests can adjust the height in the range of 0-20cm through pneumatic pump control, and can be locked at any position. It is used to support the arms of the patient when patient is in prone position. The rotatable & height adjustable front arms are fully adjustable in height and position since the arm frame can rotate and the arm cushion can rotate by itself.



1 With Height Adjustable Front Arms



2 With Rotatable & Height Adjustable Front Arms



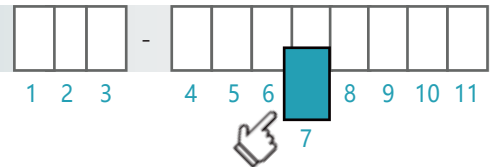
0 Without Front Arms

Tips: Tips: Front Armrest is only suitable for Camino Treatment Beds with width of 27" or more.

Rotatable & Height Adjustable Front Arms are not applied on Treatment Infinity, Bobath Flat and Bobath Tilt.

For Treatment Basic, Cabell, Scissors tables, Rotatable & Height Adjustable Front Arms cannot be installed on a table using Revolving Guardrail or Built-in Rotating Side Armrest.

POSITION 7

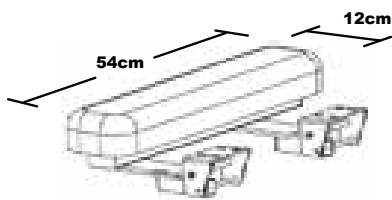


Side Armrest & Guardrails



1 With Revolving Extended Side Armrest (Part code: SA02)

When extended side armrests are rotated to horizontal position, it will provide patient larger support width and effectively improve the comfort and security of users. When you need to get closer to patient for treatment, you can flip armrest down. Side Armrest can be factory installed or purchased separately.

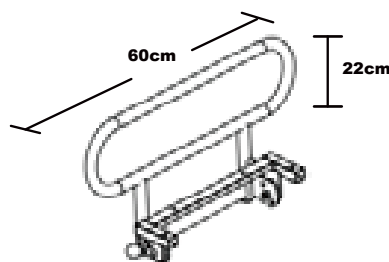


0 Without Anything



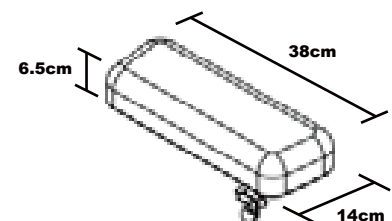
2 With Revolving Guardrail (Part code: RG04)

⚠ Cannot be installed on a table using Rotatable & Height Adjustable Front Arms
Guardrail system will prevent patient from falling or rolling out of the bed, help patient reposition, sit-up, balance, stand or transfer to a table. It can be installed in factory or by customer. The swing down feature allows this guardrail to pivot down and out of the way when getting in and out of bed or removing sheets.

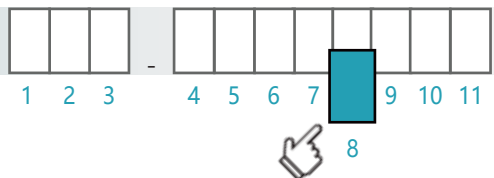


3 With Built-in Rotating Side Armrest

⚠ Cannot be installed on a table using Rotatable & Height Adjustable Front Arms
The built-in rotating armrests will not increase the support width of the bed, but the rotating and swinging structure and locking mechanism will make removing the armrest operation easier, when doctors need space to reach the patient's chest and back, or to be closer to the patient.



POSITION 8



Stand-by Castor System

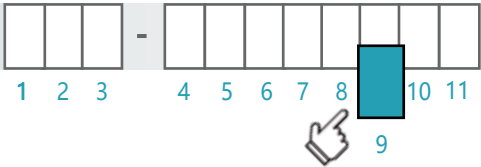


The liftable Stand-by Castor System adopts the medical castors and the connecting rod operating system. The four castors can be released and retracted synchronously by foot pedal control. The bed can be moved easily when wheels are released, and the stability of the bed will be increased when the castors are folded up. Castor system must be installed by the original factory. Users are not allowed to install the castor system without permission to avoid accidental injury.

1 With Stand-by Castor System

0 Without Stand-by Castor System

POSITION 9



Electrical Safety Lock

The electrical safety lock adopts the traditional mechanical lock, which is safe and reliable. It is used to completely cut off the power supply of the motor and effectively avoid the operation and accidents of irrelevant personnel.

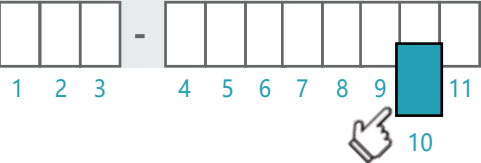


1 With Electrical Safety Lock
According to the European law, the electric lifting bed must be equipped with safety devices to avoid accidental injury caused by the operation of children or non-designated personnel. Each lockset is equipped with two keys.

0 Without

The electrical safety lock must be installed by the original factory. It is forbidden for users to install it without permission. Please cut off the power supply and remove the key when the designated operator leaves.

POSITION 10



Paper Roll Holder

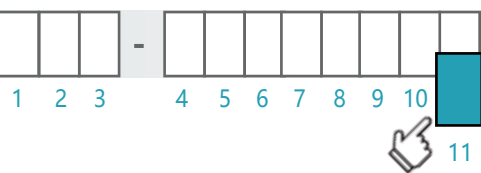


1 With Paper Roller Holder (Part code: PR02)
The Paper Roll Holder can be installed by users or factory. Maximum allowed width of paper roll is 60cm and maximum allowed diameter of paper roll 18cm, which you can purchase anywhere in the market. Hardware pack for installation is included.

Paper Roll Holder is not applied on Treatment Avalon & Danvers.

0 Without

POSITION 11



Sponge System



1 Soft Polyurethane Foam with PVC or PU Vinyl
Soft polyurethane sponge is usually used for massage, spa and as a home care bed. The thickness of the sponge pad is usually 2.5" or 3", which can use any leather Sintang provided. (Refer to Color Range page)

2 Hard Polyurethane Foam with PVC or PU Vinyl
Hard polyurethane sponge is usually used in clinics and professional treatment institutions. Sponge pads are usually 2" or 2.5" thick and can be made of any leather from Sintang. (refer to color range page)



3 Self-Skin Injection Foam
Our self skinning sponge pad is made of 200kg high-density polyether through high-pressure sealed injection molding, and the skin is integrally formed. It is featuring durable, waterproof, fireproof, oil resistance and anti-microbial. Self-skin sponge system is allowed for limited models and sizes. (Refer to Configuration Table)

Self-Skin Injection Foam is only suitable for Treatment Basic, Cabell, Infinity, Scissors, Russell, Avalon, Danvers with width of 27" and 29".

Model Code	CTB/ETB	CTC/ETC	CTI/ETI	CTS
Image				
- Length	198cm			
- Width	22"/56cm, 25"/63cm, 27"/68cm, 29"/73cm			27"/68cm, 29"/73cm
- Product Weight	136lbs/62kg	169lbs/77kg	174lbs/79kg	176lbs/80kg
POSITION CODE 4 Control System				
A - Single Pedal	<input checked="" type="checkbox"/>	<input checked="" type="checkbox"/>	<input checked="" type="checkbox"/>	<input checked="" type="checkbox"/>
B - Double Pedal	<input checked="" type="checkbox"/>	<input checked="" type="checkbox"/>	<input checked="" type="checkbox"/>	<input checked="" type="checkbox"/>
C - Single Pedal + Side Panel Control	<input checked="" type="checkbox"/>	<input checked="" type="checkbox"/>	<input type="checkbox"/>	<input checked="" type="checkbox"/>
D - Single Pedal + 2 Button Hand Control	<input type="checkbox"/>	<input type="checkbox"/>	<input checked="" type="checkbox"/>	<input type="checkbox"/>
E - Single Pedal + 4 Button Hand Control	<input checked="" type="checkbox"/>	<input checked="" type="checkbox"/>	<input type="checkbox"/>	<input checked="" type="checkbox"/>
F - Hand Control	<input type="checkbox"/>	<input type="checkbox"/>	<input type="checkbox"/>	<input type="checkbox"/>
G - Walk-Free Control	<input type="checkbox"/>	<input type="checkbox"/>	<input checked="" type="checkbox"/>	<input type="checkbox"/>
H - Walk-Free Control + Side Panel Control	<input checked="" type="checkbox"/>	<input checked="" type="checkbox"/>	<input type="checkbox"/>	<input checked="" type="checkbox"/>
I - Walk-Free Control + Hand Control	<input type="checkbox"/>	<input type="checkbox"/>	<input type="checkbox"/>	<input type="checkbox"/>
POSITION CODE 5 Breath Hole Design				
A - No Breath Hole	<input type="checkbox"/>	<input type="checkbox"/>	<input type="checkbox"/>	<input type="checkbox"/>
B - One Breath Hole + Filler	<input checked="" type="checkbox"/>	<input checked="" type="checkbox"/>	<input checked="" type="checkbox"/>	<input checked="" type="checkbox"/>
C - One Breath Hole + Neck Pillow	<input type="checkbox"/>	<input type="checkbox"/>	<input type="checkbox"/>	<input type="checkbox"/>
D - Two Breath Hole + Filler	<input checked="" type="checkbox"/>	<input checked="" type="checkbox"/>	<input checked="" type="checkbox"/>	<input checked="" type="checkbox"/>
E - Face Cushion + Filler	<input type="checkbox"/>	<input type="checkbox"/>	<input type="checkbox"/>	<input type="checkbox"/>
F - Two Breath Hole + Neck Pillow	<input checked="" type="checkbox"/>	<input checked="" type="checkbox"/>	<input checked="" type="checkbox"/>	<input checked="" type="checkbox"/>
POSITION CODE 6 Front Armrest				
1 - Height Adjustable Front Arms	<input type="checkbox"/> 27", 29"	<input type="checkbox"/> 27", 29"	<input type="checkbox"/> 27", 29"	<input type="checkbox"/> 27", 29"
2 - Rotatable & Height Adjustable Front Arms	<input type="checkbox"/> 27", 29"	<input type="checkbox"/> 27", 29"	<input checked="" type="checkbox"/>	<input type="checkbox"/> 27", 29"
POSITION CODE 7 Side Armrest & Guardrail				
1 - With Revolving Extended Side Arms	<input type="checkbox"/> 27", 29"	<input type="checkbox"/> 27", 29"	<input type="checkbox"/> 27", 29"	<input type="checkbox"/> 27", 29"
2 - With Revolving Guardrail	<input type="checkbox"/> 27", 29"	<input type="checkbox"/> 27", 29"	<input type="checkbox"/> 27", 29"	<input type="checkbox"/> 27", 29"
3 - With Rotatable Built-in Side Arms	<input type="checkbox"/> 27", 29"	<input type="checkbox"/> 27", 29"	<input type="checkbox"/> 27", 29"	<input type="checkbox"/> 27", 29"
POSITION CODE 8 Stand-by Castor System				
1 - With Stand-by Castor System	<input type="checkbox"/>	<input type="checkbox"/>	<input type="checkbox"/>	<input type="checkbox"/>
POSITION CODE 9 Electrical Safety Lock				
1 - With Electrical Safety Lock	<input checked="" type="checkbox"/>	<input checked="" type="checkbox"/>	<input checked="" type="checkbox"/>	<input checked="" type="checkbox"/>
POSITION CODE 10 Paper Roll Holder				
1 - With Paper Roll Holder	<input type="checkbox"/>	<input type="checkbox"/>	<input type="checkbox"/>	<input type="checkbox"/>
POSITION CODE 11 Sponge System				
1 - With Soft Polyurethane Foam	<input checked="" type="checkbox"/>	<input checked="" type="checkbox"/>	<input checked="" type="checkbox"/>	<input checked="" type="checkbox"/>
2 - With Hard Polyurethane Foam	<input checked="" type="checkbox"/>	<input checked="" type="checkbox"/>	<input checked="" type="checkbox"/>	<input checked="" type="checkbox"/>
3 - With Self-skin Injection Foam	<input type="checkbox"/> 27", 29"	<input type="checkbox"/> 27", 29"	<input type="checkbox"/> 27", 29"	<input type="checkbox"/> 27", 29"

-

✓ Basic Configuration ○ Optional Configuration ✗ Unavailable

CTR/ETR	CTD/ETD	CTA/ETA	CBF	CBT
				
198cm			200cm	
22"/56cm, 25"/63cm, 27"/68cm, 29"/73cm			40"/100cm, 47"/120cm	
147lbs/67kg		167lbs/76kg	176lbs/80kg	185lbs/84kg
✓	✓	✗	✓	✓
✗	✗	✓	✗	✗
✗	✗	○	✗	✗
○	○	✗	○	○
✗	✗	○	✗	✗
○	○	○	○	○
○	○	✗	○	○
✗	✗	○	✗	✗
○	○	○	○	○
○	○	○	○	○
✓	✓	✓	✓	✓
○	○	○	○	○
✗	✗	✗	○	○
✗	✗	✗	✗	✗
✗	✗	✗	○	○
○ 27", 29"	○ 27", 29"	○ 27", 29"	✗	✗
✗	✗	✗	✗	✗
○ 27", 29"	○ 27", 29"	○ 27", 29"	○	○
○ 27", 29"	○ 27", 29"	○ 27", 29"	○	○
✗	✗	✗	✗	✗
○	○	○	○	○
○	○	○	○	○
✓	✓	✓	✓	✓
○	✗	○	○	○
○	○	○	✗	✗
✓	✓	✓	✓	✓
○ 27", 29"	○ 27", 29"	○ 27", 29"	✗	✗

Camino Treatment Basic



CTB-AB000102



CTB-AE001102



CTB-GB130112



CTB-AB201112



CTB-FE221112



CTB-FB021102



CTB-GB231112



CTB-GE011112

Camino Treatment Cabell



CTC-AB000103



CTC-GE010113



CTC-AA020113



CTC-FB021103



CTC-AE200113



CTC-GB011113



CTC-GB111113



CTC-GE131103

Camino Treatment Infinity



CTI-BB000113



CTI-BE000103



CTI-CB110113



CTI-EE010113



CTI-FB121103



CTI-HE121103



CTI-IB011103

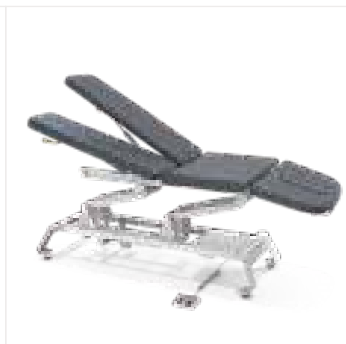


CTI-CE131113

Camino Treatment Scissors



CTS-AA000103



CTS-AB000103



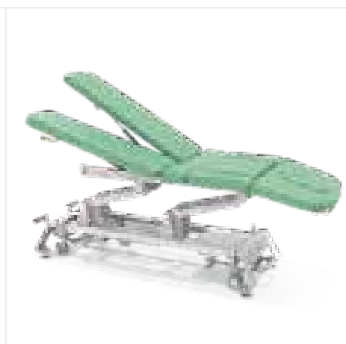
CTS-FE010103



CTS-FB111103



CTS-GE230103



CTS-GB031103



CTS-GE021103



CTS-GB021103

Camino Treatment Russell



CTR-AB000102



CTR-FA010112



CTR-GB010102



CTR-GB121112



CTR-GB021112



CTR-FB111102



CTR-AB121112



CTR-FB110112

Camino Treatment Danvers



CTD-AB000103



CTD-GB000103



CTD-GA010103



CTD-GB101103



CTD-GB121103



CTD-GA021103



CTD-FB111103



CTD-AB101103

Camino Treatment Avalon



CTA-BB000103

CTA-EB110103

CTA-CA000103

CTA-FB021103



CTA-HA021103

CTA-FB111103

CTA-HB011103

CTA-BB020103

Camino Bobath Flat & Bobath Tilt



CBF-AA000112

CBF-FB000112

CBF-GD021112

CBF-GF001112



CBT-GA001102

CBT-GB021112

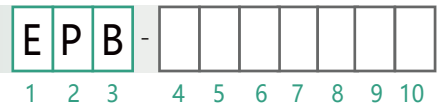
CBT-GF021112

CBT-FD01112

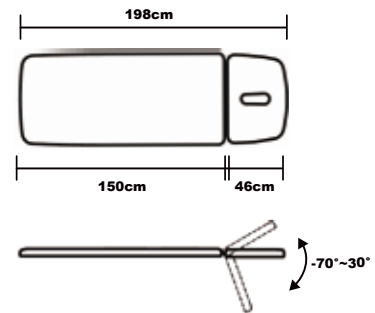
Premier Physical Treatment Tables



Premier Basic



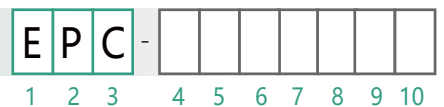
In terms of design and function, Premier Basic medical bed is mainly used for medical examination and treatment. It has a two-section table top, and the pneumatic controlled head section can rotate up and down in a range of $30^{\circ} \sim 70^{\circ}$. Its extremely low minimum-height and quiet electric lifting features increase its practicability for treatment environment, which is very suitable for use in clinics, gyms and hospitals.



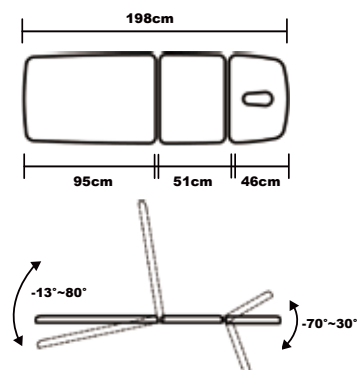
Specification:

- Length: 78"/198cm
- Width: 22"/56cm, 25"/64cm, 27"/69cm, 29"/74cm
- Height: 20"/51cm~37"/95cm
- Foam: 2.5"/6.4cm
- Working Weight: 600lbs/272kg
- Product Weight: 215lbs/98kg

Premier Cabell



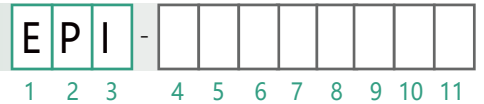
The sturdy Premier Cabell treatment table supports multiple posture adjustments. A double-sided synchronous pneumatic control of the tail-adjustment mechanism makes it more sturdy, and achieves quiet and fast adjustment. The negative-angle tail adjustment function is very suitable for keeping the patient in a comfortable posture during spinal or back treatment. Cabell can choose to install the head piece with breath hole or round face pillow cut out, height adjustable front armrests, side armrests and guardrails, which improves ergonomics and work efficiency.



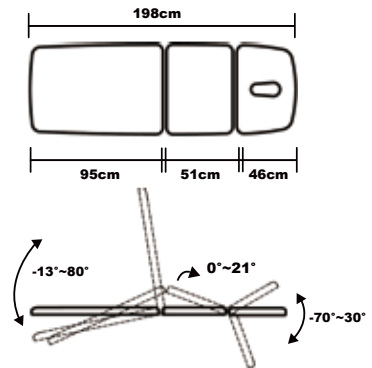
Specification:

- Length: 78"/198cm
- Width: 22"/56cm, 25"/64cm, 27"/69cm, 29"/74cm
- Height: 18"/46cm~37"/95cm (Dewert)
- Foam: 2.5"/6.4cm
- Working Weight: 600lbs/272kg
- Product Weight: 215lbs/98kg

Premier Infinity



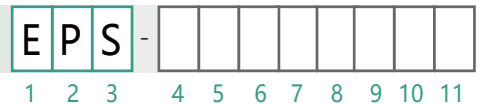
The Premier Infinity multi-functional diagnosis and treatment bed offers more posture adjustments. In addition to the 30° ~ 70° pneumatic head section adjustment and the -13°~80° tail section angle adjustment, it also has a 21° middle section adjustment. It provides both users and doctors with a comfortable posture regardless of whether the user is in a sitting position, supine position, or prone position.



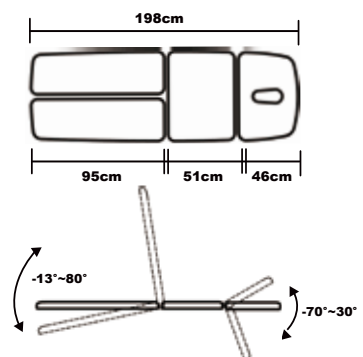
Specification:

- Length: 78"/198cm
- Width: 22"/56cm, 25"/64cm, 27"/69cm, 29"/74cm
- Height: 18"/46cm~37"/95cm (Dewert)
- Foam: 2.5"/6.4cm
- Working Weight: 600lbs/272kg
- Product Weight: 218lbs/99kg

Premier Scissors



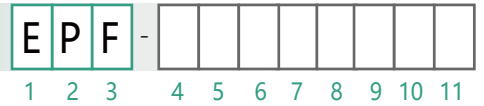
Premier Scissors can provide better body position for leg examination and treatment. Two Tail section can provide independent pneumatic controlled angle adjustment of - 13° ~ 80°. The bed can be equipped with extended side armrests and safety guardrails. When the bed is leveled, it can also be used for regular physical diagnosis and treatment.



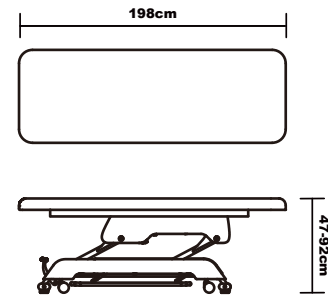
Specification:

- Length: 78"/198cm
- Width: 27"/69cm, 29"/74cm
- Height: 18"/46cm~37"/95cm (Dewert)
- Foam: 2.5"/6.4cm
- Working Weight: 600lbs/272kg
- Product Weight: 218lbs/99kg

Premier Flat



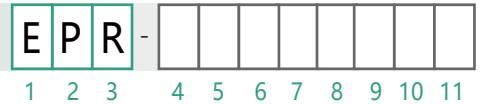
The Premier Flat electro-mechanical drive offers unlimited height adjustments for easy patient access without a footstep. It enhances efficiency, reducing back strain and fatigue. Features include a 2.5" high-density urethane foam top and hands-free foot control operation for seamless use.



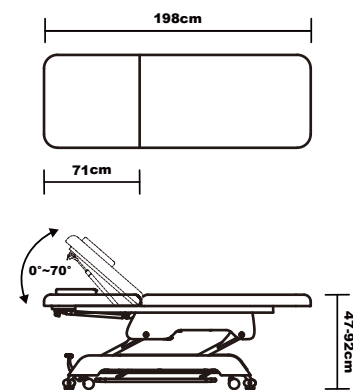
Specification:

- Length: 78"/198cm
- Width: 22"/56cm, 25"/64cm, 27"/69cm, 29"/74cm
- Height: 18.5"/47cm~36"/92cm
- Foam: 2.5"/6.4cm
- Working Weight: 600lbs/272kg
- Product Weight: 193lbs/88kg

Premier Russel



The table features a pneumatic backrest adjustable up to 80 degrees, electric height adjustment with foot control, and a durable uni-frame design. It includes a heavy-duty lift mechanism, seamless upholstered top, ultra-firm padding, and meets UL 60601-1 safety standards. Customizable options available.



Specification:

- Length: 78"/198cm
- Width: 22"/56cm, 25"/64cm, 27"/69cm, 29"/74cm
- Height: 18.5"/48cm~36"/92cm
- Foam: 2.5"/6.4cm
- Working Weight: 600lbs/272kg
- Product Weight: 193lbs/88kg

Meaning of Product Code

Universal Codes

POSITION CODE 1~3

Table Model

Model:

E	P	C	-	G	C	1	1	1	1	0
---	---	---	---	---	---	---	---	---	---	---

Code Position:

1	2	3	-	4	5	6	7	8	9	10
---	---	---	---	---	---	---	---	---	---	----

Universal Codes

Option Code

Option Code

POSITION CODE 4

Control System

- A - Single Pedal
- B - Double Pedal
- C - Single Pedal+ Side Control
- D - Single Pedal+ 2 Button Hand Control
- E - Single Pedal+ 4 Button Hand Control
- F - Hand Control
- G - Walk-Free Control
- H - Walk-Free Control + Side Control
- I - Walk-Free Control + Hand Control

POSITION CODE 5

Head Section Design

- A - Flat Head Section Design
- B - Breath Hole Design
- C - Face Cushion Design

POSITION CODE 6

Front Armrest

- 1 - With Front Armrest
- 0 - Without Front Armrest

POSITION CODE 7

Side Armrest

- 1 - With Revolving Side Armrest
- 2 - With Revolving Guardrail
- 0 - Without Anything

POSITION CODE 8

Stand-by Castor System

- 1 - With Stand-by Castor System
- 0 - Without Stand-by Castor System

POSITION CODE 9

Touch Stop Safety System

- 1 - With Touch Stop System
- 0 - Without Touch Stop System

POSITION CODE 10

Paper Roll Holder

- 1 - With Paper Roll Holder
- 0 - Without Paper Roll Holder

Premier's product code consists of three universal codes, seven option codes. The seven option codes for Premier table depend on the configuration of various options available. Each position in the code has a specific meaning, and corresponds to one or more characteristics of the table. Our standard model of Premier itself does not contain breath hole, face cushion design, Walk-free Control, Front Armrests, Side Armrests, Guardrails, Stand-by Castor System, Paper Roll Holder, Touch Stop Safety System, All optional parts need to be purchased separately.



Revolving Guardrail

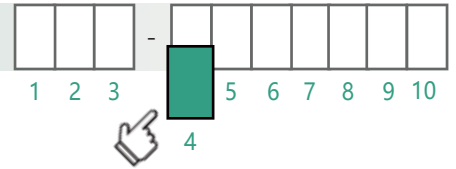


Face Cushion Cut Out & Filler



Touch Stop Safety System

POSITION 4



Control System

We provide a variety of motor control options, all controllers must be installed in advance by original factory. Please indicate in advance when ordering.



A Single Pedal

Standard part of Premier Basic, Premier Cabell and Premier Scissors models. It is used to raise or lower the height of the table.



B Double Pedal

Standard part of Premier Infinity, it's responsible to raise/lower the height of the table and controlling the middle section's lifting angle.



C Single Pedal + Side Control

Foot Pedal is for adjusting the height of the table, Side Control is for raising or lowering the middle section of Premier Infinity.



D Single Pedal+2 Button Hand Control

It is only applicable to Premier Basic, Cabell and Scissors models. Foot Pedal and Hand Control are used to adjust the height of the bed. Not available for Premier Infinity.



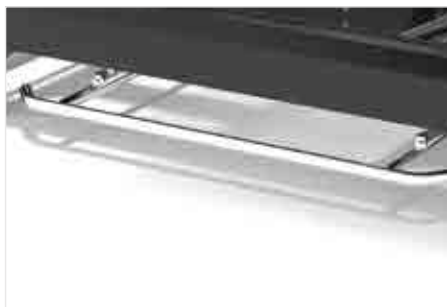
E Single Pedal+4 Button Hand Control

For Premier Infinity, Foot Pedal is for adjusting the height of the table, hand control is for adjusting the height of the table as well as the mid-lift of the table.



F Hand Control

2 Button Hand Control is for adjusting the height of the table. 4 Button Hand Control is for raising/lowering the height of the table and controlling the mid-lift of the table.



G Walk-Free Control

Walk-Free Control makes height adjustment easily from all the way around the bed.



H Walk-Free Control + Side Control

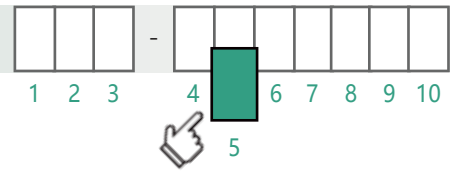
Walk-Free Control is for adjusting the height of the table. Side Control is for raising or lowering the middle section.



I Walk-Free Control+ Hand Control

Walk-Free Control is for adjusting the table's height. 4 Button Hand Control is for raising/lowering the height of the table and the middle section of the table.

POSITION 5



Head Section

The breath hole and face cushion cut-out design were set in advance by original factory. Please indicate in advance when ordering.



A Flat Head Section Design

The head section can be adjusted by pneumatic control to achieve a rapid angle adjustment in the range of -70° ~ -30° , and can be locked at any position.



B Breath Hole Design

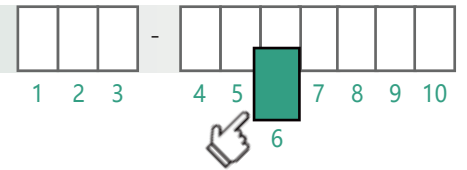
Breath hole design is friendly to massage or back treatment which patient needs to be face down position. Plug filler is included.



C Face Cushion Design

Face cushion design meets both the purpose of breath-hole and the comfort of users. It equipped with sponge hole plug of the same size which can be used when the user lies on his back

POSITION 6



Front Armrest

The liftable front armrests can adjust the height in the range of 0-20cm through pneumatic pump control, and can be locked at any position. It is used to support the arms of the patient when patient is in prone position,



1 With Front Armrest

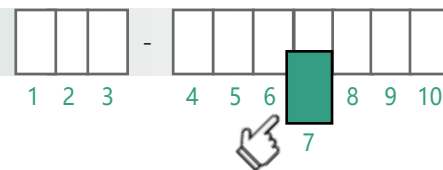


0 Without Front Armrest

Tips: Tips: Front Armrest is only suitable for Premier bed with width of 27" or more.

 NEVER SIT ON THE HEADPIECE AND THE ARMREST.

POSITION 7



Side Armrest

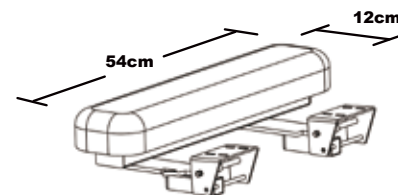
Both Side Armrests and Guardrails are easy to be installed, when the table is purchased, a preference regarding the choice of a Armrests and a Guardrails must be stated. However, it is also possible, in that moment or even later, to order armrests and Guardrails for installation yourself.

⚠ NEVER SIT ON THE SIDE ARMREST OR GUARDRAIL.



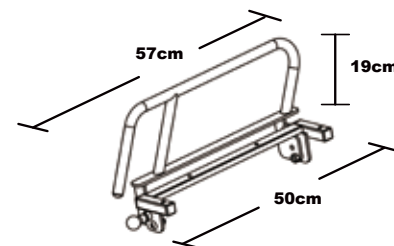
1 With Side Armrest (For Each Table) (Part code: SA01)

When side armrest is rotated to horizontal position, it will provide patient larger support width and effectively improve the comfort and security of users. When you need to get closer to patient for treatment, you can flip armrest down. Side Armrest can be factory installed or purchased separately.



2 With Revolving Guardrail (For Each Table) (Part code: RG03)

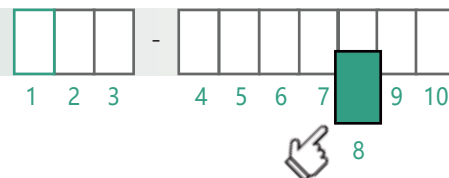
Guardrail system will prevent patient from falling or rolling out of the bed, help patient reposition, sit-up, balance, stand or transfer to a table. It can be installed in factory or by customer. The swing down feature allows this guardrail to pivot down and out of the way when getting in and out of bed or removing sheets.



0 Without Anything

Tips: Side Armrest and Revolving Guardrail designs are only suitable for EPB, EPC and EPS.

POSITION 8



Stand-by Castor System

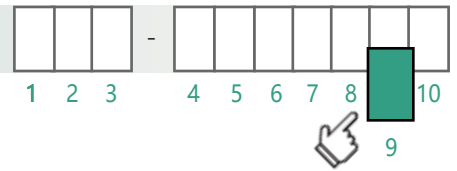


The liftable Stand-by Castor System adopts the medical casters and the connecting rod operating system. The four casters can be released and retracted synchronously by foot pedal control. The bed can be moved easily when wheels are released, and the stability of the bed will be increased when the casters are folded up. Castor system must be installed by the original factory. Users are not allowed to install the castor system without permission to avoid accidental injury.

1 With Stand-by Castor System

0 Without Stand-by Castor System

POSITION 9




Touch Stop Safety System

Touch Stop Safety System is a sensitive inductive switch, which is installed on the top of the left and right lower frame of the bed and covers the whole length of the lower frame. When it senses a touch pressure, it will immediately send a power-off command to control box to stop the table height adjustment. It can effectively reduce the risk of pets, children, human bodies and other objects being pinched during height adjustment.

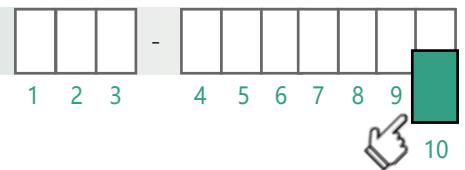


- 1 With Touch Stop Safety System**
The exclusive Touch-Stop Safety System will stop all table movements when kids, pets or any objects touch the lower frame of the table.

- 0 Without Touch Stop Safety System**

 Touch Stop Safety System must be installed by the original factory. Users are not allowed to install the caster system without permission to avoid accidental injury.

POSITION 10



Paper Roll Holder



- 1 With Paper Roller Holder**
The Paper Roll Holder can be installed by users or factory. Maximum allowed width of paper roll is 60cm and maximum allowed diameter of paper roll 15cm, which you can purchase anywhere in the market. Hardware pack for installation is included.

(Part code: PR01)

- 0 Without Paper Roller Holder**


Tips: Paper Roll Holder can be only installed on Premier bed with width of 25", 27" and 29".

Paper Roll Holder is only applicable to Premier Basic, Cabell and Scissors models.

Determine Product Code

E	P		-							
1	2	3		4	5	6	7	8	9	10

Basic Configuration
 Optional Configuration
 Unavailable

Model Code	EPB	EPC	EPI	EPS
Image				
- Length	78"/198cm			
- Width	22"/56cm, 25"/63cm, 27"/68cm, 29"/73cm			27"/68cm, 29"/73cm
- Height	18"/46cm~37"/95cm			
- Head Section Angle Adjusting	-70°~30°			
- Middle Section Angle Adjusting	<input checked="" type="checkbox"/>	<input checked="" type="checkbox"/>	0°~21°	<input checked="" type="checkbox"/>
- Tail Section Angle Adjusting	<input checked="" type="checkbox"/>	-13°~80°		
- Product Weight	200lbs/92kg	215lbs/98kg	219lbs/99kg	219lbs/99kg
- Working Weight	600lbs/272kg			
POSITION CODE 4 Control System				
A - Single Pedal	<input checked="" type="checkbox"/>	<input checked="" type="checkbox"/>	<input type="checkbox"/>	<input checked="" type="checkbox"/>
B - Double Pedal	<input checked="" type="checkbox"/>	<input checked="" type="checkbox"/>	<input checked="" type="checkbox"/>	<input checked="" type="checkbox"/>
C - Single Pedal+ Side Panel Control	<input checked="" type="checkbox"/>	<input checked="" type="checkbox"/>	<input type="checkbox"/>	<input checked="" type="checkbox"/>
D - Single Pedal+ 2 Button Hand Control	<input type="checkbox"/>	<input type="checkbox"/>	<input checked="" type="checkbox"/>	<input type="checkbox"/>
E - Single Pedal+ 4 Button Hand Control	<input checked="" type="checkbox"/>	<input checked="" type="checkbox"/>	<input type="checkbox"/>	<input checked="" type="checkbox"/>
F - Hand Control	<input type="checkbox"/>	<input type="checkbox"/>	<input type="checkbox"/>	<input type="checkbox"/>
G - Walk-Free Control	<input type="checkbox"/>	<input type="checkbox"/>	<input checked="" type="checkbox"/>	<input type="checkbox"/>
H - Walk-Free Control + Side Panel Control	<input checked="" type="checkbox"/>	<input checked="" type="checkbox"/>	<input type="checkbox"/>	<input checked="" type="checkbox"/>
I - Walk-Free Control + Hand Control	<input checked="" type="checkbox"/>	<input checked="" type="checkbox"/>	<input type="checkbox"/>	<input checked="" type="checkbox"/>
POSITION CODE 5 Headrest Design				
A - Flat Design	<input checked="" type="checkbox"/>	<input checked="" type="checkbox"/>	<input checked="" type="checkbox"/>	<input checked="" type="checkbox"/>
B - Breath Hole Design	<input type="checkbox"/>	<input type="checkbox"/>	<input type="checkbox"/>	<input type="checkbox"/>
C - Face Cushion Design	<input type="checkbox"/>	<input type="checkbox"/>	<input type="checkbox"/>	<input type="checkbox"/>
POSITION CODE 6 Front Armrest				
1 - With Front Armrest	<input type="checkbox"/>	<input type="checkbox"/>	<input type="checkbox"/>	<input type="checkbox"/>
POSITION CODE 7 Side Armrest & Guardrail				
1 - With Revolving Armrest	<input type="checkbox"/>	<input type="checkbox"/>	<input type="checkbox"/>	<input type="checkbox"/>
2 - With Revolving Guardrail	<input type="checkbox"/>	<input type="checkbox"/>	<input type="checkbox"/>	<input type="checkbox"/>
POSITION CODE 8 Stand-by Castor System				
1 - With Stand-by Castor System	<input type="checkbox"/>	<input type="checkbox"/>	<input type="checkbox"/>	<input type="checkbox"/>
POSITION CODE 9 Touch Stop Safety System				
1 - With Touch Stop System	<input type="checkbox"/>	<input type="checkbox"/>	<input type="checkbox"/>	<input type="checkbox"/>
POSITION CODE 10 Paper Roll Holder				
1 - With Paper Roll Holder	<input type="checkbox"/>	<input type="checkbox"/>	<input type="checkbox"/>	<input type="checkbox"/>

Option Varieties

Premier Basic



EPB-GB10001



EPB-AB00101



EPB-AB11100



EPB-GB02000



EPB-GA01100



EPB-AA00101



EPB-AA02000



EPB-AC12100

Premier Cabel



EPC-AB00001



EPC-GB11001



EPC-AB12100



EPC-GC02000



EPC-AB10100



EPC-GA02101



EPC-GA01100



EPC-AA00000

Option Varieties

Premier Infinity



EPI-IA00101



EPI-IB10101



EPI-IB00101



EPI-BC10101



EPI-FA00101



EPI-BB00001



EPI-IC10100



EPI-IC00100

Premier Scissors



EPS-AB00100



EPS-AA00000



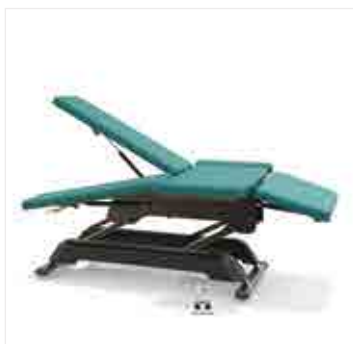
EPS-FC10100



EPS-GC10000



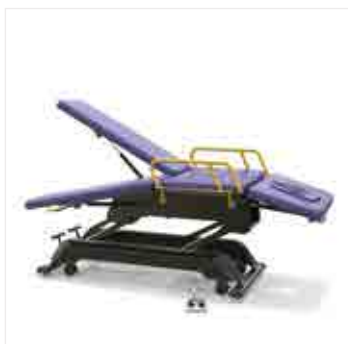
EPS-GB11000



EPS-AA01000



EPS-GC12100



EPS-AC02100

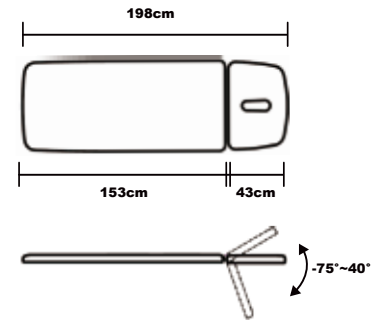
Milton Physical Treatment Tables



Milton Basic

M	T	B	-								
1	2	3		4	5	6	7	8	9	10	11

In terms of design and function, Milton Basic medical bed is mainly used for medical examination and treatment. It has a two-section table top, and the pneumatic controlled head section can rotate up and down in a range of -75° ~ 40° . Its extremely low minimum-height and quiet electric lifting features increase its practicability for treatment environment, which is very suitable for use in clinics, gyms and hospitals.



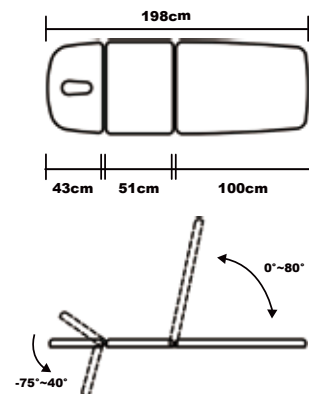
Specification:

- Length: 78"/198cm
- Width: 27"/69cm, 29"/74cm
- Height: 21"/53cm~37"/95cm
- Net Weight: 209lbs/95kg~236lbs/107kg
- Height Adjustable: 21"/53cm~37"/95cm
- Max Bearing Capacity: 441lbs/ 200kg
- Foam Thickness: 2.5"/6.35cm

Milton Cabell

M	T	C	-								
1	2	3		4	5	6	7	8	9	10	11

The Milton Cabell Treatment Tables from Sintang has been the favorite of masseurs and physiotherapists, chiropractors and other therapists for a long time. Split table top with foot switch operated electrical height adjustment. Head section features step-less, gas spring assisted adjustment. Arm rests with easy height adjustment. Gas spring controlled head section adjustment to -75° ~ 40° angle.



Specification:

- Length: 78"/198cm
- Width: 27"/69cm, 29"/74cm
- Height: 21"/53cm~37"/95cm
- Net Weight: 209lbs/95kg~236lbs/107kg
- Height Adjustable: 21"/53cm~37"/95cm
- Max Bearing Capacity: 441lbs/ 200kg
- Foam Thickness: 2.5"/6.35cm

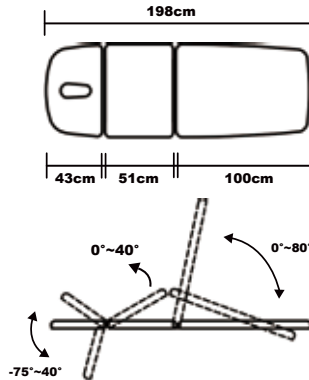
Milton Infinity

M	T	I	-								
1	2	3		4	5	6	7	8	9	10	11

The Milton Infinity multi-functional diagnosis and treatment bed offers more posture adjustments. In addition to the -75° to 40° pneumatic head section adjustment and the 0° ~ 80° tail section angle adjustment, it also has a 40° middle section adjustment. It provides both users and doctors with a comfortable posture regardless of whether the user is in a sitting position, supine position, or prone position.



Video



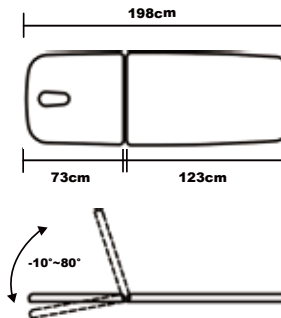
Specification:

- Length: 78"/198cm
- Width: 27"/69cm, 29"/74cm
- Height: 21"/53cm~37"/95cm
- Net Weight: 209lbs/95kg~236lbs/107kg
- Height Adjustable: 21"/53cm~37"/95cm
- Max Bearing Capacity: 441lbs/200kg
- Foam Thickness: 2.5"/6.35cm

Milton Russell

M	T	R	-								
1	2	3		4	5	6	7	8	9	10	11

The Milton Russell is a multi-functional diagnosis and treatment bed with high popularity. 50% of the users are from massage and beauty market, and 50% of the users are from medical filed. Massage and beauty users tend to use a 3" thick and soft sponge system, while medical users tend to use a 2-2.5" thick hard sponge system. The -10° ~ 80° tilting backrest angle can meet the needs of supine and prone users.



Specification:

- Length: 78"/198cm
- Width: 27"/69cm, 29"/74cm
- Height: 21"/53cm~37"/95cm
- Net Weight: 209lbs/95kg~236lbs/107kg
- Height Adjustable: 21"/53cm~37"/95cm
- Max Bearing Capacity: 441lbs/ 200kg
- Foam Thickness: 2.5"/6.35cm

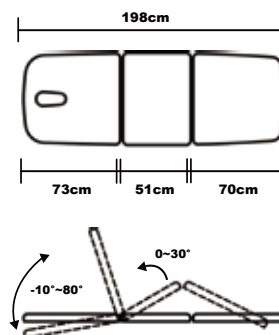
Milton Avalon

E	M	A	-								
1	2	3		4	5	6	7	8	9	10	11

The Milton Avalon electric treatment table with 3 sections and 2 electric motors allows for many configurations. The central fold, adjustable by electric motor, provides great versatility and many possibilities. This is a very strong and rigid bed designed for various manipulation and mobilization procedures and techniques. This model features a pneumatically adjusted backrest and an electrically adjusted middle section, providing additional comfort for patients.



Video



Specification:

- Length: 78"/198cm
- Width: 27"/69cm, 29"/74cm
- Height: 21"/53cm~37"/95cm
- Net Weight: 209lbs/95kg~236lbs/107kg
- Height Adjustable: 21"/53cm~37"/95cm
- Max Bearing Capacity: 441lbs/ 200kg
- Foam Thickness: 2.5"/6.35cm

Meaning of Product Code

POSITION CODE 4

Control System

- A - Single Pedal
- B - Double Pedal
- C - Single Pedal+ Side Control
- D - Single Pedal+ 2 Button Hand Control
- E - Single Pedal+ 4 Button Hand Control
- F - Hand Control
- G - Walk-Free Control
- H - Walk-Free Control + Side Control
- I - Walk-Free Control + Hand Control

POSITION CODE 5

Breath Hole Design

- A - No Breath Hole
- B - One Breath Hole + Filler
- C - One Breath Hole + Neck Pillow
- D - Face Cushion Cut Out Design

POSITION CODE 6

Front Arms

- 1 - With Height Adjustable Front Arms
- 2 - Rotatable and Adjustable Front Arms
- 0 - Without Front Arms

POSITION CODE 7

Side Armrest

- 1 - With Revolving Side Armrest
- 0 - Without Anything

POSITION CODE 8

Stand-by Castor System

- 1 - With Stand-by Castor System
- 0 - Without Stand-by Castor System

POSITION CODE 9

Electrical Safety Lock

- 1 - With Electrical Safety Lock
- 0 - Without Electrical Safety Lock

POSITION CODE 10

Paper Roll Holder

- 1 - With Paper Roll Holder
- 0 - Without Paper Roll Holder

POSITION CODE 11

Sponge System

- 1 - Soft Polyurethane Foam
- 2 - Hard Polyurethane Foam
- 3 - Self-Skin Injection Foam

Model: M T I - G B 1 1 1 1 3 3

Code Position: 1 2 3 - 4 5 6 7 8 9 10 11

Universal Codes

Option Code

Milton's product code consists of three model codes, eight option codes.

The eight option codes for Milton table depend on the configuration of various options available. Each position in the code has a specific meaning, and corresponds to one or more characteristics of the table.

Our standard model of Milton itself does not contain Walk-free Control, Front Armrests, Side Armrests, Guardrails, Stand-by Castor System, Paper Roll Holder, Electrical Safety Lock, all optional parts need to be purchased separately. All standard models adopt polyurethane sponge mattress, and self-skin sponge system is allowed for limited models and sizes.



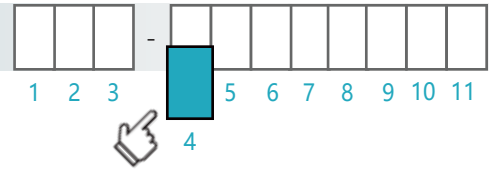
Side Armrest



Face Cushion Cut Out & Filler



Electrical Safety Lock



Control System

We provide a variety of motor control options, all controllers must be installed in advance by original factory. Please indicate in advance when ordering.



A Single Pedal

Standard controller of MTB, MTC, MTR, MTA. It is used to raise or lower the height of the table.



B Double Pedal

Standard controller of MTI & MTA. It's responsible to raise/lower the height of the table and control the middle section's lifting angle.



C Single Pedal + Side Control

Foot Pedal is for adjusting the height of the table, Side Control is for raising or lowering the middle section of MTI & MTA.



D Single Pedal+2 Button Hand Control

It is applicable to MTB, MTC, MTR models. Foot Pedal and Hand Control are used to adjust the height of the bed. Not available for MTI & MTA.



E Single Pedal+4 Button Hand Control

For MTI & MTA, Foot Pedal is for adjusting the height of the table, hand control is for adjusting the height of the table as well as the mid-lift of the table.



F Hand Control

2 Button Hand Control is for adjusting the height of the table. 4 Button Hand Control is for raising/lowering the height of the table and controlling the mid-lift of the table. It is applicable for all models.



G Walk-Free Control

Walk-Free Control makes height adjustment easily from all the way around the bed. It is applicable to MTB, MTC, MTR models.



H Walk-Free Control + Side Control

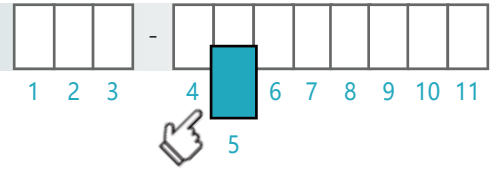
Walk-Free Control makes height adjustment easily from all the way around the bed. It is applicable to MTB, MTC, MTR models.



I Walk-Free Control+ Hand Control

Walk-Free Control is for adjusting the table's height. 4 Button Hand Control is for raising/lowering the height of the table and the middle section of the table. It is applicable for all models.

POSITION 5



Breath Hole Design

The breath hole and face cushion cut-out design were set in advance by original factory. Please indicate in advance when ordering.



A No Breath-hole



B 1 Breath Hole + Filler

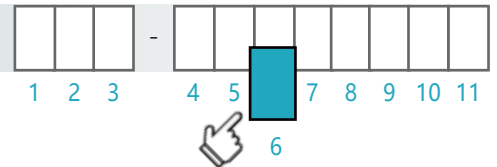


C 1 Breath Hole + Neck Pillow
It is applicable to all treatment beds without front arms, or treatment beds with front arms but 29" wide.



D Face Cushion Cut-out + Face Cushion + Filler
⚠ Suitable for Basic, Cabell, Infinity

POSITION 6



Front Armrests

The height adjustable front armrests can adjust the height in the range of 0-20 cm through pneumatic pump control, and can be locked at any position. It is used to support the arms of the patient when patient is in prone position. The rotatable & height adjustable front arms are fully adjustable in height and position since the arm frame can rotate and the arm cushion can rotate by itself.



1 With Height Adjustable Front Arms



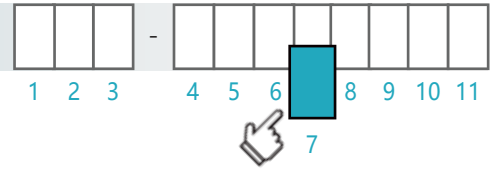
2 With Rotatable & Height Adjustable Front Arms



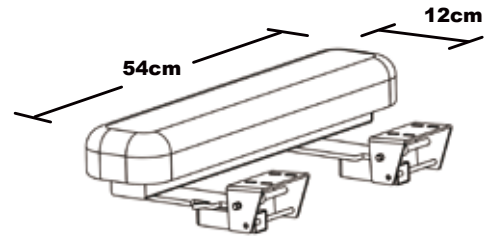
0 Without Front Arms

Tips: Front Armrest is only suitable for Milton Treatment Beds with width of 27" or more.
Rotatable & Height Adjustable Front Arms are only applied on Basic and Cabell.
For Treatment Basic, Cabell tables, Rotatable & Height Adjustable Front Arms cannot be installed on a table using Revolving Revolving Guardrail or Built-in Rotating Side Armrest.

POSITION 7



Side Armrest

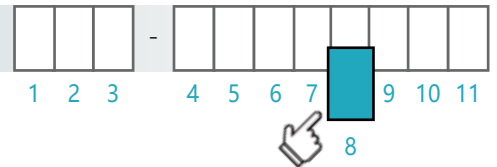


1 With Revolving Extended Side Armrest (Part code: SA02)

When extended side armrests are rotated to horizontal position, it will provide patient larger support width and effectively improve the comfort and security of users. When you need to get closer to patient for treatment, you can flip armrest down. Side Armrest can be factory installed or purchased separately.

0 Without Anything

POSITION 8



Stand-by Castor System

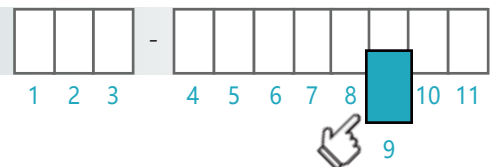


The liftable Stand-by Castor System adopts the medical castors and the connecting rod operating system. The four castors can be released and retracted synchronously by foot pedal control. The bed can be moved easily when wheels are released, and the stability of the bed will be increased when the castors are folded up. Castor system must be installed by the original factory. Users are not allowed to install the castor system without permission to avoid accidental injury.

1 With Stand-by Castor System

0 Without Stand-by Castor System

POSITION 9



Safety Lock System

The safety lock adopts the traditional mechanical lock, which is safe and reliable. It is used to completely cut off the power supply of the motor and effectively avoid the operation and accidents of irrelevant personnel.



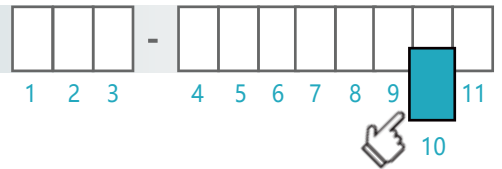
1 With Electrical Safety Lock

According to the European law, the electric lifting bed must be equipped with safety devices to avoid accidental injury caused by the operation of children or non-designated personnel. Each lockset is equipped with two keys.

0 Without

 The electrical safety lock must be installed by the original factory. It is forbidden for users to install it without permission. Please cut off the power supply and remove the key when the designated operator leaves.

POSITION 10



Paper Roll Holder



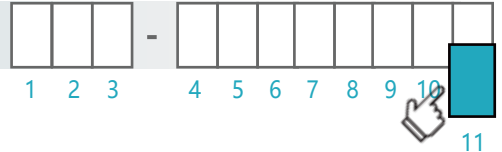
1 With Paper Roller Holder (Part code: PR02)

The Paper Roll Holder can be installed by users or factory. Maximum allowed width of paper roll is 60cm and maximum allowed diameter of paper roll 18cm, which you can purchase anywhere in the market. Hardware pack for installation is included.

 Paper Roll Holder is not applied on Treatment Avalon & Danvers.

0 Without

POSITION 11



Sponge System



1 Soft Polyurethane Foam with PVC Vinyl

Soft polyurethane sponge is usually used for massage, spa and as a home care bed. The thickness of the sponge pad is usually 2.5" or 3", which can use any leather Sintang provided. (Refer to Color Range page)


2 Hard Polyurethane Foam with PVC Vinyl

Hard polyurethane sponge is usually used in clinics and professional treatment institutions. Sponge pads are usually 2" or 2.5" thick and can be made of any leather from Sintang. (refer to color range page)



3 Self-Skin Injection Foam

Our self skinning sponge pad is made of 200kg high-density polyether through high-pressure sealed injection molding, and the skin is integrally formed. It is featuring durable, waterproof, fireproof, oil resistance and anti-microbial. Self-skin sponge system is allowed for limited models and sizes. (Refer to Configuration Table)

 Self-Skin Injection Foam is only suitable for Treatment Basic, Cabell, Infinity, Scissors, Russell, Avalon, Danvers with width of 27" and 29".

Milton Treatment Varieties

Milton Treatment Basic



MTB-AB101112



MTB-GB001102



MTB-AD101112



MTB-GB011112



MTB-GB111112



MTB-GB021112

Milton Treatment Varieties

Milton Treatment Avalon



MTA-GB000102



MTA-FB0001112



MTA-DB0001112

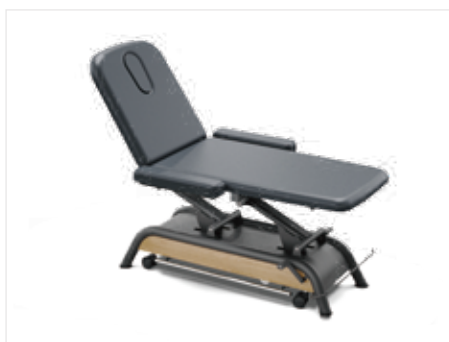


MTA-HB111112



MTA-GB021112

Milton Treatment Russel



MTR-GB011112



MTR-GB100102



MTR-GB101112



MTR-GB121112



MTR-GB021112



MTR-GB0001112

Milton Treatment Varieties

Milton Treatment Infinity



MTI-BB000102



MTI-BD000112



MTI-GB011112



MTI-HD111112



MTI-FD121112



MTI-FD021112

Milton Treatment Cabell



MTC-AB000102



MTC-GD011112



MTC-GD101112



MTC-GB021112








MTC-GB111112



MTC-AD0001102

Customize Your Own Table

Model Code	MTB	MTC	MTI	MTR	MTA
Image					
- Length	198cm				
- Width	22"/56cm, 25"/63cm, 27"/68cm, 29"/73cm			27"/68cm, 29"/73cm	
POSITION CODE 4 Control System					
A - Single Pedal	✓	✓	✗	✓	✗
B - Double Pedal	✗	✗	✓	✗	✓
C - Single Pedal + Side Panel Control	✗	✗	○	✗	○
D - Single Pedal + 2 Button Hand Control	○	○	✗	○	✗
E - Single Pedal + 4 Button Hand Control	✗	✗	○	✗	○
F - Hand Control	○	○	○	○	○
G - Walk-Free Control	○	○	✗	○	✗
H - Walk-Free Control + Side Panel Control	✗	✗	○	✗	○
I - Walk-Free Control + Hand Control	○	○	○	○	○
POSITION CODE 5 Breath Hole Design					
A - No Breath Hole	○	○	○	○	○
B - One Breath Hole + Filler	✓	✓	✓	✓	✓
C - One Breath Hole + Neck Pillow	○	○	○	○	○
D - Two Breath Hole + Filler	✗	✗	✗	✗	✗
E - Face Cushion + Filler	○	○	○	✗	✗
F - Two Breath Hole + Neck Pillow	✗	✗	✗	✗	✗
POSITION CODE 6 Front Armrest					
1 - Height Adjustable Front Arms	○ 69cm, 74cm	○ 69cm, 74cm	○ 69cm, 74cm	○ 69cm, 74cm	○ 69cm, 74cm
2 - Rotatable & Height Adjustable Front Arms	○ 69cm, 74cm	○ 69cm, 74cm	✗	✗	✗
POSITION CODE 7 Side Armrest & Guardrail					
1 - With Revolving Extended Side Arms	○ 69cm, 74cm	○ 69cm, 74cm	○ 69cm, 74cm	○ 69cm, 74cm	○ 69cm, 74cm
2 - With Revolving Guardrail	✗	✗	✗	✗	✗
3 - With Rotatable Built-in Side Arms	✗	✗	✗	✗	✗
POSITION CODE 8 Stand-by Castor System					
1 - With Stand-by Castor System	○	○	○	○	○
POSITION CODE 9 Electrical Safety Lock					
1 - With Electrical Safety Lock	✓	✓	✓	✓	✓
POSITION CODE 10 Paper Roll Holder					
1 - With Paper Roll Holder	○	○	○	○	○
POSITION CODE 11 Sponge System					
1 - With Soft Polyurethane Foam	✗	✗	✗	○	○
2 - With Hard Polyurethane Foam	✓	✓	✓	✓	✓
3 - With Self-skin Injection Foam	○ 69cm, 74cm	○ 69cm, 74cm	○ 69cm, 74cm	○ 69cm, 74cm	○ 69cm, 74cm

Royal Series Treatment Table



Royal Series

Royal-Basic

Model:RTB

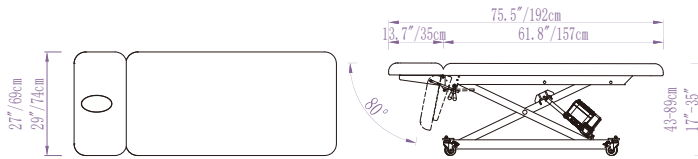


Specifications:

• Lifting Capacity:	450lbs/205kg
• Working Capacity:	595lbs/270kg
• Length:	75.5"/192cm
• Width:	27"/69cm, 29"/74cm Optional
• Height:	17"/43cm~35"/89cm
• Net Weight:	154lbs/70kg~165lbs/75kg
• Gross Weight:	174lbs/79kg~182lbs/83kg
• Package Size:	175cm x 73/78cm x 51cm

Features:

- 3 Year Guarantee
- Heavy Metal Frame
- Electric Height Adjustment
- Manual Adjustable Legrest
- Durable Antibacterial PVC
- 4 Lockable Medical Transport Wheels



Royal-Cabell (With Front Arms)

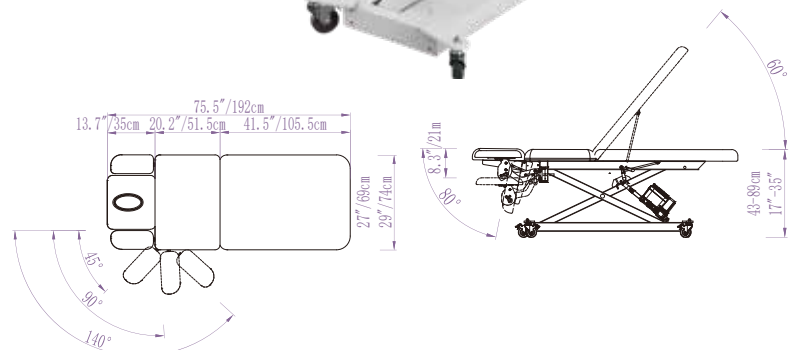
Model:RTC-1

Specifications:

• Lifting Capacity:	440lbs/200kg
• Working Capacity:	595lbs/270kg
• Length:	75.5"/192cm
• Width:	27"/69cm, 29"/74cm Optional
• Height:	17"/43cm~35"/89cm
• Net Weight:	165lbs/75kg~176lbs/80kg
• Gross Weight:	187lbs/85kg~198lbs/90kg
• Package Size:	196cm x 73/78cm x 51cm

Features:

- 3 Year Guarantee
- Heavy Metal Frame
- Electric Height Adjustment
- Manual Adjustable Legrest
- Manual Backrest Adjustment
- Height Adjustable Rotating Front Arms
- 2.5"/6.5cm Hard Foam
- Durable Antibacterial PVC
- 4 Lockable Medical Transport Wheels



Royal Series

Royal-Cabell

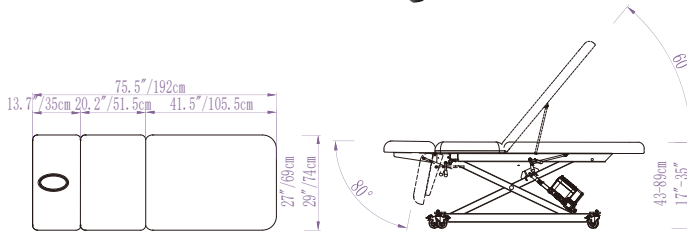
Model:RTC-2

Specifications:

• Lifting Capacity:	440lbs/200kg
• Working Capacity:	595lbs/270kg
• Length:	75.5"/192cm
• Width:	27"/69cm, 29"/74cm Optional
• Height:	17"/43cm~35"/89cm
• Net Weight:	159lbs/72kg~170lbs/77kg
• Gross Weight:	181lbs/82kg~192lbs/87kg
• Package Size:	175cm x 73/78cm x 51cm

Features:

- 3 Year Guarantee
- Heavy Metal Frame
- Electric Height Adjustment
- Manual Adjustable Legrest
- Manual Backrest Adjustment
- 2.5"/6.5cm Hard Foam
- Durable Antibacterial PVC
- 4 Lockable Medical Transport Wheels



Royal-Cabell (With Stirrups)

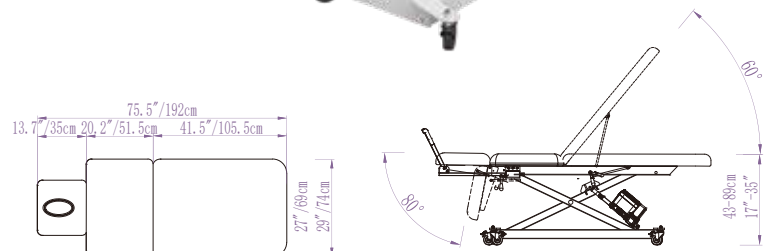
Model:RTC-3

Specifications:

• Lifting Capacity:	440lbs/200kg
• Working Capacity:	595lbs/270kg
• Length:	75.5"/192cm
• Width:	27"/69cm, 29"/74cm Optional
• Height:	17"/43cm~35"/89cm
• Net Weight:	165lbs/75kg~176lbs/80kg
• Gross Weight:	187lbs/85kg~198lbs/90kg
• Package Size:	196cm x 73/78cm x 51cm

Features:

- 3 Year Guarantee
- Heavy Metal Frame
- Electric Height Adjustment
- Manual Adjustable Legrest
- Manual Backrest Adjustment
- Equipped with stirrups
- 2.5"/6.5cm Hard Foam
- Durable Antibacterial PVC
- 4 Lockable Medical Transport Wheels



Royal Series

Royal-Cabell-2+FEA (3 Motors)

Model:RTC2-FEA

Specifications:

• Lifting Capacity:	418lbs/190kg
• Working Capacity:	595lbs/270kg
• Length:	72"/183cm
• Width:	27"/69cm, 29"/74cm Optional
• Height:	21"/53cm~38"/97cm
• Net Weight:	198lbs/90kg~209lbs/95kg
• Gross Weight:	220lbs/100kg~230lbs/105kg
• Package Size:	167cm x 73/78cm x 57cm

Features:

- 3 Year Guarantee
- Heavy Metal Frame
- Electric Height Adjustment
- Electric Backrest Adjustment
- Electric Leg-rest Adjustment
- 2.5"/6.5cm Hard Foam
- Durable Antibacterial PVC
- 4 Lockable Medical Transport Wheels



Royal-Cabell-3+FEA (3 Motors)

Model:RTC3-FEA

Specifications:

• Lifting Capacity:	418lbs/190kg
• Working Capacity:	595lbs/270kg
• Length:	72"/183cm
• Width:	27"/69cm, 29"/74cm Optional
• Height:	21"/53cm~38"/97cm
• Net Weight:	198lbs/90kg~209lbs/95kg
• Gross Weight:	220lbs/100kg~230lbs/105kg
• Package Size:	167cm x 73/78cm x 57cm

Features:

- 3 Year Guarantee
- Heavy Metal Frame
- Electric Height Adjustment
- Electric Backrest Adjustment
- Electric Leg-rest Adjustment
- Equipped with Stirrups
- 2.5"/6.5cm Hard Foam
- Durable Antibacterial PVC
- 4 Lockable Medical Transport Wheels



Royal Series

Royal-Infinity

Model:RTI

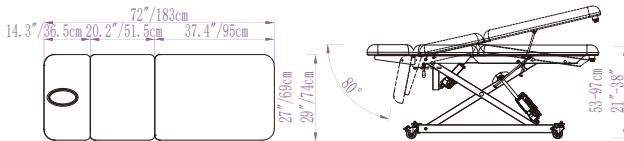


Features:

- 3 Year Guarantee
- Heavy Metal Frame
- Electric Height Adjustment
- Manual Adjustable Leg-rest
- Electric Middle Section Adjustment
- Tail Section Manual Adjustment
- 2.5"/6.5cm Hard Foam
- Durable Antibacterial PVC
- 4 Lockable Medical Transport Wheels

Specifications:

• Lifting Capacity:	450lbs/205kg
• Working Capacity:	595lbs/270kg
• Length:	72"/183cm
• Width:	27"/69cm, 29"/74cm Optional
• Height:	21"/53cm~38"/97cm
• Net Weight:	174lbs/79kg~187lbs/85kg
• Gross Weight:	187lbs/85kg~198lbs/90kg
• Package Size:	167cm x 73/78cm x 57cm



Royal-Noah

Model:RTN

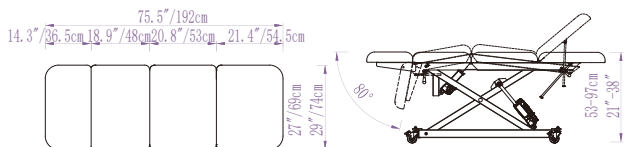


Features:

- 3 Year Guarantee
- Heavy Metal Frame
- Electric Height Adjustment
- Manual Adjustable Leg-rest
- Middle Section Electric Adjustment
- Tail Section Manual Adjustment
- 2.5"/6.5cm Hard Foam
- Durable Antibacterial PVC
- 4 Lockable Medical Transport Wheels

Specifications:

• Lifting Capacity:	450lbs/205kg
• Working Capacity:	595lbs/270kg
• Length:	75.5"/192cm
• Width:	27"/69cm, 29"/74cm Optional
• Height:	21"/53cm~38"/97cm
• Net Weight:	163lbs/74kg~176lbs/80kg
• Gross Weight:	183lbs/83kg~186lbs/89kg
• Package Size:	175cm x 73/78cm x 57cm



Royal-Russel

Model:RTR

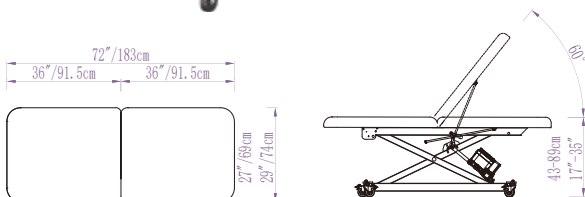


Features:

- 3 Year Guarantee
- Heavy Metal Frame
- Electric Height Adjustment
- 2.5"/6.5cm Hard Foam
- Manual Backrest Adjustment
- Durable Antibacterial PVC
- 4 Lockable Medical Transport Wheels

Specifications:

• Lifting Capacity:	450lbs/205kg
• Working Capacity:	595lbs/270kg
• Length:	72"/183cm
• Width:	27"/69cm, 29"/74cm Optional
• Height:	17"/43cm~35"/89cm
• Net Weight:	154lbs/70kg~165lbs/75kg
• Gross Weight:	174lbs/79kg~182lbs/83kg
• Package Size:	188cm x 73/78cm x 51cm



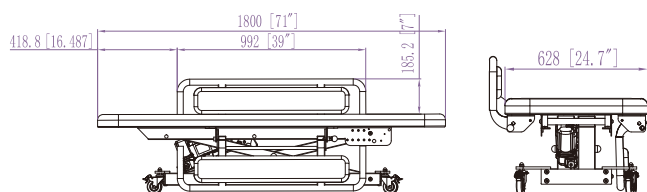
Royal-Changing (ADA compliant)

Model: RTN-S27



Specifications:

• Lifting Capacity:	440lbs/200kgs
• Working Capacity:	550 lbs/250kgs
• Length:	71"/180cm or 60"/152cm
• Width:	27"/69cm
• Height:	17"/43cm - 33"/84cm
• Net Weight:	172lbs/78kg
• Gross Weight:	186lbs/88kg
• Package Size:	187cm x 67cm x 49cm



Features:

- 3 Year Guarantee
- Heavy Metal Frame
- Electric Height Adjustment
- 2"/5cm Hard Foam
- Padded side rails (Full length)
- Paper Roll Holder
- Durable Antibacterial PVC
- 4 Lockable Medical Transport Wheels
- Foot switch Control
- Optional hand controller

Royal Series

Royal-SPA

Model:ERS



Video

The Royal SPA is ideal for massage therapists and chiropractors, for giving facials, wax treatments, manicures, pedicures, beautician treatments and a variety of other bodyworks. This table offers the maximum adjustability possible and is able to function as a massage table, a luxurious SPA chair, and anything in between. Royal SPA features a fully adjustable electric salon top which provides an easy-control electric height adjustment, electrical tilting backrest, electrical leg rest and four lockable casters provide both stability and easy mobility.

Standard Features:

- 5 Year Limited Warranty
- Heavy-duty steel frame
- Easy controlled electric tilting backrest
- Easy controlled electric lifting leg rest
- Electric elevating table top controlled by both hand and foot
- Adjustable headrest and lowered armrest
- Removable arm-wings at both side of the headrest
- Height adjustable and removable leveled armrest
- Lockable wheels for both stability and easy mobility
- 2.5"/6.5cm thick multi-layered Semi-firm foam system
- Durable Standard PVC upholstery

Specifications:

• Lifting Weight Capacity:	420lbs/190kg
• Length:	75"/190cm(including headrest)
• Width Options:	27"/67cm or 29"/73cm available
• Height Range:	20.5"/52cm~38.5"/97.5cm
• Weight Range:	222lbs/101kg~240lbs/109kg
• Shipping Weight:	242lbs/110kg~260lbs/118kg
• Shipping Dimensions:	64"/162cmx30"/75cmx23.5"/60cm

Accessories:

- An ultra soft deluxe face cushion
- Removable leveled armrest
- 2x Side arm wings
- Contoured lower arm-support



Manually adjustable headrest and lowered armrest.



Adjustable arm wings are perfect when you want to perform techniques while the client's arms are above his or her head.



Four lockable casters provide both stability and easy mobility.



This table offers the maximum adjustability possible and is able to function as a massage table, a luxurious SPA chair and anything in between.

Royal Series

Royal-Basic

Model:ERS

Specifications:

• Lifting Weight Capacity:	450lbs/205kg
• Length:	80"/202cm(including headrest)
• Width Options:	27"/68cm, 29"/73cm available
• Height Range:	20.4"/52cm~38.5"/97.5cm
• Weight Range:	148lbs/67kg~167lbs/76kg
• Shipping Weight:	168lbs/76kg~187lbs/85kg
• Shipping Dimensions:	76"/192cmx30"/75cmx22.5"/57cm

Key Features:

- Contoured shape table top
- Heavy duty steel frame with lockable wheels
- Electrical lift adjustments controlled by foot pedal
- Manually adjustment headrest and lowered arm support
- 2.5"/6.5cm thick multi-layered Semi-firm foam system
- Durable Standard PVC upholstery



Royal Lift-Back

Model:ERL

Key Features:

- Heavy-duty steel frame with lockable wheels
- Electrical lift adjustments controlled by foot pedal
- Manually adjustable backrest
- Manually adjustment headrest and lowered arm support
- 2.5"/6.5cm thick multi-layered Semi-firm foam system
- Durable Standard PVC upholstery

Specifications:

• Lifting Weight Capacity:	450lbs/205kg
• Length:	72.5"/184cm(table top) Including headrest: 83"/211cm
• Width Options:	27"/68cm, 29"/71cm available
• Height Range:	20.5"/52cm~38.5"/97.5cm
• Weight Range:	154lbs/70kg~163lbs/74kg
• Shipping Weight:	174lbs/79kg~183lbs/83kg
• Shipping Dimensions:	76"/192cmx30"/75cmx22.5"/57cm



Accessories:

- Standard adjustable face cradle, face cushion and a reinforced armsling



Video



Royal-Midlift

Model:ERM

Key Features:

- Heavy-duty steel frame with lockable wheels
- Electrical lift adjustments controlled by foot pedal
- Manually adjustment headrest and arm-support
- 2.5"/6.5cm thick multi-layered Semi-firm foam system
- Contoured shape table top
- Electrically operated middle-lift
- Durable Standard PVC upholstery

Specifications:

• Lifting Capacity:	429lbs/195kg
• Length:	76"/192cm(including headrest)
• Width:	27"/68cm, 29"/71cm available
• Height Range:	20.4"/52cm~38.5"/97.5cm
• Weight Range:	162lbs/74kg~176lbs/80kg
• Shipping Weight:	182lbs/83kg~196lbs/89kg
• Shipping Dimensions:	73"/185cmx31"/78cmx22.5"/57cm



Video



Royal-Treatment

Model:ERT

Key Features:

- Heavy-duty steel frame with lockable wheels
- Electrical lift adjustments controlled by foot pedal
- Breathing space with filler on backrest area
- 2.5"/6.5cm thick multi-layered Semi-firm foam system
- Manually adjustable backrest
- Manually adjustable leg rest
- Electrically operated middle-lift
- Durable Standard PVC upholstery

Specifications:

• Lifting Capacity:	450lbs/205kg
• Length:	76"/194cm(table top) Including headrest: 87"/220cm
• Width:	27"/68cm, 29"/71cm available
• Height Range:	20.5"/52cm~38.5"/97.5cm
• Weight Range:	154lbs/70kg~163lbs/74kg
• Shipping Weight:	174lbs/79kg~183lbs/83kg
• Shipping Dimensions:	66"/167cmx30"/75cmx22.5"/57cm

Accessories:

- Standard adjustable face cradle, face cushion and a reinforced arm sling

Royal Midlift-Taillift

Model:ERM-T

Key Features:

- Heavy-duty steel frame with lockable wheels
- Electrical lift adjustments controlled by foot pedal
- Manually adjustment headrest and arm-support
- 2.5"/6.5cm thick multi-layered Semi-firm foam system
- Contoured shape table top
- Electrically operated middle-lift
- Manually adjustment tilting leg-rest
- Durable Standard PVC upholstery

Specifications:

• Lifting Capacity:	429lbs/195kg
• Length:	76"/192cm(including headrest)
• Width:	27"/68cm, 29"/71cm available
• Height Range:	20.4"/52cm~38.5"/97.5cm
• Weight Range:	174lbs/79kg~187lbs/85kg
• Shipping Weight:	194lbs/88kg~207lbs/94kg
• Shipping Dimensions:	73"/185cmx31"/78cmx22.5"/57cm

Accessories:

- Standard adjustable face cradle, face cushion and a reinforced arm sling



Royal Series



Video

Royal-Arjuna

Model:ERA

Specifications:

• Lifting Capacity:	420lbs/190kg
• Length:	70"/178cm(table top) Including headrest: 81"/205cm81"/205cm
• Width:	27"/67cm or 29"/73cm available
• Height Range:	20.4"/52cm~38.5"/97.5cm
• Weight Range:	172lbs/78kg~193lbs/88kg
• Shipping Weight:	192lbs/87kg~213lbs/97kg
• Shipping Dimensions:	64"/162cmx30"/75cmx23.6"/60cm

Key Features:

- Easy controlled electric lifting leg-rest
- Manually adjustment headrest and arm-support
- 2.5"/6.5cm thick multi-layered Semi-firm foam system
- Lockable wheels for both stability and easy mobility
- Electric elevating table top controlled by both hand and foot
- 5 Year Limited Warranty
- Heavy-duty steel frame
- Easy controlled electric tilting backrest
- Durable Standard PVC upholstery
- Removable flexible side arm rest

Accessories:

- Standard adjustable face cradle, face cushion and a reinforced arm sling



Royal - Examination

Model:ERE

Key Features:

- Heavy-duty steel frame with lockable wheels
- Electrical lift adjustments controlled by foot pedal
- 2.5"/6.5cm thick multi-layered Semi-firm foam system
- Manually adjustable backrest
- Manually adjustable leg rest
- Durable Standard PVC upholstery

Accessories:

- Standard adjustable face cradle, face cushion and a reinforced arm sling

Specifications:

• Lifting Capacity:	440lbs/200kg
• Length:	77"/196cm(table top)
• Width:	27"/67cm, 29"/73cm available
• Height Range:	20.4"/52cm~38.5"/97.5cm
• Weight Range:	154lbs/70kg~163lbs/74kg
• Shipping Weight:	174lbs/79kg~183lbs/83kg
• Shipping Dimensions:	66"/167cmx29"/73cmx22.5"/57cm



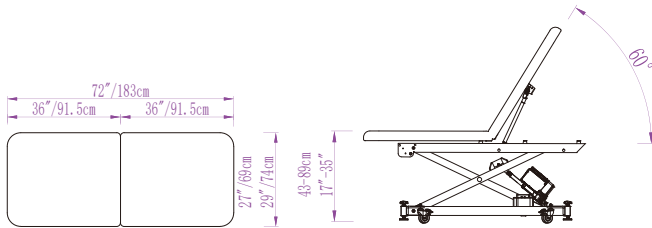
Athena Treatment Table



Athena Series

Athena-Russel

Model:ATR



Specifications:

• Lifting Capacity:	400lbs/181kg
• Working Capacity:	600lbs/272kg
• Length:	72"/183cm
• Width:	27"/69cm, 29"/74cm Optional
• Height:	17"/43cm~35"/89cm
• Net Weight:	161lbs/73kg~172lbs/78kg
• Gross Weight:	180lbs/82kg~189lbs/86kg
• Package Size:	188cm x 73/78cm x 51cm

Features:

- 3 Year Guarantee
- Heavy Metal Frame
- Electric Height Adjustment
- Pneumatic Adjustable Backrest
- 2"/5cm Hard Foam
- Durable Antibacterial PVC
- 4 Lockable Medical Transport Wheels

Athena-Cabell (With Front Arms)

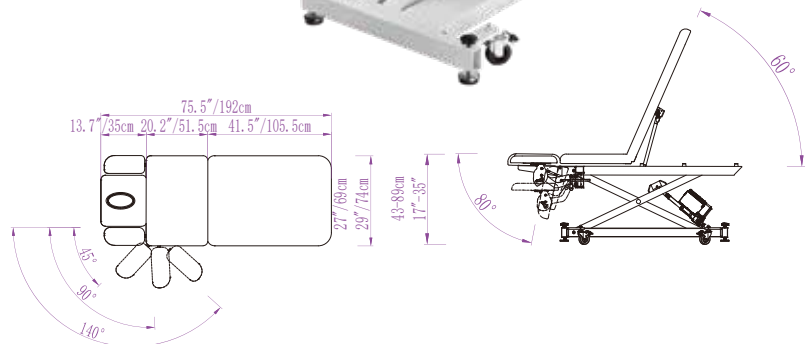
Model:ATC-1

Specifications:

• Lifting Capacity:	400lbs/181kg
• Working Capacity:	600lbs/272kg
• Length:	75.5"/192cm
• Width:	27"/69cm, 29"/74cm Optional
• Height:	17"/43cm~35"/89cm
• Net Weight:	172lbs/78kg~183lbs/83kg
• Gross Weight:	194lbs/88kg~205lbs/93kg
• Package Size:	196cm x 73/78cm x 51cm

Features:

- 3 Year Guarantee
- Heavy Metal Frame
- Electric Height Adjustment
- Manual Adjustable Leg-rest
- Pneumatic Adjustable Backrest
- Height Adjustable Rotating Front Arms
- 2"/5cm Hard Foam
- Durable Antibacterial PVC
- 4 Lockable Medical Transport Wheels



Athena Series

Athena-Cabell

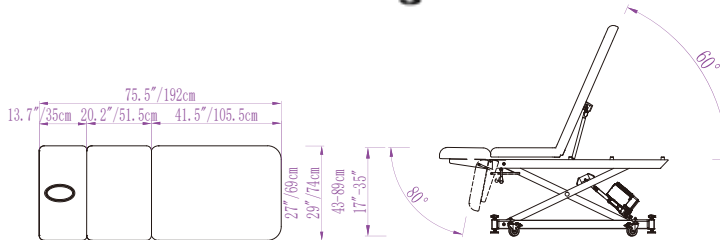
Model:ATC-2

Specifications:

• Lifting Capacity:	400lbs/181kg
• Working Capacity:	600lbs/272kg
• Length:	75.5"/192cm
• Width:	27"/69cm, 29"/74cm Optional
• Height:	17"/43cm~35"/89cm
• Net Weight:	163lbs/74kg~176lbs/80kg
• Gross Weight:	183lbs/83kg~196lbs/89kg
• Package Size:	175cm x 73/78cm x 57cm

Features:

- 3 Year Guarantee
- Heavy Metal Frame
- Electric Height Adjustment
- Manual Adjustable Leg-rest
- Pneumatic Adjustable Backrest
- 2"/5cm Hard Foam
- Durable Antibacterial PVC
- 4 Lockable Medical Transport Wheels



Athena-Cabell (Full Shrouded Shell)

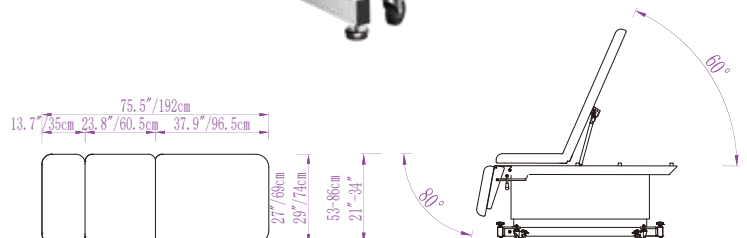
Model:ATC-3

Specifications:

• Lifting Capacity:	400lbs/181kg
• Working Capacity:	600lbs/272kg
• Length:	75.5"/192cm
• Width:	27"/69cm, 29"/74cm Optional
• Height:	21"/53cm~34"/86cm
• Net Weight:	180lbs/82kg~194lbs/88kg
• Gross Weight:	200lbs/91kg~216lbs/98kg
• Package Size:	175cm x 73/78cm x 57cm

Features:

- 3 Year Guarantee
- Heavy Metal Frame
- Electric Height Adjustment
- Manual Adjustable Leg-rest
- Pneumatic Adjustable Backrest
- Fully Shrouded Shell
- 2"/5cm Hard Foam
- Durable Antibacterial PVC
- 4 Lockable Medical Transport Wheels



Athena Series

Athena-Cabell (With Stirrups)

Model:ATC-4

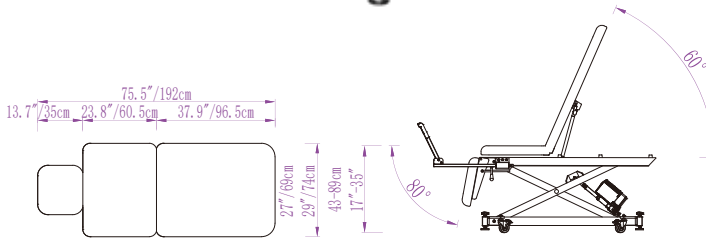


Specifications:

• Lifting Capacity:	400lbs/181kg
• Working Capacity:	600lbs/272kg
• Length:	75.5"/192cm
• Width:	27"/69cm, 29"/74cm Optional
• Height:	17"/43cm~35"/89cm
• Net Weight:	170lbs/77kg~183lbs/83kg
• Gross Weight:	189lbs/86kg~203lbs/92kg
• Package Size:	175cm x 73/78cm x 57cm

Features:

- 3 Year Guarantee
- Heavy Metal Frame
- Electric Height Adjustment
- Manual Adjustable Leg-rest
- Pneumatic Adjustable Backrest
- Equipped with Stirrups
- 2"/5cm Hard Foam
- Durable Antibacterial PVC
- 4 Lockable Medical Transport Wheels



Athena-Cabell (With Stirrups and Shrouded Shell)

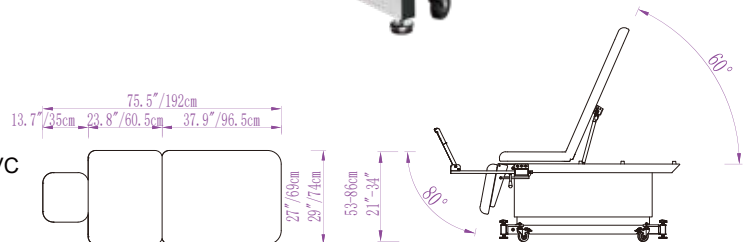
Model:ATC-5

Specifications:

• Lifting Capacity:	400lbs/181kg
• Working Capacity:	600lbs/272kg
• Length:	75.5"/192cm
• Width:	27"/69cm, 29"/74cm Optional
• Height:	21"/53cm~34"/86cm
• Net Weight:	187lbs/85kg~200lbs/91kg
• Gross Weight:	207lbs/94kg~220lbs/100kg
• Package Size:	175cm x 73/78cm x 57cm

Features:

- 3 Year Guarantee
- Heavy Metal Frame
- Electric Height Adjustment
- Manual Adjustable Leg-rest
- Pneumatic Adjustable Backrest
- Equipped with Stirrups
- Fully Shrouded Shell
- 2"/5cm Hard Foam
- Durable Antibacterial PVC
- 4 Lockable Medical Transport Wheels



Athena Imaging Series

Athena- Electric Imaging Table (ADA compliant)

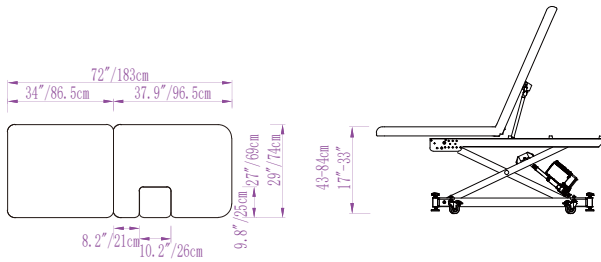
Model:ATR

Specifications:

• Lifting Capacity:	400lbs/181kg
• Working Capacity:	600lbs/272kg
• Length:	72"/183cm
• Width:	27"/69cm or 29"/74cm
• Height:	17"/43cm~33"/84cm
• Imaging Window Dimension:	10" x 10"/25.4cm x 25.4cm
• Net Weight:	172lbs/78kg
• Gross Weight:	194lbs/88kg
• Package Size:	187cm x 75cm x 50cm

Features:

- 3 Year Guarantee
- Heavy Metal Frame
- Electric Height Adjustment
- Head Section Angle: 0° to 80°
- 2"/5cm Hard Foam
- Durable Antibacterial PVC
- Fixed Knob and 4 Lockable Medical Transport Wheels
- Foot switch Control
- Optional hand controller
- Optional Paper Roll Holder
- Optional Side Rail



Athena-Electric Imaging Table (ADA compliant)

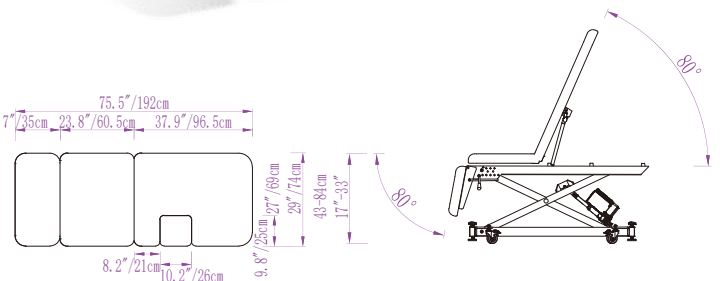
Model:ATC

Specifications:

• Lifting Capacity:	400lbs/181kg
• Working Capacity:	600lbs/272kg
• Length:	75.5"/192cm
• Width:	27"/69cm or 29"/74cm
• Height:	17"/43cm~33"/84cm
• Imaging Window Dimension:	10" x 10"/25.4cm x 25.4cm
• Net Weight:	172lbs/78kg
• Gross Weight:	194lbs/88kg
• Package Size:	177cm x 75cm x 50cm

Features:

- 3 Year Guarantee
- Heavy Metal Frame
- Electric Height Adjustment
- Head Section Angle: 0° to 80°
- Lower Section Angle: 0° to 80°
- 2"/5cm Hard Foam
- Durable Antibacterial PVC
- Fixed Knob and 4 Lockable Medical Transport Wheels
- Foot switch Control
- Optional hand controller
- Optional Paper Roll Holder
- Optional Side Rail



Athena Imaging Series

Athena- Electric Imaging Table with Stirrups(ADA compliant)



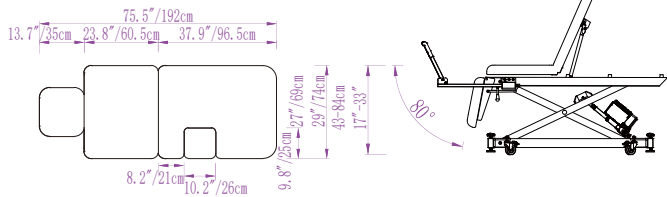
Model:ATC

Specifications:

• Lifting Capacity:	400lbs/181kg
• Working Capacity:	600lbs/272kg
• Length:	75.5"/192cm
• Width:	27"/69cm or 29"/74cm
• Height:	17"/43cm~33"/84cm
• Imaging Window Dimension:	10" x 10"/25.4cm x 25.4cm
• Net Weight:	185lbs/84kg
• Gross Weight:	207lbs/94kg
• Package Size:	177cm x 75cm x 50cm

Features:

- 3 Year Guarantee
- Heavy Metal Frame
- Electric Height Adjustment
- Head Section Angle: 0° to 80°
- VVLower Section Angle: 0° to 80°
- 2"/5cm Hard Foam
- Durable Antibacterial PVC
- Fixed Knob and 4 Lockable Medical Transport Wheels
- Foot switch Control
- Optional hand controller
- Optional Paper Roll Holder
- Optional Side Rail



Goodwill Series

GoodWill series is ADA compliant which can be used for beauty, massage and medical use. The table height can be as low as 44cm which features a powerlift height adjustment. Heavy duty metal frame which offers a 450lbs working capacity, the optional Walk Free Foot Control Bar is very convenient for doctor and massage therapist

Goodwill- Flat

Model:EGF1

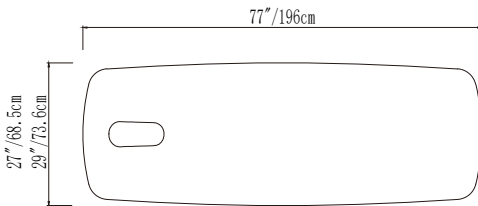


Specifications:

• Working Capacity:	450lbs/204kg
• Lifting Capacity:	450lbs/204kg
• Table Length:	77"/ 196cm (Table top)
• Width:	27"/68.5cm or 29"/73.6cm
• Height Range:	17.5"/44cm~ 37"/94cm
• Net Weight:	125 lbs/ 57kg
• Gross Weight:	138 lbs/ 63kg
• Package Size:	81"/205cmx33.5"/85cmx21"/53cm

Key Features:

- 5 Year Limited Warranty
- Heavy duty steel frame
- Smooth reliable electric lift actuator
- 2.5" thick multi-layered firm foam system
- Durable standard PVC upholstery
- Breathing space with filler
- Convenient foot controller



Goodwill- Basic

Model:EGB



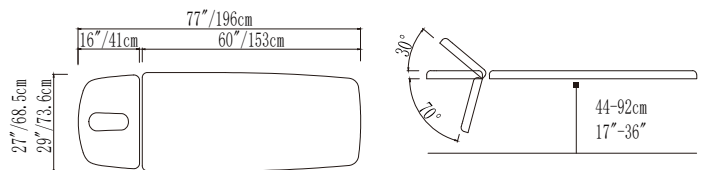
Video

Specifications:

• Working Capacity:	450lbs/204kg
• Lifting Capacity:	450lbs/204kg
• Table Length:	77"/ 196cm (Table top)
• Width:	27"/68.5cm or 29"/73.6cm
• Height Range:	17"/44cm~ 36"/92cm
• Net Weight:	136 lbs/62kg
• Gross Weight:	149 lbs/68kg
• Package Size:	81"/205cmx33.5"/85cmx21"/53cm

Key Features:

- 5 Year Limited Warranty
- Heavy duty steel frame
- Smooth reliable electric lift actuator
- 2.5" thick multi-layered firm foam system
- Durable standard PVC upholstery
- Breathing space with filler
- Convenient foot controller
- Pneumatic lift controlled headrest



Goodwill Series

Goodwill- Basic+Side Arms

Model:EGB+A

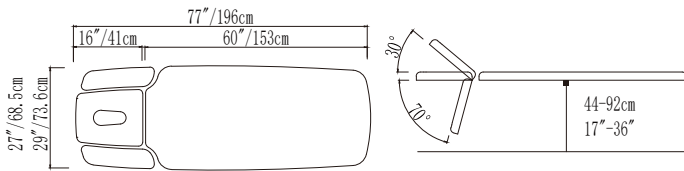


Specifications:

• Working Capacity:	450lbs/204kg
• Lifting Capacity:	450lbs/204kg
• Table Length:	77"/ 196cm (Table top)
• Width:	27"/68.5cm or 29"/73.6cm
• Height Range:	17"/44cm~ 36"/92
• Net Weight:	cm
• Gross Weight:	136 lbs/62kg
• Package Size:	149 lbs/68kg
	81"/205cmx33.5"/85cmx21"/53cm

Key Features:

- 5 Year Limited Warranty
- Heavy duty steel frame
- Smooth reliable electric lift actuator
- 2.5" thick multi-layered firm foam system
- Height adjustable lowered arm-support
- Durable standard PVC upholstery
- Breathing space with filler
- Convenient foot controller
- Pneumatic lift controlled headrest



Goodwill Options

Our standard model of Goodwill itself does not contain Walk-free Control, Hand Control and Paper Roll Holder, all optional parts need to be purchased separately.



Walk-free Control

Walk-free Control makes height adjustment easily from all the way around the bed.



Hand Control

2 Button hand Control is for adjusting the height of the table.



Paper Roll Holder

The Paper Roll Holder can be installed by users or factory. Maximum allowed width of paper roll is 60cm and maximum allowed diameter of paper roll 15cm, which you can purchase anywhere in the market. Hardware pack of installation is included.

Acorn Series



Acorn-Treatment

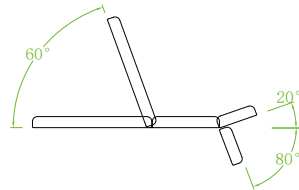
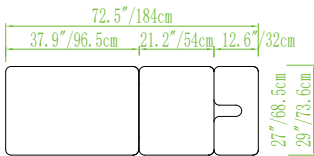
Model:EAT

Specifications:

• Working Capacity:	500lbs/227kg
• Lifting Capacity:	507lbs/230kg
• Table Length:	72.5"/ 184cm
• Width:	27"/68.5cm or 29"/73.6cm
• Height Range:	17.3"/44cm~37"/94cm
• Net Weight:	165lbs/75kg
• Gross Weight:	189lbs/86kg
• Package Size:	67"/171cmx30"/76cmx24"/61cm

Key Features:

- 5 Year Limited Warranty
- Heavy duty steel frame
- Powerlift height adjustment
- Manual adjustable leg-rest and backrest
- 2.5" thick multi-layered firm foam system
- Durable standard PVC upholstery
- Breathing space
- Convenient foot controller



Acorn-Basic

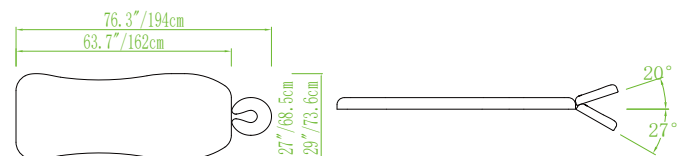
Model:EAB

Specifications:

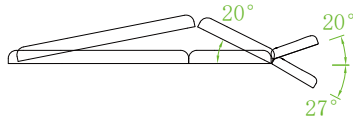
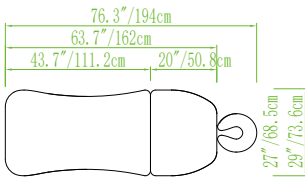
• Working Capacity:	450lbs/204kg
• Lifting Capacity:	450lbs/204kg
• Table Length:	76.3"/ 194cm (Table top)
• Width:	27"/68.5cm or 29"/73.6cm
• Height Range:	17.3"/44cm~37"/94cm
• Net Weight:	135lbs/61kg
• Gross Weight:	154lbs/70kg
• Package Size:	77"/196cmx30"/76cmx24"/61cm

Key Features:

- 5 Year Limited Warranty
- Heavy duty steel frame
- Powerlift height adjustment
- Manual adjustable headrest and arm support
- 2.5" thick multi-layered firm foam system
- Durable standard PVC upholstery
- Convenient foot controller



Acorn Series



Acorn-Midlift

Model:EAM

Specifications:

Working Capacity:	507lbs/230kg
Lifting Capacity:	507lbs/230kg
Table Length:	76.3"/ 194cm
Width:	27"/68.5cm or 29"/73.6cm
Height Range:	17.3"/44cm~37"/94cm
Net Weight:	154lbs/70kg
Gross Weight:	174lbs/79kg
Package Size:	77"/196cmx30"/76cmx24"/61cm

Key Features:

- 5 Year Limited Warranty
- Heavy duty steel frame
- Powerlift height adjustment
- Powerlift mid-lift adjustment
- Manual adjustable headrest and arm support
- 2.5" thick multi-layered firm foam system
- Durable standard PVC upholstery
- Convenient foot controller

Acorn-Midlift&Tailift

Model:EAM+T

Specifications:

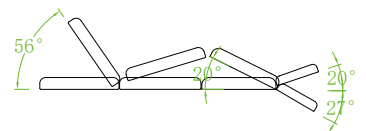
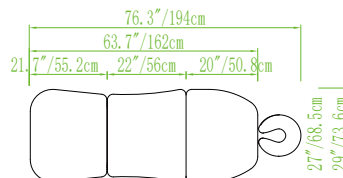
Working Capacity:	507lbs/230kg
Lifting Capacity:	507lbs/230kg
Table Length:	76.3"/ 194cm (Table top)
Width:	27"/68.5cm or 29"/73.6cm
Height Range:	17.3"/44cm~37"/94cm
Net Weight:	158lbs/72kg
Gross Weight:	178lbs/81kg
Package Size:	77"/196cmx30"/76cmx24"/61cm

Key Features:

- 5 Year Limited Warranty
- Heavy duty steel frame
- Powerlift height adjustment
- Powerlift mid-lift adjustment
- Manual adjustable headrest and arm support
- Manual adjustable tail leg-rest
- 2.5" thick multi-layered firm foam system
- Durable standard PVC upholstery
- Convenient foot controller



Video



Max Series



Max- Medical Basic

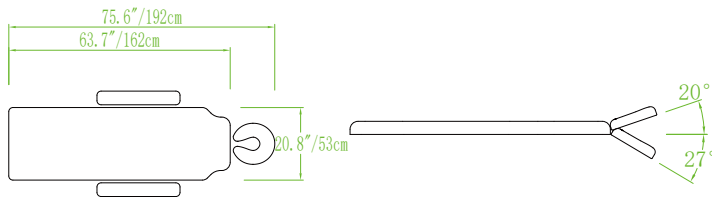
Model:EMMB

Specifications:

Working Capacity:	452lbs/205kg
Lifting Capacity:	452lbs/205kg
Table Length:	75.6"/ 192cm (Table top)
Width:	22"/56cm;25"/63cm or 28"/71cm
Height Range:	21.5"/55cm~30.5"/77cm
Net Weight:	152lbs/69kg
Gross Weight:	165lbs/75kg
Package Size:	77"/195cmx31"/79cmx26.7"/68cm

Key Features:

- 5 Year Limited Warranty
- Heavy duty steel frame
- Single column powerlift height adjustment
- Manual adjustable headrest and arm support
- 2.5" thick multi-layered firm foam system
- Durable standard PVC upholstery
- Convenient foot controller
- Optional side armrest and paper roll holder



Max- Medical Treatment

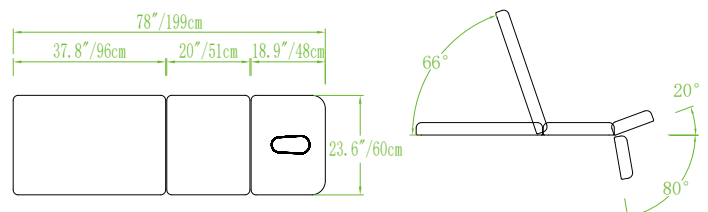
Model:EMMT

Specifications:

Working Capacity:	452lbs/205kg
Lifting Capacity:	452lbs/205kg
Table Length:	78"/ 199cm (Table top)
Width:	22"/56cm;25"/63cm or 28"/71cm
Height Range:	21.5"/55cm~30.5"/77cm
Net Weight:	152lbs/69kg
Gross Weight:	165lbs/75kg
Package Size:	68"/172cmx31"/79cmx26.7"/68cm

Key Features:

- 5 Year Limited Warranty
- Heavy duty steel frame
- Single column powerlift height adjustment
- Manual adjustable legrest and backrest
- 2.5" thick multi-layered firm foam system
- Durable standard PVC upholstery
- Convenient foot controller
- Optional side armrest and paper roll holder



Max Series

Max-Medical Examination

Model:EMME

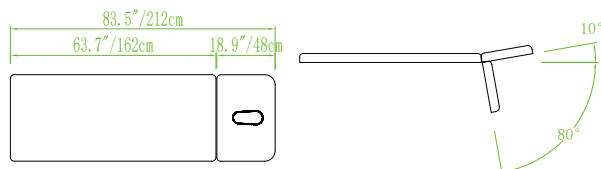


Key Features:

- 5 Year Limited Warranty
- Heavy duty steel frame
- Convenient foot controller
- Manual adjustable headrest
- Breathing space with filler
- 2.5" thick multi-layered firm foam system
- Durable standard PVC upholstery
- Optional side armrest and paper roll holder
- Single column powerlift height adjustment

Specifications:

Working Capacity:	452lbs/205kg
Lifting Capacity:	452lbs/205kg
Table Length:	83.5"/ 212cm (Table top)
Width:	22"/56cm;25"/63cm or 28"/71cm
Height Range:	21.5"/55cm~30.5"/77cm
Net Weight:	152lbs/69kg
Gross Weight:	165lbs/75kg
Package Size:	77"/195cmx31"/79cmx26.7"/68cm



Max-Medical Lift-back

Model:EMML

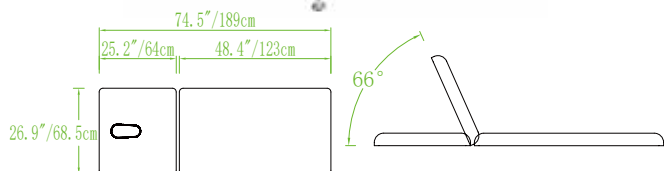


Key Features:

- Single column powerlift height adjustment
- 2.5" thick multi-layered firm foam system
- Durable standard PVC upholstery
- Convenient foot controller
- Optional side armrest and paper roll holder
- 5 Year Limited Warranty
- Heavy duty steel frame
- Manual adjustable backrest
- Breathing space with filler

Specifications:

Working Capacity:	452lbs/205kg
Lifting Capacity:	452lbs/205kg
Table Length:	74.5"/ 189cm
Width:	22"/56cm;25"/63cm or 28"/71cm
Height Range:	21.5"/55cm~30.5"/77cm
Net Weight:	152lbs/69kg
Gross Weight:	165lbs/75kg
Package Size:	77"/195cmx31"/79cmx26.7"/68cm



Max Series Options

Our standard model of Max Table itself does not contain Side Armrest, Table Wheels, Paper Roll Holder, all optional parts need to be purchased separately



Revolving Extended Side Armrest

When extended side armrests are rotated to horizontal position, it will provide patient larger support width and effectively improve the comfort and security of users. When you need to get closer to patient for treatment, you can flip armrest down.



Wheels Option

The bed can be moved easily when lockable wheels are released. Wheels must be installed by the original factory.



Paper Roll Holder

The Paper Roll Holder can be installed by users or factory. Maximum allowed width of paper roll is 60cm and maximum allowed diameter of paper roll 15cm, which you can purchase anywhere in the market. Hardware pack of installation is included.

Standard Flat Model



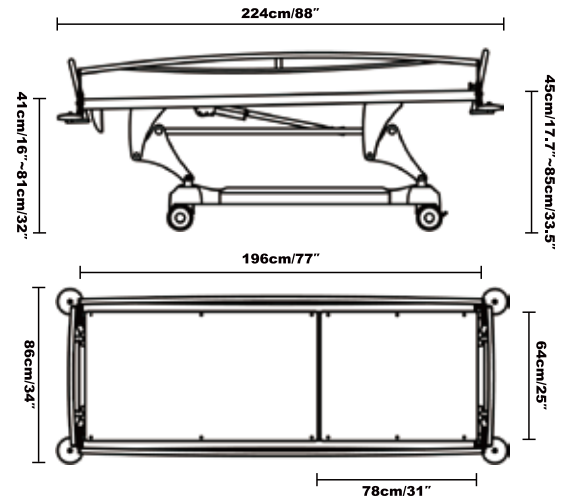
Model: ENS-A

Features:

- Electric adjustable overall height
- Lithium battery and charger
- Hand controller
- Powder coated aluminum drop down revolving guardrail
- Anti-rust aircraft aluminum upper frame
- Castors with a central brake locking system
- Extendable flex drain pipe
- Soft vinyl liner in blue
- Pillow included

Specification:

- External Length: 224cm/88"
- Internal Length: 196cm/77"
- External Width: 86cm/34"
- Internal Width: 64cm/25"
- Height: 41-45cm/16"-17.7"~81cm-85cm/32"-33.5"
- Working Weight: 440lbs/200kg
- Product Weight: 176lbs/80kg
- Gross Weight: 187lbs/85kg
- Package Size: 81"/205cm x 30"/75cm x 21"/53cm



Tilting Backrest Model



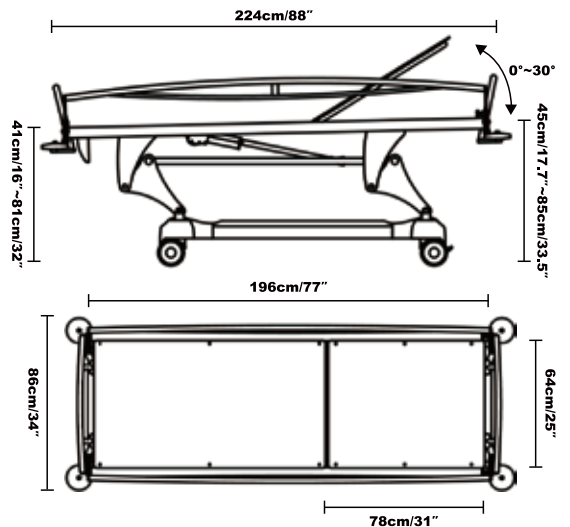
Model: ENS-B

Features:

- Electric height adjustment
- Electric tilting backrest
- Lithium battery and charger
- Hand controller
- Powder coated aluminum drop down revolving guardrail
- Anti-rust aircraft aluminum upper frame
- Castors with a central brake locking system
- Extendable flex drain pipe
- Soft vinyl liner in blue
- Pillow included

Specification:

- External Length: 224cm/88"
- Internal Length: 196cm/77"
- External Width: 86cm/34"
- Internal Width: 64cm/25"
- Height: 41-45cm/16"-17.7"~81cm-85cm/32"-33.5"
- Working Weight: 440lbs/200kg
- Product Weight: 185lbs/84kg
- Gross Weight: 196lbs/89kg
- Package Size: 81"/205cm x 30"/75cm x 21"/53cm



Middle Folding up Model



Video

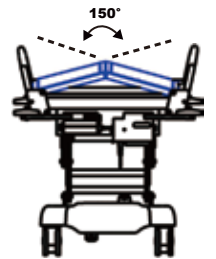
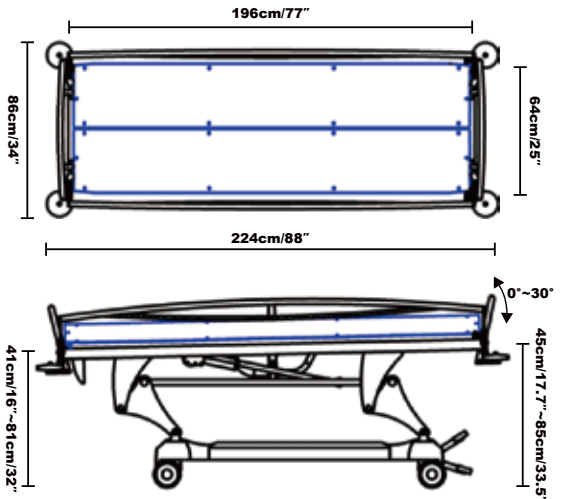
Model: ENS-C

Features:

- Electric height adjustment
- Electric middle folding up for turning over
- Lithium battery and charger
- Hand controller
- Powder coated aluminum drop down revolving guardrail
- Anti-rust aircraft aluminum upper frame
- Castors with a central brake locking system
- Extendable flex drain pipe
- Soft vinyl liner in blue
- Pillow included

Specification:

- External Length: 224cm/88"
- Internal Length: 196cm/77"
- External Width: 86cm/34"
- Internal Width: 64cm/25"
- Height: 41-45cm/16"-17.7"~81cm-85cm/32"-33.5"
- Working Weight: 440lbs/200kg
- Product Weight: 198lbs/90kg
- Gross Weight: 209lbs/95kg
- Package Size: 81"/205cm x 30"/75cm x 21"/53cm



Overall Tilt Model



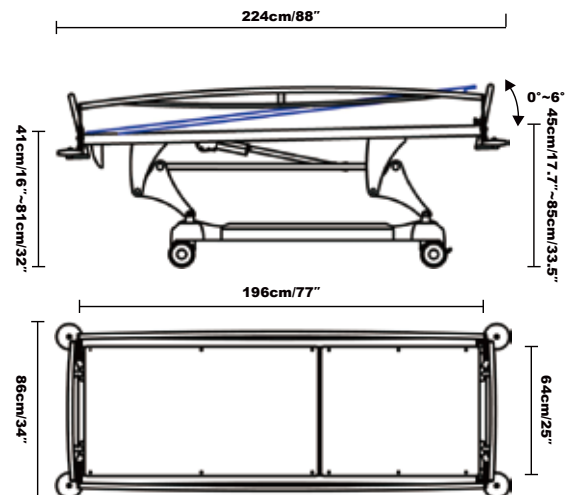
Model: ENS-D

Features:

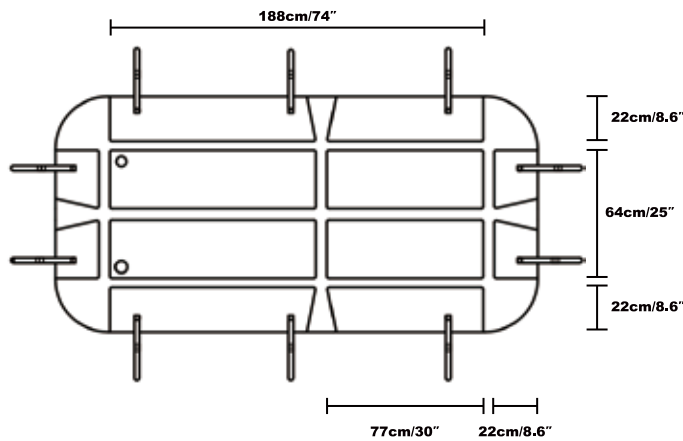
- Electric height adjustment
- Electric overall tilting
- Lithium battery and charger
- Hand controller
- Powder coated aluminum drop down revolving guardrail
- Anti-rust aircraft aluminum upper frame
- Castors with a central brake locking system
- Extendable flex drain pipe
- Soft vinyl liner in blue
- Pillow included

Specification:

- External Length: 224cm/88"
- Internal Length: 196cm/77"
- External Width: 86cm/34"
- Internal Width: 64cm/25"
- Height: 41-45cm/16"-17.7"~81cm-85cm/32"-33.5"
- Working Weight: 440lbs/200kg
- Product Weight: 185lbs/84kg
- Gross Weight: 196lbs/89kg
- Package Size: 81"/205cm x 30"/75cm x 21"/53cm



UNIVERSAL ALL WELDED MATTRESS FOR SHOWER TROLLEY



Model: NT01

Specification:

- Universal size, Suitable for all Noah Trolleys
- Soft vinyl liner in blue
- High density inner filler
- All-welded with sealed surface
- Thickness: 30mm
- Supplied with flexible drain hose



HEAVY DUTY CENTRAL LOCK CASTORS

Our medical 5-inch central control caster meets the European EN12531 medical standard, and the durable brake can be used more than 30000 times. Precise ball bearing is used in the castor center to effectively improve the durability and movement flexibility of castor. The soft surface of the wheel can effectively increase the grip, avoid trolley's sliding on the slippery bathroom floor, reduce the floor wear and effectively reduce the noise. The central brake locking system ensures that the wheels can remain stationary on a 15 degree slope.



TO LOCK & UNLOCK CASTORS

To lock the castors, press the right brake pedal and the four wheels will be locked simultaneously. When bathing the patient, we require that 4 castors must be locked to avoid side slip of the trolley. We must understand the importance of the stability of wheelbarrow, which can greatly improve work efficiency and avoid nurses' distraction while bathing. To unlock the castor, gently press the left pedal down with your foot. When the left pedal reaches the middle position, the right pedal will return to the middle position, and the four castors will be unlocked.



DIRECTIONAL MOVEMENT FUNCTION

When transferring the shower trolley for a long distance, it is recommended to fix the direction of one rear castor, which will help to control the moving direction of the shower trolley and avoid the side slippery. When the left pedal is pressed down, the right pedal will be lifted up automatically and the right rear wheel direction will be fixed.

Remove wheel direction restrictions, gently press the right pedal with your foot. When the right pedal reaches the middle position, the left pedal will return to the middle position, and the rear wheel direction restriction will be released.

BLUEFORD TILT TABLE



Introduction

Blueford Tilt Table can tilt up to 90 degrees and stay at any angle to meet the needs of rehabilitation training, strength and balance re-education for patients who are unable to load their own body weight on their lower limbs. For example: hemiplegia, paralytic stroke, postural hypotension caused by long-term bed rest, postural hypotension caused by early stage of spinal cord injury, myasthenia and cardiovascular disease patients. Our Blueford Tilt Table can be used for both supine and prone position, adults and children.



EB-C022



EB-C012



EB-C031



EB-A021



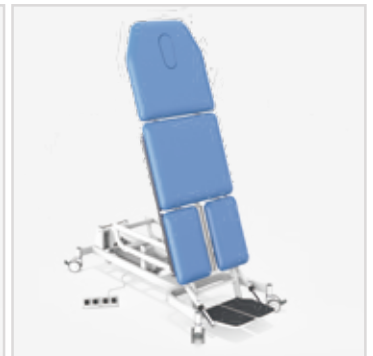
EB-A031



EB-A012



EB-A121



EB-A112



EB-A122



EB-B022



EB-B021



EB-B012



EB-B112



EB-B122



EB-B121



EB-B131

Product Codes Meaning

Blueford table's model code consists of two model codes and four variable codes. Each code has a specific meaning, and corresponds to one or more characteristics of the product. Specifically, it is possible to choose a base model for static exercises from a prone or supine position, pediatric or adult use. The adjustment controls can be hand or foot operated. It's possible to choose from two different footplate modules. Blueford table itself does not contain any standard constraint stop. Various of straps, cushions, handrails, and other accessories, which need to be purchased additionally.

Model: **E** **B** - **B** **1** **2** **1**

Code Position: **1** **2** - **3** **4** **5** **6**

Model Codes Option Codes

Model Codes

POSITION CODE 1

E - Electric

POSITION CODE 2

B - Blueford

Option Codes

POSITION CODE 3

Table Top Style

- A - 3 Section Flat Table Top
- B - 3 Section Backrest Table Top
- C - 2 Section Table Top

POSITION CODE 4

Breath Hole + Filler

- 1 - With Breath Hole + Filler
- 0 - Without Breath Hole

POSITION CODE 5

Control System

- 1 - Foot Pedal on Floor
- 2 - Foot Pedal on Frame
- 3 - Hand Control

POSITION CODE 6

Footplates

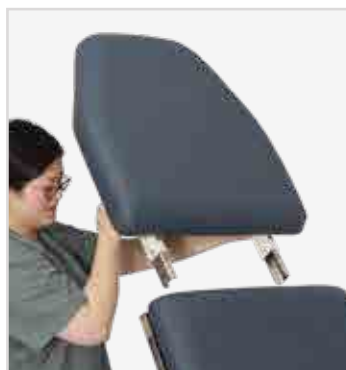
- 1 - Single Footplate
- 2 - Independent Footplates



Removable Chest Support



Removable Arm Support



Removable Backrest Section



Pneumatic Tilting Backrest

POSITION 3

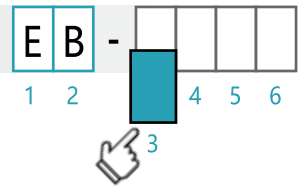


Table Top Style

The main difference between the models EB-1~2 and EB-3 is the length of the table, The EB3 model, specifically, has been projected for static prone use with patients who are at least 135 cm tall, and static supine use with pediatric patients. The EB-1~2 with their removable and replaceable backrest section can be used for both adults and children with prone or supine position. The innovative tilting backrest design enables Blueford to be used as nursing bed, treatment table or chiropractic table. The tilting backrest can have positive and negative tilt adjustment: up to +80°/-20°. The breath hole design further expands the possibilities of Blueford's massage and bobath and other functions.



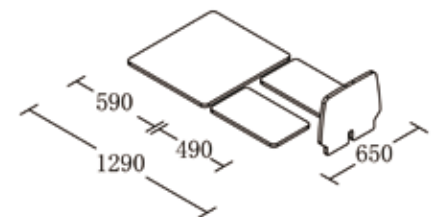
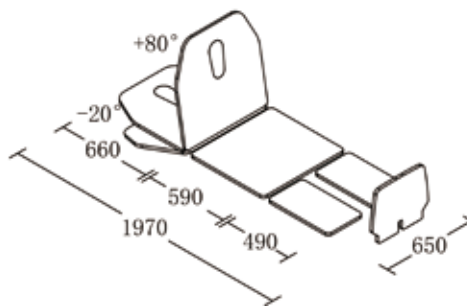
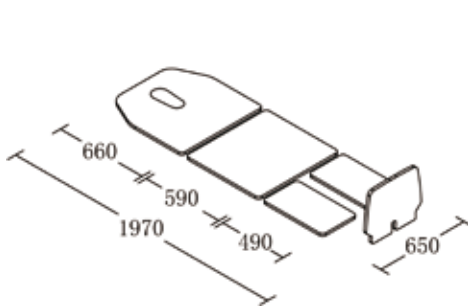
1 3 Section Flat Table Top



2 3 Section Backrest Table Top

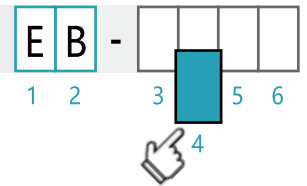


3 2 Section Table Top



WARNING: it is possible to transform one model into the other by simply removing or adding, For the product of EB-3, if you simply add part BA401(Backrest Section) on it, the product will be changed into EB-1. For the product of EB-1~2, if you remove the backrest section from them, the products will be changed into EB-3.

POSITION 4



Breath Hole + Filler

The breath hole was set in advance by original factory. Please indicate in advance when ordering.

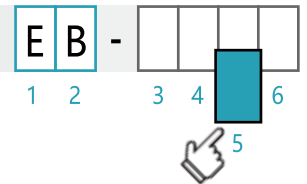


1 With Breath Hole + Filler



0 Without Breath Hole

POSITION 5



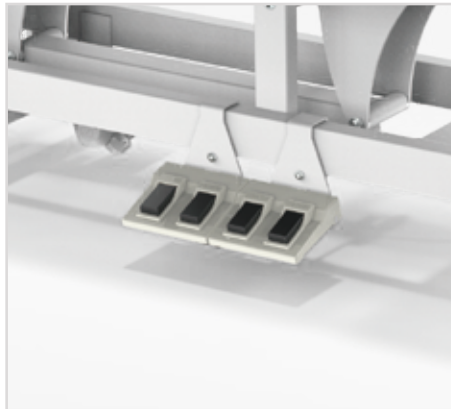
Control System

Blueford table has both table height adjusting and tilt lifting function. To control the Blueford dynamic system, it is possible to choose among three options, that is, two pedal controls on the floor or on a metal base attached aside of the table frame as well as a hand control. Blueford's dynamic system consists of two electric Dewert brand actuators, one is responsible for adjusting the table height, another is responsible for adjusting the tilt angle. Actuators work independently or cooperatively through preset programs and Hall sensors as required. For example, when the angle lifting command is given, the program will first give command to lower down the table height.



1 Foot Pedal on Floor

The foot pedal is placed on the floor. The connection cable allows for complete freedom of movement.



2 Foot Pedal on Frame

The foot pedal is securely placed in a special cradle, which is attached at the base of the structure. The pedal control on its cradle makes the transferring and cleaning of the table easier.



3 Hand Control

The hand control is convenient since its mobility and lightweight, which enable patients to control the table by themselves. It comes with connection cable.

Footplates

It is possible to choose among Single Footplate or Two Independent Footplates. All footplates can be tilted positively and negatively. Please specify the optional footplates when purchasing Blueford table.



1 Single Footplate
Single Footplate can be adjusted in tilt +/- 20°.



2 Two Independent Footplates
Both footplates, right and left, can be adjusted independently in tilt +/- 20°.

POSSIBILITY TO INTERCHANGE FOOTPLATES

The Single Footplate and Two Independent Footplates both are removable and exchangeable, when the table is purchased, a preference regarding the choice of a footplate must be stated. However, it is also possible, in that moment or even later, to order other modules of footplates and replace it by yourself.

When the bed is at a horizontal angle and the therapist needs more space to complete the treatment of the patient, you can rotate the footplate down to save the space.



Backrest, Chest Support & Padded Support

To serve broader users of different heights and ages, and allow to change from a static supine position to a different static prone position. When users purchase a certain table model, we recommend users to purchase other backrest section at the same time or even later, so as to help users to replace and install them during the use. All backrests and chest support have a universal mounting size and can be installed on your Blueford tables.



BA401 - Flat Backrest Section

The Blueford table equipped with BA401 can provide supine standing exercises, while allowing to provide a supporting surface to the patient body when it is in a horizontal state. This section can be easily removed and installed by the therapist without the need of any tools. The installation process is also very simple, just insert the tubes on both sides of the backrest into the corresponding slots on the bed. It has two side hand grips, which are very convenient to take.

Dimensions: 66 x 65 x 11 cm. Weight: 9 kg MOQ: 10 Piece



BA402 - Tilting Backrest Section

The installation of the BA402 will further expand the use functions of Blueford. In addition to all the functions of BA401, it can help patient get a better posture when patient lies on his back or the doctor gives a treatment to the patient's legs.

Dimensions: 66 x 65 x 18 cm. Weight: 11 kg MOQ: 10 Piece



BA403 - Flat Backrest Section (with Breath-hole)

BA403 is based on BA401, which adds breathing hole and hole plug, which can expand the back treatment possibilities of Blueford when patient is lying on the prone.

Dimensions: 66 x 65 x 11 cm. Weight: 9 kg MOQ: 10 Piece



BA404 - Tilting Backrest Section (with Breath-hole)

B404 is based on BA402, which adds breathing hole and hole plug. Blueford with BA404 has the most comprehensive functions. It can be used no matter the patient needs to maintain sitting, standing, supine and prone posture. It can be used not only for recovery exercise, but also for back treatment and leg treatment.

Dimensions: 66 x 65 x 18 cm. Weight: 11 kg MOQ: 10 Piece



BA405 - CHEST SUPPORT

This Chest Support Padded offers support to the patient at chest level and can be installed on any type of Blueford bed without any installation tools. It has a width of 36cm. It is height adjustable which fits the needs of patient's height for most comfort.

Dimensions: 56 x 36 x 9 cm. Weight: 4 kg MOQ: 10 Piece



BA406 - ARM SUPPORT

When the backrest section has been removed for transforming it for prone static activities, it is possible to insert the arm support on the upper part of the table to rest comfortably the upper limbs of the patient.

Dimensions: 65 x 14 x 11 cm. Weight: 2.5 kg MOQ: 10 Piece



STRAPS AND OTHER PADDED ELEMENTS



BA001 - BASIC STRAP

To provide better restraint for patients, fixed by velcro, there are guide rails on both sides of the table frame, which can fix the straps at the required height.

MOQ: 10 Pcs



BA002 - PADDED CUSHION FOR STRAP

Padded Cushion can provide better comfort for patients, wrapping the body shape of patients and better support. The product itself does not contain strap and needs to be used together with BA001.

MOQ: 10 Pcs



BA003 - PADDED BODY STRAP

A strap with a padded support for comfortable, safety, retention of the person. It is recommended for fitting at the trunk or pelvis.

MOQ: 10 Pcs



BA004 - PADDED KNEE STRAP

A strap with a padded support for positioning and stabilizing an individual lower limb. This type of strap can be used for all Blueford that have a Central Guide (BA102) for anchoring the strap.



BA005 - PADDED LEG STRAP

Double straps with a padded support for containing both lower limbs. It can be fixed on both sides of the table frame at required height.

MOQ: 10 Pcs

STRAPS AND OTHER PADDED ELEMENTS



BA101 CERVICAL CUSHION

In order to better restrain and stabilize the lateral position of the patient's head, this padded shaped cushion is very important. There is a Velcro at the backside of the cushion, which can quickly adjust the position and height of the cushion as required to obtain the best position and support. (Strap included)

MOQ: 10 Set



BA102 CENTRAL GUIDE KIT

Blueford table itself does not contain the Central Guide Kit, user needs to purchase it separately. The Central Guide Kit can be fixed onto the central rail of Blueford table, which is located between the legs sections of the table. It can be easily mounted without the use of any tools. Using knee strap or abduction block, Central Guide Kit needs to be installed first.

MOQ: 10 Set



BA103 ABDUCTION BLOCK

The abduction block can be installed on the center guide (BA102) to keep the patient's legs apart. It's easy to install without using any tools. The abduction block can slide along with central guide to adjust the height so as to be fixed at any desired position.

MOQ: 10 Set



BA104 BREATHING HOLE PLUG

It can be ordered as an accessory to the same colour as the table.

MOQ: 10 Set

DIFFERENT LATERAL SUPPORTS

The Blueford table can be equipped with various of lateral supports to limit or help the patient stay stable when preparing to exercise in a static supine or prone position. Our Blueford table itself does not contain the fixing devices and various of supports, which need to be ordered additionally. To install the lateral support device, you need to install our General Fixing Device (BA608) at first.



BA608 GENERAL FIXING DEVICES

To install the optional lateral support, BA608 must be installed first. It can slide on the Blueford side bracket and support the lateral support to adjust on the BA608.

MOQ: 10 Pair

How To Install General Fixing Devices(BA608)

The therapist must install the BA608 on each side of the lateral bar along the side of the static table. This is easy to do and does not require the use of any tools. The BA608 can slide along the lateral bar to the most suitable position for the application of the selected lateral support. The Blueford table's lateral bars are equipped with a scale to allow accurate positioning according to symmetry and regulations of each specific patient. All lateral support can be adjusted in height and depth.



Step 1: Mounting the BA608 on the lateral bar.



Step 2: Sliding BA608 to a proper position and tightening the knob to fix it.



Step 3 : Insert lateral support accessory into the sleeve of BA608, adjust it to a proper position and lock it.

DIFFERENT LATERAL SUPPORT ACCESSORIES



BA201 ROUND LATERAL SUPPORT

BA201 is made of black soft material, stainless steel base. It can adjust the width to adapt to different patients' body shape for better supporting. The height of BA201 can be adjusted by adjusting the position of BA608 on the side lateral bar of the static table. (BA608 is excluded)

MOQ: 10 Pair



BA202 LATERAL SUPPORT PADDING

BA202 is composed of a rectangular sponge pad, stainless steel bracket. Therapist can easily adjust the width to fit the patient's body shape without the use of any tools. It can slide to be adjusted in height along the lateral bar and be fixed at any desired position. (BA608 is excluded)

MOQ: 10 Pair



BA203 FOREARM SUPPORTS

Forearm Supports consist of curved shaped soft arm bracket, soft handgrip, stainless steel base. It allows rotation and height adjustment to meet the needs of different users and different positions.

(BA608 is excluded)

MOQ: 10 Pair



BA204 HAND GRIPS

Side handles allow the patients to grip and support themselves while exercising in a static supine position. They can be adjusted in height and depth.

(BA608 is excluded)

MOQ: 10 Pair

Accessories

SERVICE TRAY



BA301 Service Tray

Made of high-density polyethylene with antibacterial function. It features a large size and arc shape and angle adjustment, and the inside arc shape make it much easier to get close to the patient. The tray angle can be adjusted freely by pneumatic pump. The frame is made of stainless steel and has the function of depth adjustment. At the same time, it can adjust the height by adjusting the position of BA608 on the lateral bar of the static table. BA608 is included. Dimensions: 65cm x 40cm x 2cm. Weight: 9 kg
MOQ: 10 Pair



FOOT PLATE

The Single Footplate and Two Independent Footplates both are removable and exchangeable, when the table is purchased, a preference regarding the choice of a footplate must be stated. However, it is also possible, in that moment or even later, to order other modules of footplates and replace it by yourself.



BA611 SINGLE FOOTPLATE

The single footplate is detachable, with an adjustable angle of +/- 20°. It can even rotate -180° to provide more space for treatment needs. It equipped groove for Fixed Sandals (BA501) installation.
MOQ: 10 Pair



BA612 INDEPENDENT FOOTPLATES

Both footplates, right and left, can be adjusted independently in tilt +/- 20°. It can even rotate -180° to provide more space for treatment needs. Both Footplates equipped groove for Fixed Sandals (BA501) installation.
MOQ: 10 Pair

SANDALS



BA501 FIXED SANDALS

The Fixed Sandals are made of heavy metal steel plate, which is easy to be installed, and it's angle and position adjustable. They can be used to install on both the Single Footplate the Two Independent Footplates. They effectively restrain and stabilize the feet and prevent patients from slipping.
MOQ: 10 Pair



TABLE REPLACEMENTS

Except optional accessories, we also provide basic replacement of Blueford table. All replacement of electronic parts can only be carried out by certified electricians. Before replacing parts, do make sure that the power supply is cut off, the table is set to the lowest height, and the table is in a rollover state. You need an assistant to prevent injury or desktop collapse.



BA601 FOOT PEDAL

Double control foot switch can be used to control the overall lifting and tilting angle of the table. The input and output voltage is 24 V.



BA602 HAND CONTROL

The hand control is convenient since its mobility and lightweight, which enable patients to control the table by themselves. It comes with connection cable.



BA603 ADAPTOR

Input Voltage: 110V ~ 230V, Output 24V. It is responsible for receiving signals from Hall Sensors and coordinating the two actuators to work according to procedures and user instructions.



BA604 ACTUATOR FOR TABLE HEIGHT

German Dewert Brand, Input Voltage: 24V, Working Weight: 6000N, Stroke: 195mm



BA605 ACTUATOR FOR TILTING

German Dewert Brand, Input Voltage: 24V, Working Weight: 8000N, Stroke: 198mm



BA606 POWER CABLE

We provide different plugs for different countries, such as European plug and American plug and so on.



BA607 TILT INDICATOR

All Singtang's static tables have a protractor that is a standard fitting, to indicate the tilt in degrees. During the rehabilitation programme, it is therefore possible to monitor the progression in reaching and maintaining an upright position.






BA610 Y SPLITTER CABLE

An additional hand controller or foot pedal can be added by installing BA610 on BA603(Control box). After installation, use cable tie to secure extra wires to the bed frame to prevent the wires from being pulled off during movement of the bed frame.



BA609 FOOT PEDAL HOLDER

It can be installed on either side of the Blueford table frame, the installation hardware is in the package.

Product code	EB-1	EB-2	EB-3
Image			
- Length	197cm		125cm
- Width	65cm		
- Height	47cm-87cm		
- Maximum User Height	205cm		
- Working Load	250kg/8000N Actuator		
POSITION CODE 3 Table Top			
1 - 3 Section Flat Table Top	<input checked="" type="checkbox"/>	<input type="checkbox"/>	<input type="checkbox"/>
2 - 3 Section Backrest Table Top	<input type="checkbox"/>	<input checked="" type="checkbox"/>	<input type="checkbox"/>
3 - 2 Section Table Top	<input type="checkbox"/>	<input type="checkbox"/>	<input checked="" type="checkbox"/>
POSITION CODE 4 Breath Hole + Filler			
1 - Breath Hole + Filler	<input type="checkbox"/>	<input type="checkbox"/>	<input type="checkbox"/>
POSITION CODE 5 Control System			
1 - Foot Pedal on Floor	<input checked="" type="checkbox"/>	<input checked="" type="checkbox"/>	<input checked="" type="checkbox"/>
2 - Foot Pedal on Frame	<input type="checkbox"/>	<input type="checkbox"/>	<input type="checkbox"/>
3 - Hand Control	<input type="checkbox"/>	<input type="checkbox"/>	<input type="checkbox"/>
POSITION CODE 6 Footplates			
1 - BA611 Single Footplate	<input checked="" type="checkbox"/>	<input checked="" type="checkbox"/>	<input checked="" type="checkbox"/>
2 - BA612 Independent Footplates	<input type="checkbox"/>	<input type="checkbox"/>	<input type="checkbox"/>
Accessories			
BA401 Flat Backrest Section	<input type="checkbox"/>	<input type="checkbox"/>	<input type="checkbox"/>
BA402 Tilt Backrest Section	<input type="checkbox"/>	<input type="checkbox"/>	<input type="checkbox"/>
BA403 Flat Backrest Section with Breath Hole	<input type="checkbox"/>	<input type="checkbox"/>	<input type="checkbox"/>
BA404 Tilt Backrest Section with Breath Hole	<input type="checkbox"/>	<input type="checkbox"/>	<input type="checkbox"/>
BA405 Chest Support	<input type="checkbox"/>	<input type="checkbox"/>	<input type="checkbox"/>
BA406 Arm Support	<input type="checkbox"/>	<input type="checkbox"/>	<input type="checkbox"/>
BA001 Basic Strap	<input type="checkbox"/>	<input type="checkbox"/>	<input type="checkbox"/>
BA002 Padded Cushion for Strap	<input type="checkbox"/>	<input type="checkbox"/>	<input type="checkbox"/>
BA003 Padded Body Strap	<input type="checkbox"/>	<input type="checkbox"/>	<input type="checkbox"/>
BA004 Padded Knee Strap	<input type="checkbox"/>	<input type="checkbox"/>	<input type="checkbox"/>
BA005 Padded Leg Strap	<input type="checkbox"/>	<input type="checkbox"/>	<input type="checkbox"/>
BA101 Cervical Cushion	<input type="checkbox"/>	<input type="checkbox"/>	<input type="checkbox"/>
BA102 Central Guide Kit	<input type="checkbox"/>	<input type="checkbox"/>	<input type="checkbox"/>
BA103 Abduction Block	<input type="checkbox"/>	<input type="checkbox"/>	<input type="checkbox"/>
BA104 Breath-hole Plug	<input type="checkbox"/>	<input type="checkbox"/>	<input type="checkbox"/>
BA608 General Fixing Devices	<input type="checkbox"/>	<input type="checkbox"/>	<input type="checkbox"/>
BA201 Round Lateral Support	<input type="checkbox"/>	<input type="checkbox"/>	<input type="checkbox"/>
BA202 Lateral Support Padding	<input type="checkbox"/>	<input type="checkbox"/>	<input type="checkbox"/>
BA203 Forearm Supports	<input type="checkbox"/>	<input type="checkbox"/>	<input type="checkbox"/>
BA204 Hand Grips	<input type="checkbox"/>	<input type="checkbox"/>	<input type="checkbox"/>
BA501 Sandals	<input type="checkbox"/>	<input type="checkbox"/>	<input type="checkbox"/>
BA301 Service Tray	<input type="checkbox"/>	<input type="checkbox"/>	<input type="checkbox"/>
BA609 Foot Pedal Holder	<input type="checkbox"/>	<input type="checkbox"/>	<input type="checkbox"/>
BA607 Tilt Indicator in Degrees	<input type="checkbox"/>	<input type="checkbox"/>	<input type="checkbox"/>



Absolute Electric Chiropractic Manipulation Table

Absolute is a patented treatment table engineered to meet the rigorous demands of modern manual therapy. Equipped with dual lifting and tilting motors, it ensures smooth and effortless adjustments that enhance therapist efficiency. Designed to support chiropractors, physical therapists, osteopaths, and sports treatment professionals, the table combines dynamic 3D motion, advanced manual flexion-distraction movement, axial rotation, and traction functions to deliver superior versatility and clinical performance.

Key Features



Dynamic 3D Treatment Motion



Superior Spine&Joint Mobilization



Motorized Height&Tilt Adjustments

Absolute Electric Chiropractic Manipulation Table



Functions

Flexion

- Headpiece lateral manual flexion: $\pm 18^\circ$
- Thorax section lateral manual flexion: $\pm 18^\circ$
- Pneumatically thorax section vertical flexion: $-18^\circ \sim 0^\circ$
- Pneumatically assisted lumbar vertical flexion $-35^\circ \sim +15^\circ$
- Lumbar lateral manual flexion: $\pm 18^\circ$

Rotation

- Axial rotation at any position: $\pm 23^\circ$

Traction

- Manual lumbar traction 3.2"/8cm
- Manual cervical traction 2.5"/6.5cm

Dropping

- Straight Cervical spine drop
- Lumbar traction drop

Adjustment

- Powerlift table height adjustable: 24"~48"/60~121cm
- Electrical tilt up/down: $-12^\circ \sim +52^\circ$
- Double built-in foot bar for height&tilt adjustment
- Pneumatically assisted tilting headrest: $-40^\circ \sim +27^\circ$
- Pneumatically assisted elevating headrest: $0^\circ \sim +40^\circ$
- Height-adjustable & Rotatable Armrests
- Rotating Foot Support Extended

Specifications

- Maximum Working Load: 440 lbs/200 kg
- Lifting Capacity: 440 bs/200 kg
- Table Length: 76"/194 cm
- Table Width: 23.6"/60 cm
- Height Range: 24"~48"/60~121cm
- Net Weight: 384 lbs/ 174 kg

Absolute Electric Chiropractic Manipulation Table

Dimensioned Diagram



Absolute Electric Chiropractic Manipulation Table

Dimensioned Diagram





Prime Electric 3D Flexion Distraction Osteopathy Table

The Prime Chiropractic Table is a precision-engineered manual therapy platform designed for spinal manipulation, lumbar traction, and 3D flexion-distraction therapy. Its single-column PowerLift structure ensures superior stability, while the adjustable sections enable practitioners to perform decompression, mobilization, and soft-tissue techniques with accuracy and ease.

Built for chiropractors, osteopaths, and physiotherapists, Prime offers smooth movement in multiple axes — ideal for restoring alignment, improving joint function, and relieving muscle tension through dynamic positioning.

Key Features



Dynamic Axial Traction



Superior Spine&Joint Mobilization



Dynamic 3D Treatment Motion

Prime Electric 3D Flexion Distraction Osteopathy Table



Functions

Flexion

- Headpiece lateral manual flexion: $\pm 18^\circ$
- Thorax section lateral manual flexion: $\pm 18^\circ$
- Pneumatically thorax section vertical flexion: $-18^\circ \sim 0^\circ$
- Pneumatically assisted lumbar vertical flexion $-35^\circ \sim +15^\circ$
- Lumbar lateral manual flexion: $\pm 18^\circ$

Rotation

- Axial rotation at any position: $\pm 23^\circ$

Traction

- Manual lumbar traction 3.2"/8cm
- Manual cervical traction 2.5"/6.5cm

Dropping

- Straight Cervical spine drop
- Lumbar traction drop

Adjustment

- Powerlift table height adjustable: 25.6"~32.7"/65~83cm
- Electrical tilt down: $-12^\circ \sim 0^\circ$
- Double foot pedal for height & tilt adjustment
- Pneumatically assisted tilting headrest: $-40^\circ \sim +27^\circ$
- Pneumatically assisted elevating headrest: $0^\circ \sim +40^\circ$
- Height-adjustable & Rotatable Armrests
- Rotating Foot Support Extender

Specifications

- Maximum Working Load: 440 lbs/200 kg
- Lifting Capacity: 440 lbs/200 kg
- Table Length: 76"/194 cm
- Table Width: 23.6"/60 cm
- Height Range: 25.6"~32.7"/65~83cm
- Net Weight: 362 lbs/ 164 kg

Prime Electric 3D Flexion Distraction Osteopathy Table

Dimensioned Diagram



Prime Electric 3D Flexion Distraction Osteopathy Table

Dimensioned Diagram



HERRINGTON ELECTRIC CHIROPRACTIC TABLE

Model:480



Herrington Electric Chiropractic Table



Specification

- Length: 76"/194cm
- Width: 23.6"/60cm
- Height: 59cm-106cm/23"-41.7"
- Weight: 118kg / 260 lbs
- Lifting Capacity: 440lbs/ 200kg
- Working Weight: 600lbs/272kg



Functions

Flexion

- Manual lumbar lateral flexion $\pm 18^\circ$
- Pneumatically assisted manual lumbar vertical flexion $-40^\circ \sim +22^\circ$
- Pneumatically assisted manual cervical vertical flexion $-40^\circ \sim +30^\circ$

Traction

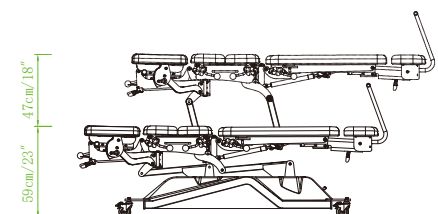
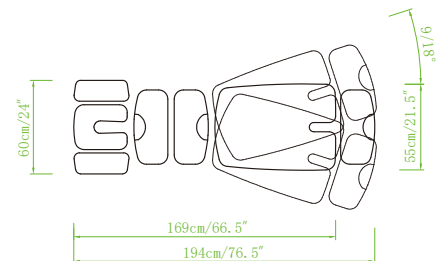
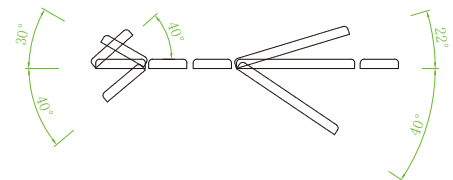
- Manual lumbar traction 3.2"/8cm
- Manual cervical traction 2.5"/6.5cm

Dropping

- Cervical straight drop with adjustable tension
- Thoracic angle drop with adjustable tension
- Pelvic angle drop with adjustable tension
- Lumbar angle drop with adjustable tension

Adjustment

- Powerlift table height adjustable 23"/59cm~41.7"/106cm
- Foot Pedal for table height adjustment
- Lockable transportation medical grade wheels
- Flippable headpiece $0^\circ - 30^\circ$
- Tilting adjustable Headpiece $-40^\circ \sim 30^\circ$
- Height-adjustable & Rotatable Armrests
- Rotating Foot Support Extender
- Removable control handle



Herrington Electric Chiropractic Table

Dimensioned Diagram



FAIRWORTH CHIROPRACTIC TABLE



Main features

The Fairworth chiropractic table is a very practical manual chiropractic table with flexion, traction and drop functions. In particular, its vertical and lateral lumbar flexion function is very practical for chiropractors. It is equipped with basic head, thoracic, lumbar and pelvic drop mechanism, and the cervical and lumbar traction guide rail. Its heavy duty frame, Stand-by Castor System, Walk-Free Control System, and Rotating Foot Support Extender all mark Fairworth's ability to become the best chiropractic table in the world.

The great Fairworth chiropractic table---the most versatile chiropractic and treatment table in the world.

Fairworth Electric Chiropractic Table Series



Model:380

Specification

- Maximum Working Load: 440 lbs / 200 kg
- Lifting Capacity: 440 lbs / 200 kg
- Table Length: 76" / 194 cm
- Table Width: 22" / 56 cm
- Height Range: 22.8" / 58 cm – 41" / 104 cm
- Net Weight: 285 lbs / 130 kg

Standard Features

Flexion

- Manual lumbar lateral flexion $\pm 18^\circ$
- Pneumatically assisted manual lumbar vertical flexion $-40^\circ \sim 20^\circ$
- Pneumatically assisted manual cervical vertical flexion $-40^\circ \sim 30^\circ$

Traction

- Manual lumbar traction 3.2"/8cm
- Manual cervical traction 2.5"/6.5cm

Dropping

- Cervical straight drop with adjustable tension
- Thoracic angle drop with adjustable tension
- Pelvic angle drop with adjustable tension
- Lumbar angle drop with adjustable tension

Adjustment

- Powerlift table height adjustable 22.8"/58cm~41"/104cm
- Walk-Free Foot Control Bar for table height adjustment
- Easy-release transportation medical grade wheels
- Flippable headpiece $0^\circ \sim 30^\circ$
- Tilting adjustable Headpiece $-40^\circ \sim 30^\circ$
- Height-adjustable & Rotatable Armrests
- Rotating Foot Support Extender
- Removable control handle



Model:381

Master of Chiropractic Setting



Powerlift Height Adjustment

Adjust your table to the ideal height with the tap of a footswitch. The table has an elevation range of 22.8"-41"/58-104cm, is rated to 200 kg. (440 lbs.)



Flippable Headpiece

The headpiece upper layer can flip up 0°-30° in reverse direction, supported by pneumatic pump.



Tilting Adjustable Headpiece

The Fairworth features a -40°~30° comfortable and easily pneumatic adjustable tilting headpiece.



Straight Cervical Drop with Adjustable Tension

Our headpiece features a crisp and clean drop mechanism and an adjustable tension knob.



Manual Headpiece Traction

The Headpiece traction perfectly mobilize and tract the neck, cervical and spine to reach the goal of full relaxation.



Height-Adjustable & Rotatable Armrests

The front armrests can be height-adjusted within a range of 0-20 cm and rotated outward up to 180° to facilitate arm treatments.



Straight Thoracic Drop with Adjustable Tension

The Fairworth features a thoracic drop mechanism and an adjustable tension knob.



Straight Lumbar Drop with Adjustable Tension

The Fairworth features a lumbar drop mechanism and an adjustable tension knob.



Tension Adjustable Pelvic Drop

The Fairworth features a pelvic drop mechanism and an adjustable tension knob.



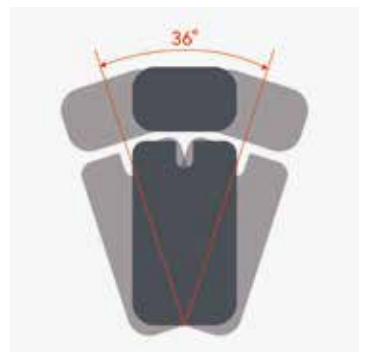
Manual Lumbar Traction

Manual lumbar traction mechanism with built-in guide rail provides smooth traction feeling.



Manual Lumbar Vertical Flexion

The smooth vertical flexion range is -40°~20°. The pneumatic supporting pump can be locked at any position while flexed.



Manual Lumbar Lateral Flexion

The lateral flexion range is 18° to either side of midline. It can be locked when not needed.

Master of Chiropractic Setting



Flippable Foot Plate



Rotating Foot Support Extender

Foot Support Extender adds an additional 8 inches. It can be used with Flippable Foot Plate to fix the ankle of patients.



Removable Flexion Control Handle

The removable flexion control handle will be equipped on Fairworth-360 and Fairworth-380 which have the flexion mechanism.

Meaning of Product Code

Fairworth product code consists of three model codes, four option codes. The four option codes for Fairworth table depend on the configuration of various options available. Each position in the code has a specific meaning, and corresponds to one or more characteristics of the table. Our standard model of Fairworth itself does not contain Walk-free Control System, Stand-by Castor System, Electrical Safety Lock and body Straps, all optional parts need to be purchased separately. All standard models adopt front armrests, powerlift height adjustment, self-skin sponge system.

POSITION CODE 1~3

Product Standard Model

POSITION CODE 4

Control System

- A - Single Pedal
- B - Hand Control
- C - Walk-free Controller
- D - Walk-free Controller + Hand Control

POSITION CODE 5

Stand-by Castor System

- 1 - With Stand-by Castor System
- 0 - Without Stand-by Castor System

POSITION CODE 6

Safety Lock System

- 1 - With Electrical Safety Lock
- 0 - Without Electrical Lock System

POSITION CODE 7

Body Straps

- 1 - With 2 Body Straps
- 0 - Without Body Strap

Model: 3 8 0 - C 1 1 1

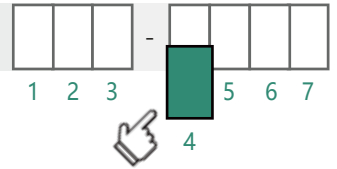
Code Position: 1 2 3 - 4 5 6 7

Model Codes

Option Codes



POSITION 4



Control System

We provide a variety of motor control options, all controllers must be installed in advance by original factory. Please indicate when ordering.



A Single Pedal

Standard Controller of Fairworth table. It is used to raise or lower the height of the table.



B Hand Control

2 Button Hand Control is used for adjusting the height of the table. It is applicable for all Fairworth models.



C Walk-Free Control System

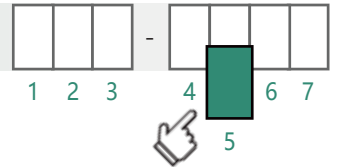
Walk-Free Control makes height adjustment easily from all the way around the bed. It is applicable to all Fairworth Models.



D Walk-Free Control + Hand Control

Walk-Free Control is for adjusting the table's height. 2 Button Hand Control is for raising/lowering the height of the table. It is applicable for all models.

POSITION 5



Stand-by Castor System

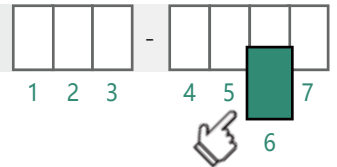


The lift able Stand-by Castor System adopts the medical castors and the connecting rod operating system. The four castors can be released and retracted synchronously by foot pedal control. The bed can be moved easily when wheels are released, and the stability of the bed will be increased when the castors are folded up. Castor system must be installed by the original factory. Users are not allowed to install the castor system without permission to avoid accidental injury.

1 With Stand-by Castor System

0 Without Stand-by Castor System

POSITION 6



Safety Lock System

The safety lock adopts the traditional mechanical lock, which is safe and reliable. It is used to completely cut off the power supply of the motor and effectively avoid the operation and accidents of irrelevant personnel.

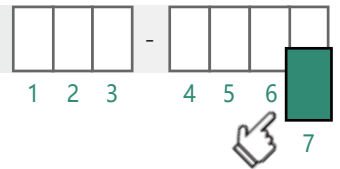


1 With Electrical Safety Lock

According to the European law, the electric lifting bed must be equipped with safety devices to avoid accidental injury caused by the operation of children or non-designated personnel. Each lockset is equipped with two keys.

0 Without Electrical Lock System

POSITION 7



Body Straps



1 With 2 x Body Straps

To provide better restraint for patients, fixed by velcro, there are guide rails on both sides of the table frame, which can fix the straps at the required position.

0 Without Electrical Lock System

Standard Model



Fairworth-300

Fairworth-300 is a powerlift height adjustable bed with straight lumbar drop, pelvic drop, headpiece drop, thoracic drop mechanisms and all drop mechanisms are tension adjustable by adjusting knobs. The standard model includes the front arms, foot support extender and tilting headpiece. The manual traction, the vertical and lateral flexion mechanisms and flexion control handle are not included.



Video

Standard Features:

- Heavy duty metal frame
- High-density Polyurethane Molded Sponge with PVC Vinyl
- Powerlift table height adjustable
- Tilting adjustable and flappable Headpiece.
- Headpiece straight drop with adjustable tension
- Thoracic straight drop with Adjustable Tension
- Pelvic straightdrop with Adjustable Tension
- Lumbarstraight drop with Adjustable Tension
- Rotating Foot Support Extender

Specification:

- Working Weight: 440lbs/200kg
- Table Length: 76"/194cm
- Width: 22"/56cm
- Height range: 22.8"/58cm~41"/104cm
- Weight: 252lbs/115kg

Fairworth-360

Fairworth-360 is a powerlift height adjustable flexion and traction table, equipped with manual lumbar vertical and lateral flexion mechanism, manual lumbar traction mechanism and manual head traction mechanism. The standard model includes the removable flexion control handle, front arms, foot support extender and tilting headpiece. The lumbar drop, pelvic drop, headpiece drop, thoracic drop are not included.



Standard Features:

- Manual lumbar vertical flexion
- Manual lumbar lateral flexion
- Manual lumbar traction
- Manual headpiece traction
- Rotating Foot Support Extender
- Heavy duty metal frame
- High-density Polyurethane Molded Sponge with PVC Vinyl
- Powerlift table height adjustable
- Tilting adjustable and flappable Headpiece

Specification:

- Working Weight: 440lbs/200kg
- Table Length: 76"/194cm
- Width: 22"/56cm
- Height range: 22.8"/58cm~41"/104cm
- Weight: 252lbs/115kg

Fairworth-380

Fairworth-380 is a full-function powerlift height adjustable flexion, traction and drop table, equipped with manual lumbar vertical and lateral flexion mechanism, manual lumbar traction mechanism, manual head traction mechanism and straight lumbar, pelvic, headpiece, thoracic drop mechanisms. The standard model includes the removable flexion control handle, front arms, foot support extender and tilting headpiece.



Standard Features:



- Heavy duty metal frame
- High-density Polyurethane Molded Sponge with PVC Vinyl
- Powerlift table height adjustable
- Tilting adjustable and flappable Headpiece.
- Manual lumbar vertical flexion
- Manual lumbar lateral flexion
- Manual lumbar traction
- Manual headpiece traction
- Headpiece straight drop with adjustable tension
- Lumbar straight drop with Adjustable Tension
- Pelvic straight drop with Adjustable Tension
- Lumbar straight drop with Adjustable Tension
- Rotating Foot Support Extender

Specification:

- Working Weight: 440lbs/200kg
- Table Length: 76"/194cm
- Width: 22"/56cm
- Height range: 22.8"/58cm~41"/104cm
- Weight: 285lbs/130kg

Determine Product Code

Basic Configuration
 Optional Configuration
 Unavailable

Product code	300	360	380
Image			
- Length	68.89"/175cm		
- Width	22.04"/56cm		
- Weight	286.6lbs/130kg		
- Height	22.8"/58cm~41"/104cm		
- Working Load	440.92lbs/200kg		
Powerlift Table Height Adjustment	<input checked="" type="checkbox"/>	<input checked="" type="checkbox"/>	<input checked="" type="checkbox"/>
Flippable Pneumatic Headpiece	<input checked="" type="checkbox"/>	<input checked="" type="checkbox"/>	<input checked="" type="checkbox"/>
Pneumatic Tilting Headrest	<input checked="" type="checkbox"/>	<input checked="" type="checkbox"/>	<input checked="" type="checkbox"/>
Manual Lumbar Vertical Flexion	<input checked="" type="checkbox"/>	<input checked="" type="checkbox"/>	<input checked="" type="checkbox"/>
Manual Lumbar Lateral Flexion	<input checked="" type="checkbox"/>	<input checked="" type="checkbox"/>	<input checked="" type="checkbox"/>
Lumbar Traction	<input checked="" type="checkbox"/>	<input checked="" type="checkbox"/>	<input checked="" type="checkbox"/>
Headrest Traction	<input checked="" type="checkbox"/>	<input checked="" type="checkbox"/>	<input checked="" type="checkbox"/>
Removable Flexion Control Handle	<input checked="" type="checkbox"/>	<input checked="" type="checkbox"/>	<input checked="" type="checkbox"/>
Straight Cervical Drop	<input checked="" type="checkbox"/>	<input checked="" type="checkbox"/>	<input checked="" type="checkbox"/>
Straight Thoracic Drop	<input checked="" type="checkbox"/>	<input checked="" type="checkbox"/>	<input checked="" type="checkbox"/>
Straight Lumbar Drop	<input checked="" type="checkbox"/>	<input checked="" type="checkbox"/>	<input checked="" type="checkbox"/>
Straight Pelvic Drop	<input checked="" type="checkbox"/>	<input checked="" type="checkbox"/>	<input checked="" type="checkbox"/>
Position Code 4 Control System			
A - Single Pedal	<input type="checkbox"/>	<input type="checkbox"/>	<input type="checkbox"/>
B - Hand Control	<input type="checkbox"/>	<input type="checkbox"/>	<input type="checkbox"/>
C - Walk free control	<input checked="" type="checkbox"/>	<input checked="" type="checkbox"/>	<input checked="" type="checkbox"/>
Position Code 5 Standby Castor System			
1 - With Standby Castor System	<input type="checkbox"/>	<input type="checkbox"/>	<input type="checkbox"/>
Position Code 6 Safety Lock System			
1 - With Safety Lock System	<input type="checkbox"/>	<input type="checkbox"/>	<input type="checkbox"/>
Position Code 7 Body Straps			
1 - With Body Straps	<input type="checkbox"/>	<input type="checkbox"/>	<input type="checkbox"/>

Fairworth-300



300-A010



300-A110



300-C110

Fairworth-360



360-A011



360-A111



360-C111

Fairworth-380



380-A011



380-A111



380-C111

Fairworth-301



301-A010



301-A110



301-C110

Fairworth-361



361-A011



361-A111



361-C111

Fairworth-381



381-A011



381-A111



381-C111



Arena Series

The MT Areana Series includes portable fixed height tables, portable adjustable height tables and portable drop tables. MT Areana table is an excellent choice for Physical Therapists, Chiropractors, Massage Therapists, and Body Workers in general. Lightweight, and with all the professional options, the Arena is strong, stable, easy to transport and set up also this table provides a viable alternative to massive stationary predecessors.

Key Features



Two piece divided head cushion for secured, yet comfortable patients



Toggle pelvic drop and toggle thoracic drop Adjustable tension and easy control levers



In a folded state the Arena is easily transported or stored



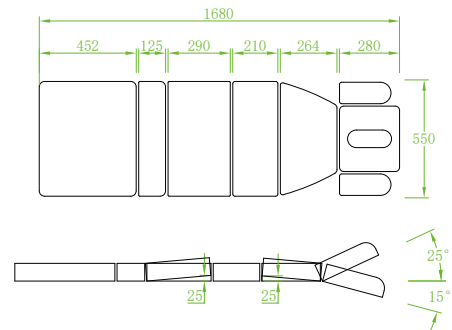
Arena 120

Specifications:

- Max weight capacity: 450lbs/204kg
- Full length: 66"/168cm (including headpiece)
- Width: 21.5"/55cm
- Height: 19.7"/50cm
- Net Weight: 49lbs/22kg
- Shipping Dimension: 37"/94cmx25.5"/65cmx10"/22.5cm

Standard Features:

- 5 Year limited warranty
- Fitted height
- Folding leg construction
- Manually adjustable headpiece
- Self-adjusting lowered arms
- Paper roll holder and cutter
- 2"/5cm thick multi-layered firm foam system
- Straight pelvic drop and straight thoracic drop
- Adjustable drop tension
- Easy control levers
- Full length piano hinge for extra strength and stability
- Firm yet lightweight aluminum leg frame
- Super durable standard PVC upholstery
- Carrying case included



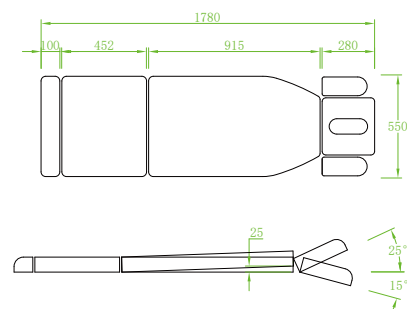
Arena 160

Specifications:

- Max weight capacity: 450lbs/204kg
- Full length: 70"/178cm (including headpiece)
- Width: 21.5"/55cm
- Height: 18.5"/47cm-22.4"/57cm
- Net Weight: 37.8lbs/17.2kg
- Shipping Dimension: 37"/94cmx25.5"/65cmx10"/22.5cm

Standard Features:

- 5 Year limited warranty
- Fitted height
- Folding leg construction
- Manually adjustable headpiece
- Self-adjusting lowered arms
- Paper roll holder and cutter
- 2"/5cm thick multi-layered firm foam system
- Full length piano hinge for extra strength and stability
- Firm yet lightweight aluminum leg frame
- Super durable standard PVC upholstery
- Carrying case included.



Arena Series



Video

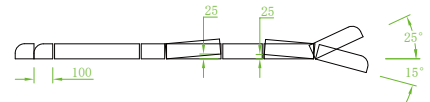
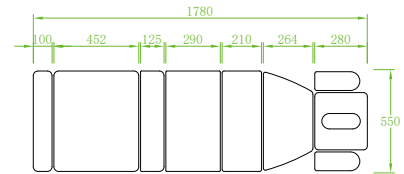
Arena 180

Specifications:

- Max weight capacity: 450lbs/204kg
- Full length: 70"/178cm (including headpiece)
- Width: 21.5"/55cm
- Height: 18.5"/47cm-26"/66cm
- Net Weight: 50lbs/22.7kg
- Shipping Dimension: 37"/94cmx25.5"/65cmx10"/22.5cm

Standard Features:

- Easy Push-button height adjustment
- Folding leg construction
- Manually adjustable headpiece
- Self-adjusting lowered arms
- Paper roll holder and cutter
- 2"/5cm thick multi-layered firm foam system
- Straight pelvic drop and straight thoracic drop
- Adjustable drop tension
- Easy control levers
- Full length piano hinge for extra strength and stability
- Firm yet lightweight aluminum leg frame
- Super durable standard PVC upholstery
- Carrying case included.





Iron Series

The MT Iron Series chiropractic bench has an impressive list of standard features: Manual height adjustments from 18"/46cm to 24"/61cm, tilting and elevation headpiece with adjustable face cushions, paper roll holder and cutter, break-away abdominal with elevating pelvic, accelerator pelvic drop, toggle thoracic drop, toggle cervical drop, unitized steel frame, seamless cushions and much more!

Iron Series (专利产品 仿冒必究)



Key Features:

- Accelerator pelvic drop
- Toggle thoracic drop
- Toggle cervical drop
- Break away Abdominal with elevating pelvic
- Tilt and elevation headpiece and adjustable face cushions
- Paper roll/holder and cutter
- Ankle extension
- Powder coated steel frame (black only)
- Stationary arm rests
- 2.5"/6.35cm multi-layered firm foam
- Manual height adjustments from 17.5"/44.5cm to 24.5"/62.5cm

Iron 280

Specifications:

- Length: 68.5"/174cm
- Width: 22"/56cm
- Height range: 17.5"/44.5cm~24.5"/62.5cm
- Net weight: 148.5lbs/67.5kg
- Shipping weight: 106.6lbs/73kg
- Shipping Dimensions: 75"/190cmx30"/75cmx23"/59cm



Toggle cervical drop



Toggle thoracic drop



Accelerator pelvic drop



Adjustable Face Cushions



Paper roll holder and cutter



Tilting and elevation headpiece



Manually height adjustment



Adjustable Ankle Extension



Break-away Abdominal with elevating pelvic

The MT Iron Series includes portable fixed height tables, portable adjustable height tables and portable drop tables. MT Iron table is an excellent choice for Physical Therapists, Chiropractors, Massage Therapists, and Body Workers in general. Lightweight, and with all the professional options, the Iron is strong, stable, easy to transport and set up also this table provides a viable alternative to massive stationary predecessors.



Iron 200

Key Features:

- Heavy duty steel frame (black only)
- Stationary arm rests
- Optional Soft foam or Firm foam of 3"/7.5cm
- Manual height adjustments from 17.5"/44.5cm to 24.5"/62.5cm

Key Features:

- Length: 71.7"/182cm
- Width: 22"/56cm
- Height range: 17.5"/44.5cm~24.5"/62.5cm manual adjustable
- Net weight: 89.5lbs/40.6kg
- Shipping Weight: 101lbs/46kg
- Shipping Dimensions: 75"/190cmx30"/75cmx13"/34cm



Iron 220

Key Features:

- Tilted Pneumatic headpiece
- Paper roll holder and cutter
- Ankle Extension
- Powder coated steel frame (black only)
- Stationary arm rests
- 2.5"/6.35cm multi-layered firm foam
- Manual height adjustments from 17.5"/44.5cm to 24.5"/62.5cm

Specifications:

- Length: 71.7"/182cm
- Width: 22"/56cm
- Height range: 17.5"/44.5cm~24.5"/62.5cm
- Net weight: 96lbs/43.5kg
- Shipping Weight: 106lbs/48kg
- Shipping Dimensions: 75"/190cmx30"/75cmx13"/34cm



Iron 240

Key Features:

- Accelerator pelvic drop
- Break-away Abdominal
- Tilt headpiece and adjustable face Cushions
- Paper roll holder and cutter
- Ankle extension
- Powder coated steel frame (black only)
- Stationary arm rests
- Optional Soft foam or Firm foam of 3"/7.5cm
- Manual height adjustments from 17.5"/44.5cm to 24.5"/62.5cm

Specifications:

- Length: 68.5"/174cm
- Width: 22"/56cm
- Height range: 17.5"/44.5cm~24.5"/62.5cm manual adjustable
- Net weight: 121lbs/55kg
- Shipping weight: 132lbs/60kg
- Shipping Dimensions: 71"/181cmx30"/75cmx16.5"/42cm



Iron 260

Key Features:

- Accelerator pelvic drop
- Break-away Abdominal with elevating pelvic
- Tilt headpiece and adjustable Face Cushions
- Paper roll holder and cutter
- Ankle Extension
- Powder coated steel frame (black only)
- Stationary arm rests
- Optional Soft foam or Firm foam of 3"/7.5cm
- Manual height adjustments from 17.5"/44.5cm to 24.5"/62.5cm

Specifications:

- Length: 68.5"/174cm
- Width: 22"/56cm
- Height range: 17.5"/44.5cm~24.5"/62.5cm manual adjustable
- Net weight: 127.5lbs/58kg
- Shipping weight: 160lbs/63kg
- Shipping Dimensions: 71"/181cmx30"/75cmx16.5"/42cm

360°extremity portable chiropractic drop piece

Product Code: DP-100



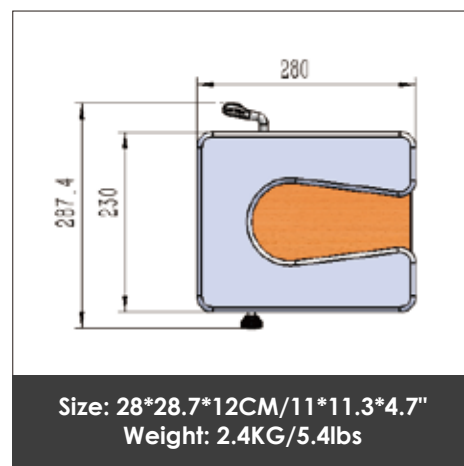
The portable 360° design drop piece is ideal for extremity adjusting, targeting areas such as feet, ankles, knees, shoulders, and wrists. This innovative tool can transform any flat surface into a fully functional treatment area. Its compact size makes it a must-have for chiropractors, massage therapists, body care workers, and students, suitable for use not only in clinics but also at home or in an office setting.



Adjustable for wrists, elbows, ankles, feet, and more.

Cervical Chiropractic Drop Piece

Product Code: DP-200



Specifically designed with a face cushion for upper cervical spine straight drop, equipped with adjusting knobs for tension control. It is suitable for upper cervical spine, limb joints, basic skill training and correction. Gently lift the silver lever, and the chiropractic speeder board starts to open. Easily turn the knob to adjust the pressure intensity, open the pressure plate, press immediately, simple operation.



Portable Lumbar Pelvic Chiropractic Drop

Product Code: DP-300



10/10 recommend for chiropractors! Its portable design allows chiropractors to deliver professional-grade care beyond the confines of the clinic. Perfect for house calls or on-the-go sessions, item powers practitioners to deliver the best care possible wherever it's needed most.



With large surface area and comfort for pelvic & lumbar & extremities adjustments

Starlet-Deluxe

Starlet-Deluxe is the perfect economical blend of beauty and functionality for day spas. Featuring a whisper-quiet yet powerful, UL listed electric lift actuator with on-demand height adjustments, ADA compliant Starlet-Deluxe is designed for exceptional comfort, easy care, and years of trouble-free use.

Model: ESD-FA



Video



Model: ESD-FA



Model: ESD-LA

Specifications

- Lifting Capacity: 450lbs/204kg
- Length: 72.5"/184cm(table top)
Including headrest: 83"/211cm
- Width: 28"/71cm,30"/76cm available
- Height Range: 17.3"/44cm~37"/94cm (ADA compliant)
- Weight Range: 192lbs/88.5kg~200/91kg
- Shipping Weight: 212lbs/97.5kg~220/100kg
- Shipping Dimensions: 74"/188cmx32"/81cmx20.5"/52cm
- Cushion: 3"/7.5cm thick multi-layer Soft-foam system
- Upholstery: Super comfort Skin-touch
luxurious PU upholstery

Key Features:

- 5 Year Limited Warranty
- Heavy duty steel frame
- Electric height adjustment controlled by both hand and foot
- Full electric salon top(hand control) with rounded corner
- Optional armrest(flexible and leveled armrest)
- 3"/7.5cm thick multi-layer Soft-foam system
- Super comfort Skin-touch luxurious PU upholstery
- Both end headrest outlets
- Heavy duty Polypropylene wheels for easy transportation

The Starlet Deluxe features a deluxe 4-section salon table top which has a manually adjustable backrest and leg-rest. The classic doubleknighthead design will offer an anti-shake and anti-slip stability. The 4-section table-top will maximize supply the follow to your clients' body's curves. This ergonomic posture support salon table is upholstered using multi-layer 3"/7.5cm soft foam covered with an easyto-keep-clean and comfortable soft Skin-touch PU leather material for years of durability.

Starlet-Flat

Model: ESF



Specifications

- Lifting Capacity: 450lbs/204kg
- Length: 72.5"/184cm(table top)
Including headrest: 83"/211cm
- Width: 25"/63cm, 27"/67cm,
28"/71cm, 30"/76cm available
- Height Range: 17.3"/44cm~37"/94cm (ADA compliant)
- Weight Range: 143 lbs/65kg~154lbs/70kg
- Shipping Weight: 163 lbs/74kg~174lbs/79kg
- Shipping Dimensions: 74"/188cmx32"/81cmx20.5"/52cm

Accessories:

- Adjustable face cradle, face cushion and lowered armrest.

Starlet-Liftback

Model: ESL1-FA



Model: ESL1-FA



Model: ESL1-LA

Specifications

- Lifting Capacity: 432lbs/196kg
- Length: 72.5"/184cm(table top)
Including headrest: 83"/211cm
- Width: 28"/71cm, 30"/76cm available
- Height Range: 17.3"/44cm~37"/94cm (ADA compliant)
- Weight Range: 172lbs/78kg~178lbs/81kg
- Shipping Weight: 192lbs/87kg~198lbs/90kg
- Shipping Dimensions: 74"/188cmx32"/81cmx20.5"/52cm

Accessories:

- Fully adjustable face cradle, face cushion, patented contoured arm support and an additional rectangular headrest with neck pillow.

Goodwill Flat

The Goodwill Flat is an economical electric massage table which meets the daily needs of beauty salons and massage parlors. Its height is electrically adjustable. The lowest height conforms to the ADA policy of the United States. It is lighter than Starlet and saves transportation costs for sellers.

Product Code: EGF-2



Model:EGC1



Model:EGF1



Model:EGB

Specifications

Working Capacity: 450lbs/205kg
Length: S:71.6"/ 182cm
(83.4"/212cm including headrest)
Width: 28"/71cm, 30"/76cm
Height Range: 17.5"/44cm-37"/94cm
Weight: S28"125lbs /57kg,
S30"132 lbs /60kg

Standard Features

- 5 Year Limited Warranty
- Heavy duty steel frame
- Powerlift height adjustment
- Flat table top with 4-side square edge
- 2.5" /6.35cm multi-layered Soft-foam system
- Skin-touch luxurious PU upholstery
- Headrest outlets on both-ends
- Safety Lock System
- Optional Walk-free control system.



Decorative Cover

On one side of Goodwill's metal frame, a decorative cover is installed to make Goodwill a tougher muscular feel.



Walk-Free Control System

Walk-Free Control makes height adjustment easily from all the way around the bed.

Accessories include:

- Standard face cushion, standard adjustable face cradle, armrest shelf.

Athena-Deluxe

This elegantly styled upscale facial bed has multi-layer 3"/7.5cm thick soft foam covered with an easy-to-clean and comfortable soft Skin-touch PU leather material for years of durability. The facial bed features four changeable areas, ensuring complete comfort and support for your client's entire body. The classic anti-shake design and anti-slip stability means every treatment is successful. The removable and flexible side armrests give your client a secure feeling while maximizing comfort.

This stylish facial bed features two interchangeable headrests (a face cut-out pillow and rectangle headrest) that are both fully detachable. The neck pillow can also be used when your client is lying upon the backrest.

A silent operating motor effortlessly raises and lowers the Athena-Deluxe, whilst the four lockable casters provide both mobility and stability as required. This is truly a very versatile and comfortable table and is ideal for facials, skin care, massage, waxing, tattooing, or body piercing.

Model: EAD-FA



Specifications

- Weight Capacity: 420lbs/191kgs
- Length: 72.5"/184cm(table top)
Including headrest: 83"/211cm
- Width: 25"/63cm, 27"/67cm,
28"/71cm, 30"/76cm available
- Weight Range: 25": 133lbs/60.5kg,
27": 144lbs/65.5kg,
28": 150lbs/68.5kg,
30": 160lbs/72.5kg
- Height Range: 20.8"/53cm-39"/99cm

Standard Features

- 5 Year Limited Warranty
- Easy to use foot pedal
- Heavy-duty steel frame
- Headrest outlets on both-ends
- Smooth, reliable electric lift operator
- Easy controls powerlift height adjustment
- Manual adjustment backrest and leg-rest
- Lockable wheels for ease transportation.
- Adjustable feet for stability on uneven flooring
- Comfortable, removable & flexible side armrests
- 3"/7.5cm thick multi-layer Soft foam system
- Super comfort Skin-touch luxurious PU upholstery



Adjustable back and knee rests which ensure 100% comfort for your clients, o

Accessories:

- An ultra soft deluxe face cushion
- A standard adjustable aluminum face cradle
- A fully adjustable lowered arm-support
- Removable flexible side armrests
- A neck pillow
- An additional rectangle headrest

Athena-Flat

(专利产品 仿冒必究)

Product Code: EAF



Adjustable feet can be attached to ensure 100% stability on uneven flooring.

Specifications

- Weight Capacity: 450lbs/204kgs
- Length: 72.5"/184cm(table top)
Including headrest: 83"/211cm
- Width: 25"/63cm, 27"/67cm, 28"/71cm, 30"/76cm available
- Height Range: 20.8"/53cm-39"/99cm
- Weight Range: 106lbs/48kg~132lbs/60kg
- Shipping Weight: 126lbs/57kg~152lbs/69kg
- Shipping Dimensions: 73"/185cmx31"/78cmx22"/57cm

Key Features:

- 5 Year Limited Warranty
- Heavy duty steel frame
- Smooth, reliable electric lift operator
- Easy control electrical height adjustment
- Lockable wheels for easy transportation and stationary
- Additional feet are adjustable for stability on uneven flooring
- 3"/7.5cm thick multi-layer Soft foam system
- Super comfort Skin-touch luxurious PU upholstery
- Easy to use foot pedal
- Headrest outlets on both ends

Accessories:

- Ultra soft deluxe face cushion
- Standard adjustable aluminum face cradle
- Fully adjustable lowered arm-support

Athena-Liftback

(专利产品 仿冒必究)

Product Code: EAL



The single column provides a smooth and quiet height adjustment by a troublefree use foot pedal.



Removable side arms offer full table access while the removable armrests ensure comfort for all clients.

Specifications

- Weight Capacity: 425lbs/194kg
- Length: 72.5"/184cm(table top)
Including headrest: 83"/211cm
- Width: 28"/71cm, 30"/76cm available
- Height Range: 20.8"/53cm-39"/99cm
- Weight Range: 145lbs/66kg~154lbs/70kg
- Shipping Weight: 165lbs/75kg~174lbs/79kg
- Shipping Dimensions: 73"/185cmx31"/78cmx22"/57cm

Standard Features:

- 5 Year Limited Warranty
- Heavy duty steel frame
- Smooth, reliable electric lift operator
- Easy control electrical height adjustment
- Lockable wheels for ease transportation.
- Additional feet are adjustable for stability on uneven flooring
- Extremely comfortable, removable & flexible side armrests
- 3"/7.5cm thick multi-layer Soft-foam system
- Super comfort Skin-touch luxurious PU upholstery
- Easy to use foot pedal
- Headrest outlets on both-ends
- Manual adjustment backrest

Accessories:

- An ultra soft deluxe face cushion
- A standard adjustable aluminum face cradle
- A fully adjustable lowered arm-support
- Removable flexible side armrests
- A neck pillow
- An additional rectangle headrest

Standard Model



Camino Flat

The Camino massage table meets the concerns and needs of serious massage therapists and high-end spa club owners, who want to provide their customers the best in comfort, support and upscale atmosphere.

The Camino massage table is built on the Camino medical table frame, which gives users safety and confidence. Camino massage table features powerlift height lifting, pneumatic backrest, pneumatic leg-rest adjustment optional Safety Lock and Walk-Free Control System.

Product Code: ECF



Specifications

Lifting Capacity:	440lbs/ 200kg
Working Weight:	600lbs/272kg
Length:	72.5"/184cm (83.5"/212cm including headrest)
Width:	26"/66cm, 28"/71cm, 30"/76cm, 32"/81cm
Height:	20"/51cm~38"/97cm
Product Weight:	159lbs/72kg

Standard Features

- 5 Year Limited Warranty
- Heavy duty steel frame
- Powerlift height adjustment
- 3" /7.6cm multi-layered Soft-foam system
- Skin-touch luxurious PU upholstery
- Headrest outlets on both-ends
- Optional Walk-free control system
- Optional Safety Lock System

Accessories include:

- face cushion, adjustable face cradle, armrest shelf.

Standard Model



Camino-Liftback

Product Code: ECL



Specifications

Lifting Capacity:	440lbs/ 200kg
Working Weight:	600lbs/272kg
Length:	72.5"/184cm (83.5"/212cm including headrest)
Width:	26"/66cm, 28"/71cm, 30"/76cm, 32"/81cm
Height:	20"/51cm~38"/97cm
Product Weight:	167lbs/76kg

Standard Features

- 5 Year Limited Warranty
- Heavy duty steel frame
- Powerlift height adjustment
- Pneumatic adjustable backrest
- 3" /7.6cm multi-layered Soft-foam system
- Skin-touch luxurious PU upholstery
- Headrest outlets on both-ends
- Optional Walk-free control system
- Optional Safety Lock System

Accessories include:

- face cushion, adjustable face cradle, armrest shelf.

Camino Deluxe

CMD is a high-end electric SPA massage bed. The 4-section adjustable mattress can provide users with a zero-gravity comfortable sitting position. The table mattress adjustment ability can meet the treatment needs of different supine or prone directions.

Product Code: ECD



Video



Specifications

Lifting Capacity: 440lbs/ 200kg
 Working Weight: 600lbs/272kg
 Length: 72.5"/184cm (83.5"/212cm including headrest)
 Width: 26"/66cm, 28"/71cm, 30"/76cm, 32"/81cm
 Height: 20"/51cm~38"/97cm
 Product Weight: 172lbs/78kg

Standard Features

- 5 Year Limited Warranty
- Heavy duty steel frame
- Powerlift height adjustment
- Pneumatic adjustable backrest and leg-rest
- 3" /7.6cm multi-layered Soft-foam system
- Skin-touch luxurious PU upholstery
- Headrest outlets on both-ends
- Optional Walk-free control system
- Optional Safety Lock System

Accessories include:

- face cushion, adjustable face cradle, armrest shelf.

Echo Flat

The Echo massage table meets the concerns and needs of serious massage therapists and high-end spa club owners, who want to provide their customers the best in comfort, support and upscale atmosphere. The Echo massage table is built on the Echo medical table frame, which gives users safety and confidence. Echo massage table features powerlift height lifting, pneumatic backrest, pneumatic leg-rest adjustment optional Safety Lock and Walk-Free Control System.

Product Code: EEF



Specifications

Lifting Capacity: 440lbs/ 200kg
 Working Weight: 600lbs/272kg
 Length: 72.5"/184cm
 (83.5"/212cm including headrest)
 Width: 26"/66cm, 28"/71cm, 30"/76cm, 32"/81cm
 Height: 20"/51cm~38"/97cm
 Product Weight: 159lbs/72kg

Standard Features

- 5 Year Limited Warranty
- Heavy duty steel frame
- Powerlift height adjustment
- 3" /7.6cm multi-layered Soft-foam system
- Skin-touch luxurious PU upholstery
- Headrest outlets on both-ends
- Optional Walk-free control system
- Optional Safety Lock System

Accessories include:

- face cushion, adjustable face cradle, armrest shelf.

Standard Model



Echo Flat Pregnant Table

Product Code: EEF



Accessories include:

- face cushion, adjustable face cradle, armrest shelf.

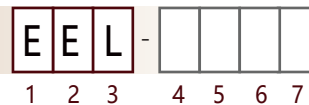
Specifications

Lifting Capacity: 440lbs/ 200kg
Working Weight: 600lbs/272kg
Length: 72.5"/184cm
(83.5"/212cm including headrest)
Width: 26"/66cm, 28"/71cm, 30"/76cm, 32"/81cm
Height: 20"/51cm~38"/97cm
Product Weight: 159lbs/72kg

Standard Features

- 5 Year Limited Warranty
- Heavy duty steel frame
- Powerlift height adjustment
- 3" /7.6cm multi-layered Soft-foam system
- Skin-touch luxurious PU upholstery
- Headrest outlets on both-ends
- Optional Walk-free control system
- Optional Safety Lock System

Standard Model



Echo Liftback

Product Code: EEL



Specifications

Lifting Capacity: 440lbs/ 200kg
Working Weight: 600lbs/272kg
Length: 72.5"/184cm
(83.5"/212cm including headrest)
Width: 26"/66cm, 28"/71cm, 30"/76cm, 32"/81cm
Height: 20"/51cm~38"/97cm
Product Weight: 167lbs/76kg

Standard Features

- 5 Year Limited Warranty
- Heavy duty steel frame
- Powerlift height adjustment
- Pneumatic adjustable backrest
- 3" /7.6cm multi-layered Soft-foam system
- Skin-touch luxurious PU upholstery
- Headrest outlets on both-ends
- Optional Walk-free control system
- Optional Safety Lock System

Accessories include:

- face cushion, adjustable face cradle, armrest shelf.

Echo Deluxe

CMD is a high-end electric SPA massage bed. The 4-section adjustable mattress can provide users with a zero-gravity comfortable sitting position. The table mattress adjustment ability can meet the treatment needs of different supine or prone directions.

Product Code: EED



Specifications

Lifting Capacity: 440lbs/ 200kg
 Working Weight: 600lbs/272kg
 Length: 72.5"/184cm (83.5"/212cm including headrest)
 Width: 26"/66cm, 28"/71cm, 30"/76cm, 32"/81cm
 Height: 20"/51cm~38"/97cm
 Product Weight: 172lbs/78kg

Standard Features

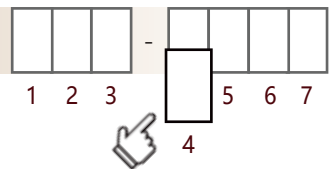
- 5 Year Limited Warranty
- Heavy duty steel frame
- Powerlift height adjustment
- Pneumatic adjustable backrest and leg-rest
- 3" /7.6cm multi-layered Soft-foam system
- Skin-touch luxurious PU upholstering
- Headrest outlets on both-ends
- Optional Walk-free control system
- Optional Safety Lock System

Accessories include:

- face cushion, adjustable face cradle, armrest shelf.

Options of Camino & Echo Massage Tables

POSITION 4



Control System

We provide a variety of motor control options, all controllers must be installed in advance by original factory. Please indicate when ordering.



A Single Pedal

Standard Controller of Camino massage table. It is used to raise or lower the height of the table.



B Hand Control

2 Button Hand Control is used for adjusting the height of the table. It is applicable for all Camino models.



C Walk-Free Control System

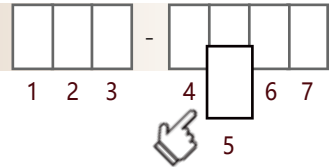
Walk-Free Control makes height adjustment easily from all the way around the bed. It is applicable to all Camino Models.



D Walk-Free Control + Hand Control

Walk-Free Control is for adjusting the table's height. 2 Button Hand Control is for raising/lowering the height of the table. It is applicable for all models.

POSITION 5



Stand-by Castor System

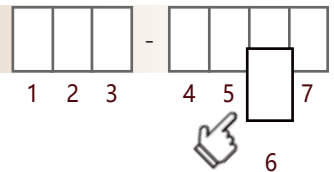


The lift able Stand-by Castor System adopts the medical castors and the connecting rod operating system. The four castors can be released and retracted synchronously by foot pedal control. The bed can be moved easily when wheels are released, and the stability of the bed will be increased when the castors are folded up. Castor system must be installed by the original factory. Users are not allowed to install the castor system without permission to avoid accidental injury

1 With Stand-by Castor System

0 Without Stand-by Castor System

POSITION 6



Safety Lock System

The safety lock adopts the traditional mechanical lock, which is safe and reliable. It is used to completely cut off the power supply of the motor and effectively avoid the operation and accidents of irrelevant personnel.

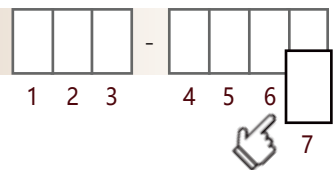


1 With Electrical Safety Lock

According to the European law, the electric lifting bed must be equipped with safety devices to avoid accidental injury caused by the operation of children or non-designated personnel. Each lockset is equipped with two keys.

0 Without Electrical Lock System

POSITION 7



Paper Roll Holder



1 With Paper Roll Holder

The Paper Roll Holder can be installed by users or factory. Maximum allowed width of paper roll is 60cm and maximum allowed diameter of paper roll 18cm, which you can purchase anywhere in the market. Hardware pack for installation is included.

0 Without Paper Roll Holder

Howard-Flat

The Howard Flat is an ideal choice for day spas, nail-spas and resorts. The sleek single pedestal Howard maximizes leg and knee room giving therapists much required client access while maintaining exceptional strength and stability. The reliable electric lift actuator provides smooth and quiet height adjustments with an easy use foot pedal. The Optional wooden décor of Natural maple and Walnut stain provides ultimate luxury.

Model: EHF1



Model: ESD-LA



Model: ESD-FA

Accessories:

Adjustable face cradle, ultra soft face cushion and patented contoured arm support.

Specifications

- Lifting Capacity: 600lbs/272kg
- Length: 72.5"/184cm(table top)
Including headrest:83"/211cm
- Width: 28"/71cm, 30"/76cm available
- Height Range: 25"/63cm~34"/86cm
- Weight Range: 198lbs/90kg~214lbs/97kg
- Shipping Weight: 218lbs/99kg~234lbs/106kg
- Shipping Dimensions: 74"/188cmx32"/81cmx27"/68cm

Key Features:

- 5 Year Limited Warranty
- Heavy duty steel frame
- Single Column Electric height adjustment
- Optional wooden decoration of Natural maple and Walnut
- Flat table top with rounded corners
- 3"/7.5cm thick multi-layer Soft-foam system
- Skin-touch luxurious PU upholstery
- Both end headrest outlets
- Heavy duty lockable casters



With the use of a heavy duty steel frame, four lockable casters. The Howard Deluxe is designed for both stationary and easy transport.



The single column provides a smooth and quiet height adjustment by an easy to use foot pedal.

Howard-Deluxe

(专利产品 仿冒必究)

The Howard Deluxe is more like a simple style modern furniture with fully adjustable electric salon top with 3.5"/9cm foam cushioning creating a Zero Gravity Chair capability. It's an ideal choice for day spas, nail-spas and resorts. The sleek single pedestal Howard maximizes leg and knee room giving therapists much needed client access while maintaining exceptional strength and stability. The reliable electric lift actuator provides smooth and quiet height adjustments with an easy use foot pedal.

Model:EHD3-LA



Video



Key Features:

- 5 Year Limited Warranty
- Heavy duty steel frame
- Single Column Electric height adjustment
- Full electric salon top(hand controlled)
- Optional wooden décor of Natural maple and Walnut
- Optional armrest of flexible armrest and leveled armrest
- 3"/7.5cm thick multi-layer Soft-foam system
- Skin-touch luxurious PU upholstery
- Both end headrest outlets
- Lockable casters designed for both stationary and transportation

Specifications

- Lifting Capacity: 600lbs/272kg
- Length: 72.5"/184cm(table top)
- Including headrest: 83"/211cm
- Width: 28"/71cm, 30"/76cm available
- Height Range: 25"/63cm~34"/86cm
- Weight Range: 233lbs/106kg~245lbs/113kg
- Shipping Weight: 253lbs/115kg~265lbs/122kg
- Shipping Dimensions: 74"/188cmx32"/81cmx27"/68cm



Model:EHD3-LA



Model:EHD3-FA



Model: EHD1-LA



Model: EHD1-FA



The built-in Synchronous actuators offer strong lifting power, safely and securely to elevate patient's weight up to 650 lbs/295kg.



Height adjustment is controlled by both hand and foot.



Super luxurious rounded corner table top features electrical backrest controlled by hand.

Accessories:

Adjustable face cradle, ultra soft face cushion, contoured arm support and rectangular headrest with neck pillow.

Howard-Tilt

The ADA compliant Starlet-Liftback features a strong pneumatic lift-controlled backrest. Lightly pull the switch and the pneumatic pump does all the work in bringing up the backrest. This luxurious table top is upholstered in multi-layer 3"/7.5cm thick soft foam covered with a comfortable and easy-to-clean Softtouch PU leather material for years of durability.

Model: EHT1-LA



Key Features:

- 5 Year Limited Warranty
- Heavy duty steel frame
- Single Column Electric height adjustment
- Full electric salon top(hand controlled) with rounded corners
- Optional wooden décor of Natural maple and Walnut
- Optional armrest of flexible arms and leveled arms
- 3"/7.5cm thick multi-layer Soft-foam system
- Skin-touch luxurious PU upholstery
- Both end headrest outlets
- lockable casters designed for both stationary and transportation

Specifications

- Lifting Capacity: 600lbs/272kg
- Length: 72.5"/184cm(table top)
- Including headrest: 83"/211cm
- Width: 28"/71cm,30"/76cm available
- Height Range: 25"/63cm~34"/86cm
- Weight Range: 210lbs/95kg~227lbs/103kg
- Shipping Weight: 230lbs/104kg~247lbs/112kg
- Shipping Dimensions: 74"/188cmx32"/81cmx27"/68cm



Model: EHT1-LA



Model:EHT3-LA



Model: EHT1-FA



Model:EHT3-FA



Displayed with the self-adjusting leveled armrest. Optional armrest of flexible arms and leveled arms.



The single column provides a smooth and quiet height adjustment by a troublefree use foot pedal.

Accessories:

- Adjustable face cradle, ultra soft face cushion, contoured arm support and an rectangle headrest with neck pillow.

Watt-Flat

The Watt Flat features a double-column actuator system offering unlimited possibilities for the positioning. Therefore, the Watt-flat table can achieve a 25"/64cm~34"/87cm height adjustment and 20° tilt in either direction, providing a smooth, quiet and durable motion for your treatment desires. With the use of a heavy duty steel frame and four lockable casters. The Watt-Flat is designed for both stationary and easy transport, for years of trouble free usage.

Model: EWF1



Model: EWF1



Model: EWF3

Specifications

- Lifting Capacity: 660lbs/300kg
- Length: 72.5"/184cm(table top)
- Including headrest: 83"/211cm
- Width: 28"/71cm, 30"/76cm available
- Weight Range: 227lbs/103kg~242lbs/110kg
- Shipping Weight: 247lbs/112kg~262lbs/119kg
- Height Range: 25"/64cm~34"/87cm
- Shipping Dimensions: 74"/188cmx32"/81cmx27"/68cm

Key Features:

- 5 Year Limited Warranty
- Heavy duty steel frame
- Double Column Electric actuator height adjustment
- Flat table with rounded corner table top
- Optional wooden décor of Natural maple and Walnut
- 3"/7.5cm thick multi-layer Soft-foam system
- Skin-touch luxurious PU upholstery
- Both end headrest outlets
- Lockable casters

Accessories:

- Adjustable face cradle, face cushion and contoured arm support.

Watt-Deluxe

(专利产品 仿冒必究)

The Watt Series are preferred when positioning the client is the most important deliberation. With its unique double column lift system, the table can be tilted in either direction, the tilting function is also helpful for many treatments. With a 25"/64cm~34"/87cm height adjustment and 20° tilt in either direction for your treatment requirements, this table is the most comfortable and versatile we have

Model: EWD1+LA



Specifications

- Lifting Capacity: 660lbs/300kg
- Length: 72.5"/184cm(table top)
Including headrest: 83"/211cm
- Width: 28"/71cm, 30"/76cm available
- Height Range: 25"/64cm~34"/87cm
- Weight Range: 260lbs/118kg~275lbs/125kg
- Shipping Weight: 280lbs/127kg~295lbs/134kg
- Shipping Dimension: 74"/188cmx32"/81cmx27"/68cm

Accessories:

- Adjustable face cradle, face cushion, arm support and an additional rectangular headrest with neck pillow.



Model: EWD1+FA



Model: EWD1+LA



Model: EWD3-LA



Model: EWD3-FA



The double column system enables Watt Deluxe to achieve a 25"/64cm~34"/87cm height adjustment and 20° tilt in either direction for your treatment needs.



Height adjustment is controlled by both hand and foot.

Watt-Liftback

Model: EWL1-LA

The Watt Liftback features a double-column actuator system that offers unlimited possibilities for table positioning. The Watt-Liftback table can achieve a 25"/64cm~34"/87cm height adjustment and 20° tilt in either direction for your treatment requirements. The electric adjusting tilting backrest will offer incredible client comfort, with the use of a heavy duty steel frame and four lockable casters. The Watt-Liftback is designed for both stationary and easy transport, for years of trouble free usage.



Specifications

- Lifting Capacity: 660lbs/300kg
- Length: 72.5"/184cm(table top)
Including headrest: 83"/211cm
- Width: 28"/71cm, 30"/76cm available
- Height Range: 25"/64cm~34"/87cm
- Weight Range: 240lbs/109kg~253 lbs/115kg
- Shipping Weight: 260lbs/118kg~273lbs/124kg
- Shipping Dimensions: 74"/188cmx32"/81cmx27"/68cm

Key Features:

- 5 Year Limited Warranty
- Heavy duty steel frame
- Double Column Electric height adjustment
- Full electric salon top(hand controlled) with rounded corners.
- 25° tilt in either direction for your treatment requirements.
- Optional wooden décor of Natural maple and Walnut.
- Optional armrest of flexible arms and leveled arms
- 3"/7.5cm thick multi-layer soft-foam system
- Skin-touch luxurious PU upholstery
- Both end headrest outlets
- Lockable casters

Accessories:

- Adjustable face cradle, face cushion, contoured arm support and additional rectangular headrest with neck pillow.



Model: EWD1-FA



Model:EWD3-FA



Model: EWD1-LA



Model:EWD3-LA

Malibu-Deluxe

(专利产品 仿冒必究)

The Malibu-Deluxe is the first choice among five star resorts and spas for its state-of-the-art features including a fully adjustable electric salon top with 3.5"/9cm foam cushioning and supple skin-touch upholstery. The Malibu series provides easy-control electric height adjustment, optional side-arms include both removable self-adjusting leveled arms and removable flexible arms. The customizable cabinet-bases enable to complement any spa décor. It provides discerning clients the ultimate spa experience.

Model: EMD3+LA



Specifications

- Lift Capacity: 650lbs/295kg
- Weight Capacity: 4000lbs/1815kg
- Length: 72.5"/184cm(table top)
Including headrest: 83"/211cm
- Width Options: 28"/71cm, 30"/76cm available
- Height Range: 28"/70cm~34"/86cm
- Net Weight: 269lbs/122kg
- Shipping Weight: 299lbs/136kg
- Shipping Dimension: 74"/188cmx32"/81cmx34"/87cm

Key Features:

- 5 Year Limited Warranty
- American hard maple wooden frame
- Electric height adjustment
- Full electric salon top with rounded corner
- Adjustable feet for stability on uneven flooring
- Optional armrest(flexible and leveled armrest)
- 3.5"/9cm thick multi-layer Soft-foam system
- Skin-touch luxurious PU upholstery
- Sliding cabinet door
- Both end headrest outlets



Model: EMD1+LA



Model: EMD1+FA



Model: EMD3+LA



Model: EMD3+FA



Full electric salon top(hand control) with rounded corners.



Height adjustment is controlled by both hand and foot.



The built-in Synchronous actuators offer strong lifting power, safely and securely to elevate patient's weight up to 650 lbs/295kg.

Accessories:

- Adjustable face cradle, face cushion, contoured arm support and additional rectangular headrest with neck pillow.

Malibu-Tilt

(专利产品 仿冒必究)

The Malibu-Tilt is the first choice among five star resorts and spas for its state-of-the-art features including a fully adjustable electric salon top with 3.5"/9cm foam cushioning, supple skin-touch upholstery. The Malibu series provides easy-control electric height adjustment, optional side-arms include both removable self-adjusting leveled armrest and removable flexible arm-rest. The customizable cabinet-bases enable to complement any spa décor. It provides discerning clients the ultimate spa experience.

Model: EMT1+FA



Specifications

- Lift Capacity: 650lbs/295kg
- Weight Capacity: 4000lbs/1815kg
- Width Options: 28"/71cm, 30"/76cm available,
- Length: 72.5"/184cm (table top)
Including headrest: 83"/211cm
- Height Range: 28"/70cm~34"/86cm
- Net Weight: 242lbs/110kg
- Shipping Weight: 273lbs/124kg
- Shipping Dimension: 74"/188cmx32"/81cmx34"/87cm

Key Features:

- 5 Year Limited Warranty
- American hard maple wooden frame
- Electric height adjustment
- Full electric salon top with rounded corner
- Adjustable feet for stability on uneven flooring
- Optional armrest(flexible and leveled armrest)
- 3.5"/9cm thick multi-layer Soft-foam system
- Skin-touch luxurious PU upholstery
- Sliding cabinet door
- Both end headrest outlets



Model: EMT1+LA



Model: EMT1+FA



Model: EMT3+LA



Model: EMT3+FA



Height adjustment is controlled by both hand and foot.



Super luxurious rounded corner table top features electrical backrest controlled by hand.



The built-in Synchronous actuators offer strong lifting power, safely and securely to elevate patient's weight up to 650 lbs/295kg.

Accessories:

- Adjustable face cradle, face cushion, contoured arm support and additional rectangular headrest with neck pillow.

Malibu-Flat

The Malibu-Flat is the first choice among five star resorts and spas for its state-of-the-art features including electric height adjustment, luxurious electric salon top, 3.5"/9cm soft cushioning system and Sliding cabinet doors. The customizable cabinet-bases enable to complement any spa décor. It provides discerning clients the ultimate spa experience.

Model: EMF1



Specifications

- Lift Capacity: 650lbs/295kg
- Weight capacity: 4000lbs/1815kg
- Width Options: 28"/71cm
30"/76cm available
- Length: 72.5"/184cm(table top)
Including headrest: 83"/211cm
- Height Range: 28"/70cm~34"/86cm
- Net Weight: 229lbs/104kg
- Shipping Weight: 260lbs/118kg
- Shipping Dimension: 74"/188cmx32"/81cmx34"/87cm

Key Features:

- 5 Year Limited Warranty
- American hard maple wooden frame
- Electric height adjustment
- Adjustable feet for stability on uneven flooring
- 3.5"/9cm thick multi-layer Soft-foam system
- Skin-touch luxurious PU upholstery
- Sliding cabinet door
- Both end headrest outlets

Accessories:

- Adjustable face cradle, ultra soft face cushion, patented contoured arm support and an additional rectangular headrest with neck pillow.



Model: EMF1



Model: EMF3



The built-in Synchronous actuators offer strong lifting power safely and securely to elevate patient's weight up to 600 lbs/273kg.



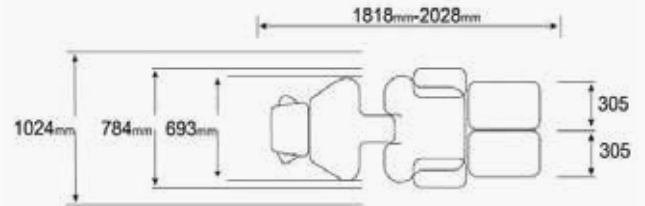
The cabinet with its many options for door customization, storing hot towel cabi or other necessities. You'll have everything you need at arm's length while complementing your spa's décor.

TATTOO EQUIPMENT

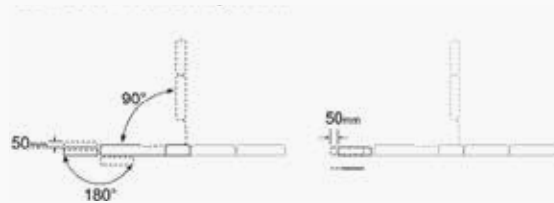




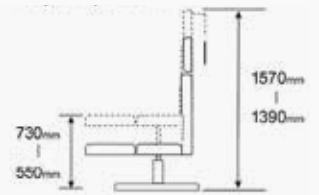
OVERALL DIMENSION



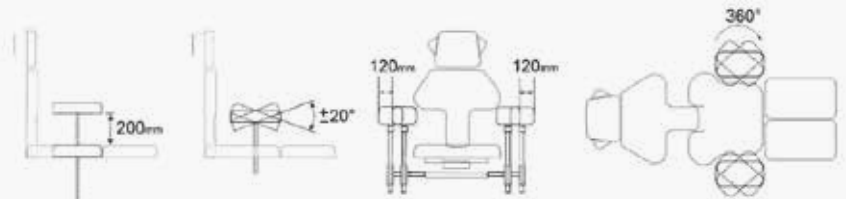
BACKREST & HEADREST ADJUSTMENT



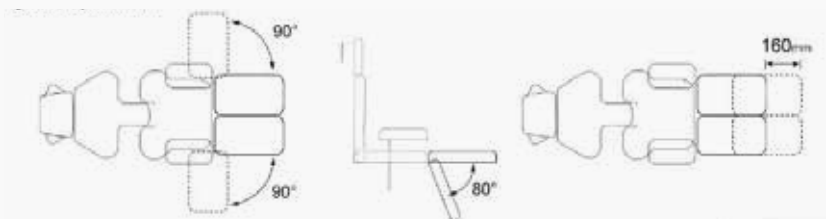
HEIGHT ADJUSTMENT



ARMREST ADJUSTMENT



LEGREST ADJUSTMENT



PRODUCT FEATURES:

- ITALIANO SHINING 5-YEAR GUARANTEED OIL AND WATER RESISTANT PU IN 5 COLORS
- SUPER LARGE HYDRAULIC PUMP FOR HEIGHT ADJUSTMENT, FEATURING A 350KG LIFTING CAPACITY
- LUXURIOUS 4" (10CM) THICK UPHOLSTERY
- ERGONOMIC DESIGN SEATING PAD, LEG REST, AND BACKREST MADE OF 35KG HIGH-DENSITY MOLDED FOAM
- REMOVABLE AND ROTATABLE SIDE ARMRESTS ARE HEIGHT AND ANGLE ADJUSTABLE
- INNOVATIVE PNEUMATIC CONTROL BACKREST OFFERS A SMOOTH 0-90 DEGREE ANGLE ADJUSTMENT
- EXCLUSIVE SWING-OUT AND EXTENDABLE LEG REST WITH A 0-80 DEGREE TILTING ADJUSTMENT AND A LOCKABLE 0-90 DEGREE REVOLVING ADJUSTMENT, CONTROLLED BY A SMOOTH PNEUMATIC SYSTEM
- REMOVABLE AND ADJUSTABLE FACE CRADLE AND A DOUBLE-LAYER HEADREST, INCLUDING A BREATH-HOLE CUSHION AND A REMOVABLE PILLOW PLUG
- BIFMA QUALITY 600LBS WORKING WEIGHT PNEUMATIC PUMPS FOR BACKREST AND LEG REST
- HEAVY-DUTY STEEL FRAME TREATED WITH POWDER COATING CRAFTS
- FRENCH STYLE HANDCRAFT STITCHING

ITALIANO SHINNING PU COLOR RANGE



DARK PURPLE(深紫色)



TOBACCO BROWN(烟棕色)



MAROON(褐红色)



CABERNET(胭脂色)



PEARL BLACK(珍珠黑)

DRACULA COUNT II

MODEL: MS41H



DRACULA VLAD II

MODEL: MS42H



DRACULA COUNT I

MODEL: MS41



DRACULA VLAD I

MODEL: MS42



DRACULA LEGEND

MODEL: MS43



DRACULA MECHANIC STOOL CHAIR

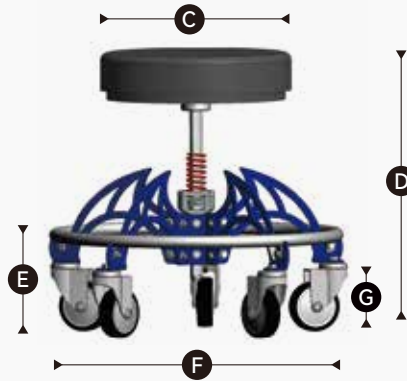
METAL MADE, COMFORTABLE & DURABLE

DRACULA VLAD I

ITEM CODE : MS42



PRODUCT PARAMETERS



- C** SEAT CUSHION DIAMETER:
15"/38CM
- D** HEIGHT ADJUSTMENT RANGE:
18.5"/47CM - 23.2"/59CM
- E** FOOT RAIL HEIGHT: 8"/20CM
- F** BASE DIAMETER: 23"/58.4CM
- G** CASTERS: 4"/10CM

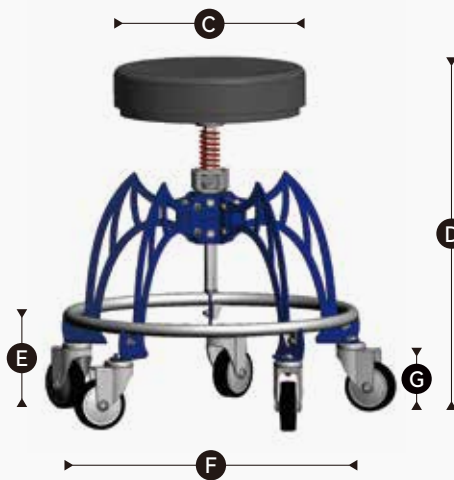
WEIGHT CAPACITY: 450LBS/204KG

DRACULA VLAD II

ITEM CODE : MS42H



PRODUCT PARAMETERS



- C** SEAT CUSHION DIAMETER:
15"/38CM
- D** HEIGHT ADJUSTMENT RANGE:
26.7"/67.8CM - 31.5"/80CM
- E** FOOT RAIL HEIGHT: 8"/20CM
- F** BASE DIAMETER: 23"/58.4CM
- G** CASTERS: 4"/10CM

WEIGHT CAPACITY: 450LBS/204KG

DRACULA MECHANIC STOOL CHAIR

METAL MADE, COMFORTABLE & DURABLE

DRACULA COUNT I

ITEM CODE:MS41



PRODUCT PARAMETERS



- A** THE BACKREST CUSHION:
7" * 10.7" / 17.8 * 27.1CM
- B** BACKREST ARM HEIGHT:
15.5" / 39.3CM
- C** SEAT CUSHION DIAMETER:
15" / 38CM
- D** HEIGHT ADJUSTMENT RANGE:
18.5" / 47CM - 23.2" / 59CM
- E** FOOT RAIL HEIGHT: 8" / 20CM
- F** BASE DIAMETER: 23" / 58.4CM
- G** CASTERS: 4" / 10CM

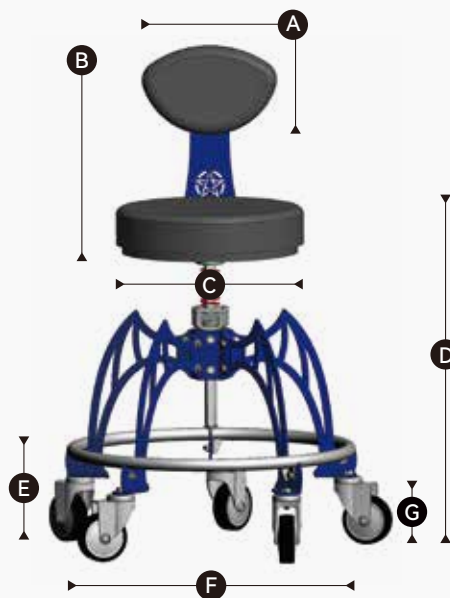
WEIGHT CAPACITY: 450LBS/204KG

DRACULA COUNT II

ITEM CODE:MS41H



PRODUCT PARAMETERS



- A** THE BACKREST CUSHION:
7" * 10.7" / 17.8 * 27.1CM
- B** BACKREST ARM HEIGHT:
15.5" / 39.3CM
- C** SEAT CUSHION DIAMETER:
15" / 38CM
- D** HEIGHT ADJUSTMENT RANGE:
26.7" / 67.8CM - 31.5" / 80CM
- E** FOOT RAIL HEIGHT: 8" / 20CM
- F** BASE DIAMETER: 23" / 58.4CM
- G** CASTERS: 4" / 10CM

WEIGHT CAPACITY: 450LBS/204KG

DRACULA MECHANIC STOOL CHAIR

METAL MADE, COMFORTABLE & DURABLE

PRODUCT FEATURES:



9.3CM/3.7" THICK, COMFORTABLE SEAT AND BACKREST FOR LONG SITTING DURATIONS



5 LASER-CUT WINGS SUPPORT LEGS HOLD INCREDIBLE WEIGHTS UP TO 204KG/450LBS THESE POWDER-COATED STEEL LEGS ARE DESIGNED FOR DURABILITY AND STRENGTH



DIA 58CM, STURDY STAINLESS STEEL FOOT RING RAIL FOR STABILITY AND PREVENT TIPPING



UP! SIMPLY LIFTING UP ON BOTH SIDES OF THE SEAT! DOWN! SIMPLY HOLD THE BOTTOM OF THE SEAT AND PULL THE LEVER! QUICK HEIGHT UP AND DOWN ADJUSTING!



LARGE, OVERSIZED 4"/10CM INDUSTRIAL CASTERS GLIDE OVER ANY SURFACE

DRACULA MECHANIC STOOL CHAIR

MECHANIC STOOL WITH STORAGE



DRACULA-LEGEND

ITEM CODE:MS43

PRODUCT FEATURES

DURABLE STEEL FRAME WITH 4"/10CM INDUSTRIAL WHEELS

8.1CM/3.2" THICK, DURABLE & COMFORTABLE SEAT

GROOVE SHELF FOR STORAGE AND SUPPORT

WEIGHT CAPACITY: 450LBS/204KG

Portable Massage Tables



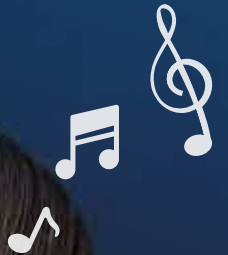
MusicMaster™

Bluetooth Music Face Pillow

- High Fidelity Sound Face Cradle Cushion-Bluetooth
- Bluetooth & Aux Connection
- Built in White Noise
- High Fidelity Stereo Sound System
- 12 Hour Charge



The Patented Bluetooth MusicPeace™ Massage Pillow is a revolutionary product designed to provide the perfect massage experience! It supports Bluetooth connectivity for mobile phones, AUX connectivity for Samsung, Apple phones and MP3 players. Enjoy 50+ calming sounds of nature with built-in white noise and let the gentle pitter-patter of raindrops drift you away into dreamland. Plus, the 1,000 mAh lithium battery supports 12 hours of music playback when fully charged, so you can take this massage pillow with you wherever you go. Transform your massage table or spa treatments to day with luxurious sound immersion from the Bluetooth MusicPeace™ Massage Pillow!





Galaxy Ambient Lighting System

Galaxy Ambient Lighting System, amazing new lighting system is super easy to install. It instantly gives your massage table a warm light underneath to create a comfortable, relaxing mood. It's the perfect way to cast a professional ambiance that immediately impresses clients. Essential for traveling massagers who can create instant decor in any room at the touch of a button.



Top quality upholstery with a 2 Year Limited Guarantee

Mt knows that performance and durability are essential for providing the best massage experience. That's why all of our tables & chairs feature oil- and water-resistant PU & PVC leather, so you can feel confident your clients will be in ultimate comfort- a security backed by our industry 2 Year Limited Guarantee! Plus, this certified material also helps maintain high levels of hygiene so everyone can relax knowing they'll receive top quality care each time.

Antibacterial PU



Nanotechnology Antibacterial PU Keeps You Clean & Safe

You can rest assured that our PU & PVC leather is at top quality: it has been certified by an industry-leading agency as a fantastic antibacterial material! It easily passed, scoring 99% effective against *Candida Albicans*, 96% when tested for *Staphylococcus Aureus* and another amazing 99% result versus *Escherichia coli*.



Luban-Muller

Model型号: PLM1

- Rounded corners
 - Patented Auto-Hold hinge
 - 3" Soft-foam with a layer of memory foam
 - Shiatsu release cables;
 - Reiki endplate on both-ends
 - Double leg lock knobs
-

鲁班-穆勒

- 圆角设计
 - 专利铰链设计
 - 7.5cm 软海绵(含一层记忆棉)
 - 可拆卸钢丝绳
 - 两侧高位挡板
 - 双旋钮
-



Luban-Era

Model型号: PLE1

- Rounded corners
 - Patented Auto Hold Hinge
 - 3" thick Soft-foam system
 - Shiatsu release cables
 - Reiki endplate on both-ends
 - Removable breast and stomach recesses
 - Double leg lock knobs
-

鲁班-爱娃

- 圆角设计
 - 专利铰链设计
 - 7.5cm 软海绵
 - 可拆卸钢丝绳
 - 两侧高位挡板
 - 可拆卸胸垫和胃垫
 - 双旋钮
-



Luban-Landmark

Model型号: PLL1

-
- Rounded corners
 - Patented Auto-Hold hinge
 - 3" Soft-foam
 - Shiatsu release cables
 - Reiki endplate on both-ends
 - Double leg lock knobs
-

鲁班-蓝马克

-
- 圆角设计
 - 专利铰链设计
 - 7.5cm 软海绵
 - 可拆卸钢丝绳
 - 两侧高位挡板
 - 双旋钮
-



Luban-Vitae

Model型号: PLV6

-
- Rounded corners
 - Patented Auto Hold Hinge
 - 2.5" thick Soft-foam system
 - Reiki endplate on both-ends
 - Easy adjusted lowered armrest
 - Double leg lock knobs
-

鲁班-维特

-
- 圆角设计
 - 专利铰链设计
 - 6.5cm 软海绵
 - 两侧高位挡板
 - 可拆卸可调节扶手
 - 双旋钮
-



Luban-Fabius

Model型号: PLF3

- Rounded corners
- Patented Auto-Hold hinge
- 2.5" Soft-foam
- Shiatsu release cables
- Reiki endplate on both-ends
- Double leg lock knobs

鲁班-法比亚斯

- 圆角设计
- 专利铰链设计
- 6.5cm 软海绵
- 可拆卸钢丝绳
- 两侧高位挡板
- 双旋钮



Luban-Landmark-Low

Model型号: PLL1L

- Rounded corners
- Auto-Hold hinge
- 2.5" thick multi-layered Semi-firm foam system
- 8"/46 cm to 25.8"/65.5cm lower height range
- Shiatsu release cables
- Reiki endplate
- Double leg lock knobs

鲁班-蓝马克(矮床)

- 圆角设计
- 专利铰链设计
- 6.5cm 软海绵
- 46 to 65.5cm可调节低高度
- 可拆卸钢丝绳
- 两侧高位挡板
- 双旋钮



Luban-Nadine

Model型号: PLN1

- Rounded corners
 - Patented Auto-Hold hinge
 - 2.5" Soft-foam
 - 22-Position elevating back rest
 - Reiki endplate on both-ends
 - Double leg lock knobs
-

鲁班-纳丁

- 圆角设计
 - 专利铰链设计
 - 6.5cm 软海绵
 - 静音的22位置掀背调节机构
 - 两侧高位挡板
 - 双旋钮
-



Luban-Yalding

Model型号: PLY1

- Rounded corners
 - Patented Auto-Hold hinge
 - 2.5" Soft-foam
 - 22-Position elevating back rest
 - Reiki endplate on both-ends
 - Double leg lock knobs
-

鲁班-雅迪

- 圆角设计
 - 专利铰链设计
 - 6.5cm 软海绵
 - 静音的22位置掀背调节机构
 - 两侧高位挡板
 - 双旋钮
-



(专利产品, 仿冒必究)

Concept-Taffy

Model型号: PCT3

- Patented Fan-shaped table top
- Patented Auto-Hold hinge
- 2.5" thick Soft-foam
- Shiatsu release cables
- Reiki endplate on both-ends
- Double leg lock knobs

康赛-太妃

- 专利扇形床面
- 专利铰链设计
- 6.5cm 软海绵
- 可拆卸钢丝绳
- 两侧高位挡板
- 双旋钮



(专利产品, 仿冒必究)

Concept-Pepo

Model型号: PCP1

- Patented Fan-shaped table top
- Patented Auto-Hold hinge
- 22-Position elevating back rest
- 2.5" thick Soft-foam
- Reiki endplate on both-ends
- Double leg lock knobs

康赛-帕欧

- 专利扇形床面
- 专利铰链设计
- 静音的22位置掀背调节机构
- 6.5cm 软海绵
- 可拆卸钢丝绳
- 两侧高位挡板
- 双旋钮



Concept-Oval

Model型号: PCO1

- Oval-shaped table top
 - Patented Auto-Hold hinge
 - 2.5" thick Soft-foam
 - Double leg lock knobs
-

康赛-欧文

- 半圆形床面设计
 - 专利铰链设计
 - 6.5cm 软海绵
 - 双旋钮
-



(专利产品, 仿冒必究)

Concept-Charm

Model型号: PCC1

- Patented Hour-Glass table top
 - Patented Auto-Hold hinge
 - 2.5" Soft-foam
 - Shiatsu release cables
 - Reiki endplate on both-ends
 - Double leg lock knobs
-

康赛-查姆

- 专利沙漏形床面
 - 专利铰链设计
 - 6.5cm 软海绵
 - 可拆卸钢丝绳
 - 两侧高位挡板
 - 双旋钮
-



(专利产品，仿冒必究)

Concept-Invito

Model型号: PCI1

- Patented Hour-Glass table top
- Patented Auto-Hold hinge
- 22-Position elevating back rest
- 2.5" Soft-foam
- Reiki endplate on both-ends
- Double leg lock knobs

康赛-伊维特

- 专利沙漏形床面
- 专利铰链设计
- 静音的22位置掀背调节机构
- 6.5cm 软海绵
- 两侧高位挡板
- 双旋钮



(专利产品，仿冒必究)

Wayer- Hedy

Model型号: PWH1

- Rounded corners
- 2.5" Semi-firm foam system
- Patented spring mattress aluminum frame
- 27.5lbs/12.5kgs light weight
- Easy single-knob

威尔-海迪

- 圆角设计
- 6.5cm 软海绵
- 专利的铝合金蹦床结构
- 12.5kgs 净重
- 单旋钮



Wayer-Deco

Model型号: PWD1

- Rounded corners
- 11-Position elevating back rest
- 2.5" thick multi-layered Soft-foam system
- Lightweight aluminum tabletop frame
- Easy single-knob

威尔-德科

- 圆角设计
- 6.5cm 软海绵
- 静音的22位置掀背调节机构
- 铝合金轻量化床框
- 单旋钮



(专利产品, 仿冒必究)

Mirage-Landmark

Model型号: PML1

- 80"/202cm x 32"/81cm oversize
- Aryurveda style table top
- Rounded corners
- Patented Auto-Hold hinge
- 1.6"/4cm Hard-foam System
- Reiki endplate on both-ends
- Double leg lock knobs

米罗-兰马克

- 202cm x 281cm超大尺寸
- 阿育维达油压床面
- 圆角设计
- 专利铰链设计
- 4cm 硬海绵
- 两侧高位挡板
- 双旋钮



Mirage-Oval

Model型号: PMO1

- Oval-shaped table top
- Aryurveda style table top
- Patented Auto-Hold hinge
- 1.6"/4cm Hard-foam system
- Double leg lock knobs

米罗-欧文

- 半圆形床面设计
- 阿育维达油压床面
- 专利铰链设计
- 4cm 硬海绵
- 双旋钮



Mirage-Barcelona

Model型号: PMB1

- 80"/202cm x 32" /81cm oversize
- Aryurveda style table top
- 4-side square edge
- Patented Auto-Hold hinge
- 1.6"/4cm Hard-foam system
- Reiki endplate on both-ends
- Double leg lock knobs



米罗-巴塞罗那

- 202cm x 281cm超大尺寸
- 阿育维达油压床面
- 方角设计
- 专利铰链设计
- 4cm 硬海绵
- 两侧高位挡板
- 双旋钮

Embrace Barcelona

Model: PEB1

- Square corners design
- Auto Hold Hinge
- 2.5" Soft-foam
- Shiatsu release cables
- Reiki endplate on both-ends
- Double leg lock knobs



伊贝斯-巴塞罗那

型号: PEB1

- 方角设计
- 专利锁扣设计
- 6.5cm 软海绵
- 两侧高位挡板
- 双旋钮

Embrace-Ulco

Model型号: PEU1

- Square corners design
 - Patented Auto Hold Hinge
 - 2.5" Soft-foam
 - Easy single-knob
-

伊贝斯-乌尔科

- 方角设计
 - 专利锁扣设计
 - 6.5cm 硬海绵
 - 两侧低位挡板
 - 单旋钮
-



Embrace-Q5

Model: PEQ1

- Square corners design
 - Patented Auto Hold Hinge
 - 2" Soft-foam
 - Easy single-knob
-

伊贝斯-Q5

- 方角设计
 - 专利锁扣设计
 - 5cm 软海绵
 - 呼吸孔及孔塞
 - 两侧低位挡板
 - 单旋钮
-



Embrace-Canoga

Product code型号: PEU3L

- Square corner design
 - Patented auto hold hinge
 - 2" /5cm hard foam
 - Shiatsu release cables
 - Double leg lock knobs
-

伊贝斯-卡诺佳

- 方角设计
 - 专利锁扣设计
 - 5cm 硬海绵
 - 两侧低位挡板
 - 可拆卸钢丝绳
 - 双旋钮
-



Embrace-Rudy

Model型号: PER1

- 4-side square edge
 - Patented Auto Hold Hinge
 - 22-Position elevating backrest
 - 2" Soft-foam
 - Reiki endplate on both-ends
 - Easy single-knob
-

伊贝斯-鲁迪

- 方角设计
 - 专利铰链设计
 - 静音的22位置掀背调节机构
 - 5cm 软海绵
 - 两侧高位挡板
 - 单旋钮
-



Embrace-Jazz

Model型号: PEJ1

- 4-side square edge
- 22-position elevating back rest
- Patented auto-hold hinge
- 2.5" soft-foam
- Reiki endplate on both-ends
- Double leg lock knobs

伊贝斯-爵士

- 方角设计
- 静音的22位置掀背调节机构
- 专利铰链设计
- 5cm 硬海绵
- 两侧高位挡板
- 双旋钮



End-Plate Options



Reiki Panel Options



⚠ The following design works are all original and have applied for copyright protection. Please do not send the design to other manufacturers in China without authorization to avoid infringement.

⚠ 以上设计作品，全部属于原创，已申请著作权保护，请不要擅自仿制，以免导致侵权。

Aluminum Portable Massage Table



Harmon

- Square corner design
 - 1.25"/3cm Hard foam
 - Fix height steel leg
-

哈曼

- 方角设计
 - 3cm 硬海绵
 - 固定高度钢脚
-



Zephyr

- Round corner design
 - 1.6"/4cm Hard foam
 - Height adjustable steel legs
-

禅风

- 圆角设计
 - 4cm 硬海绵
 - 高度可调节钢脚
-



Portable Massage Tables

Alula-Landmark

(专利产品, 仿冒必究)



Natural aluminum color
leg frame
Product code: PAL1

Specifications

Weight capacity: 450lbs/204kg
Table length: 72.5"/ 184cm (Table top)
Including headrest 83"/211cm
Width: 25"/63.5cm, 28"/71cm, 30"/76cm
Weight range: S25": 30.4lbs/13.8kg
S28": 33.2lbs/15.1kg
S30": 34.6lbs/15.7kg
Height range: 24.5"/62cm~32.5"/82.5cm



Black powder coating
leg frame
Product code: PAL2

Standard Features

- 3 Year Limited Guarantee
- Rounded corners
- Headrest outlets on both-ends
- Internal Reiki vaulted construction
- Easy push-button for height adjust
- 2.5" thick multi-layered Soft-foam system
- Skin-touch luxurious PU upholstery
- Auto-Hold hinge for extra strength and stability
- Precision crafted finger-joint wooden table top
- Firm yet light weight aluminum leg frame

Accessories

- Ultra soft deluxe face cushion
- Contoured Arc-base face cradle
- Contoured arm support
- Standard carrying bag with a large pocket

Alula-Ulco (专利产品, 仿冒必究)



Natural aluminum color
leg frame
Product code: PAU1

Specifications:

Weight capacity: 450lbs/204kg
Table length: 72.5"/ 184cm (Table top)
Including headrest 83"/211cm
Width: 25"/63.5cm, 28"/71cm, 30"/76cm
Weight range: S25": 25.5lbs/11.6kg
S28": 27.7lbs/12.6kg
S30": 29lbs/13.3kg
Height range: 24.2"/61.5cm~32.1"/81.5cm



Black powder coating
leg frame
Product code: PAU2

Standard Features:

- 3 Year Limited Guarantee
- 4 side square edge
- Headrest outlets on both-ends
- Internal Reiki vaulted construction
- Soft-touch PU upholstery
- 2" thick multi-layered Soft-foam system
- Firm yet lightweight aluminum leg frame
- Auto-Hold hinge for extra strength and stability
- Precision crafted Finger-joint wooden table top
- Easy push-button for height adjustment

Accessories

- Ultra soft deluxe face cushion
- Standard adjustable aluminum face cradle
- Reinforced arm sling
- Standard carrying bag with a large pocket

Portable Massage Tables

Alula-Rudy (专利产品, 仿冒必究)



Natural aluminum color
leg frame
Product code: PAR1

Specifications

Weight capacity:	450lbs/204kg
Table length:	72.5"/ 184cm (Table top) Including headrest 83"/211cm
Width:	25"/63.5cm, 28"/71cm, 30"/76cm
Weight range:	25": 30lbs/13.6kg, 28": 33.3lbs/15.1kg 30": 35.2lbs/16.1kg
Height range:	24"/61cm~ 32"/81cm



Black powder coating
leg frame
Product code: PAR2

Standard Features

- 3 Year Limited Guarantee
- Breathing-space with filler
- 4 side square edge
- Headrest outlets on both-ends
- 11-Position elevating back rest
- Soft-touch PU upholstery
- Internal Reiki vaulted construction
- Firm yet lightweight aluminum leg frame
- Precision crafted Finger-joint wooden table top
- Auto-Hold hinge for extra strength and stability
- 2" thick multi-layered Soft-foam system
- Easy push-button for height adjustment

Accessories

- Ultra soft deluxe face cushion
- Standard adjustable aluminum face cradle
- Reinforced arm sling
- Standard carrying bag with a large pocket

Alula-Jazz (专利产品, 仿冒必究)



Natural aluminum color
leg frame
Product code: PAJ1

Specifications:

Weight capacity:	450lbs/204kg
Table length:	72.5"/ 184cm (Table top) Including headrest 83"/211cm
Width:	26"/66cm, 29"/73.6cm
Weight range:	S26": 32lbs/14.6kg, S29": 35.9lbs/16.35kg
Height range:	24.2"/61.5cm~32.1"/81.5cm



Natural aluminum color
leg frame
Product code: PAJ2

Standard Features:

- 3 Year Limited Guarantee
- 4 side square edge
- Headrest outlets on both-ends
- Internal Reiki vaulted construction
- Skin-touch luxurious PU upholstery
- Easy push-button for height adjustment
- Deluxe level 11-Position elevating back rest
- Firm yet lightweight aluminum leg frame
- 2.5" thick multi-layered Soft-foam system
- Auto-Hold hinge for extra strength and stability
- Precision crafted Finger-joint wooden table top

Accessories

- Ultra soft deluxe face cushion
- Exclusive contoured Arc-base face cradle
- Adjustable standard arm support
- Standard carrying bag with a large pocket

Portable Massage Tables

Alula-Landmark-low (专利产品, 仿冒必究)



Natural aluminum color
leg frame
Product code: PAL1L

Specifications

Weight capacity: 450lbs/204kg
Table length: 72.5"/ 184cm (Table top)
Including headrest 83"/211cm
Width: 25"/63.5cm, 28"/71cm, 30"/76cm
Weight range: S25": 26lbs/11.8kg, S28": 28.7lbs /13kg
S30": 30.3lbs/13.8kg
Height range: 19.7"/50cm~25.6"/65cm



Black powder coating
leg frame
Product code: PAL2L

Standard Features

- 3 Year Limited Guarantee
- Rounded corners
- Lower height range adjustment
- Headrest outlets on both-ends
- Internal Reiki vaulted construction
- Easy push-button for height adjustment
- Firm yet lightweight aluminum leg frame
- 2.5" thick multi-layered Semi-firm foam system
- Soft-touch standard PU upholstery
- Auto-Hold hinge for extra strength and stability
- Precision crafted Finger-joint wooden table top

Accessories

- Ultra soft deluxe face cushion
- Standard adjustable aluminum face cradle
- Reinforced arm sling
- Standard carrying bag with a large pocket

Alula-Hedy (专利产品, 仿冒必究)



Natural aluminum color
leg frame
Product code: PAH1

Specifications:

Weight capacity: 450lbs/204kg
Table length: 72.5"/ 184cm (Table top)
Including headrest 83"/211cm
Width: 25"/63.5cm, 28"/71cm, 30"/76cm
Weight range: S25": 22.7lbs/10.3kg, S28": 24.6lbs/11.2kg
S30": 26.5lbs/12kg
Height range: 24"/61cm~ 32"/81cm



Black powder coating
leg frame
Product code: PAH2

Standard Features:

- 3 Year Limited Guarantee
- Rounded corners
- Lower height range adjustment
- Headrest outlets on both-ends
- Lightweight aluminum tabletop frame
- Internal Reiki vaulted construction
- Firm yet lightweight aluminum leg frame
- 2.5" thick multi-layered Semi-firm foam system
- Skin-touch luxurious PU upholstery
- Easy push-button for height adjustment
- Exclusive Wayer spring mattress system

Accessories

- Ultra soft deluxe face cushion
- Standard adjustable aluminum face cradle
- Reinforced arm sling
- Standard carrying bag with a large pocket

Portable Massage Tables

Alula-Deco (专利产品, 仿冒必究)



Natural aluminum color
leg frame
Product code: PAD1

Specifications

Weight capacity:	450lbs/204kg
Table length:	72.5"/ 184cm (Table top) Including headrest 83"/211cm
Width:	25"/63.5cm, 28"/71cm
Weight range:	25": 31.7lbs/14.4kg 28": 34.21lbs/15.55kg
Height range:	24.4"/62cm~ 32.5"/82.5cm



Black powder coating
leg frame
Product code: PAD2

Standard Features

- 3 Year Limited Guarantee
- Rounded corners
- Breathing-space with filler
- 11-Position elevating back rest
- Headrest outlets on both-ends
- Internal Reiki vaulted construction
- 2" thick multi-layered Soft-foam system
- Comfort Soft-touch PU upholstery
- Lightweight aluminum tabletop frame
- Easy push-button for height adjustment
- Lightweight aluminum table frame
- Firm yet lightweight aluminum leg frame

Accessories

- Ultra soft deluxe face cushion
- Standard adjustable aluminum face cradle
- Adjustable standard arm support
- Standard carrying bag with a large pocket

Alula-Hedy-low (专利产品, 仿冒必究)



Natural aluminum color
leg frame
Product code: PAH1-L

Specifications:

Weight capacity:	450lbs/204kg
Table length:	72.5"/ 184cm (Table top) Including headrest 83"/211cm
Width:	25"/63.5cm, 28"/71cm, 30"/76cm
Weight range:	S25": 22.2lbs/10.1kg, S28": 24.2lbs/11kg S30": 26lbs/11.8kg
Height range:	19.7"/50cm~25.6"/65cm



Black powder coating
leg frame
Product code: PAH2-L

Standard Features:

- 3 Year Limited Guarantee
- Rounded corners
- Lower height range adjustment
- Headrest outlets on both-ends
- Lightweight aluminum tabletop frame
- Internal Reiki vaulted construction
- Firm yet lightweight aluminum leg frame
- 2.5" thick multi-layered Semi-firm foam system
- Skin-touch luxurious PU upholstery
- Easy push-button for height adjustment
- Exclusive Wayer spring mattress system

Accessories

- Ultra soft deluxe face cushion
- Standard adjustable aluminum face cradle
- Reinforced arm sling
- Standard carrying bag with a large pocket

Portable Massage Tables

Alula-Charm (专利产品, 仿冒必究)



Natural aluminum color
leg frame
Product code: PAC1

Specifications

Weight capacity: 450lbs/204kg
Table length: 72.5"/ 184cm (Table top)
Including headrest 83"/211cm
Width: 27"/68cm, 30"/76cm
Weight range: S27": 26.8lbs /12.2kg, S30": 28.2lbs/12.8kg
Height range: 24.4"/62cm~32.2"/82.5cm



Black powder coating
leg frame
Product code: PAC2

Standard Features

- 3 Year Limited Guarantee
- Rounded corners
- Breathing-space with filler
- Exclusive Hour-Glass shape table top
- Headrest outlets on both-ends
- Internal Reiki vaulted construction
- Firm yet lightweight aluminum leg frame
- 2.5" thick multi-layered Soft-foam system
- Skin-touch luxurious PU upholstery
- Auto-Hold hinge for extra strength and stability
- Precision crafted finger-joint wooden table top
- Easy push-button for height adjustment

Accessories

- Ultra soft deluxe face cushion
- Contoured Arc-base face cradle
- Fully adjustable arm support
- Standard carrying bag with a large pocket

Alula-Invito (专利产品, 仿冒必究)



Natural aluminum color
leg frame
Product code: PAI1

Specifications:

Weight capacity: 450lbs/204kg
Table length: 72.5"/ 184cm (Table top)
Including headrest 83"/211cm
Width: 27"/68cm, 30"/76cm
Weight range: S27": 35.2lbs/16kg, S30": 37.4lbs/17kg
Height range: 24.4"/62cm~32.5"/82.5cm



Black powder coating
leg frame
Product code: PAI2

Standard Features:

- 3 Year Limited Guarantee
- Rounded corners
- Hour-Glass shape table top
- 11-Position elevating back rest
- Headrest outlets on both-ends
- Internal Reiki vaulted construction
- Firm yet lightweight aluminum leg frame
- 2.5" thick multi-layered Soft-foam system
- Skin-touch luxurious PU upholstery
- Auto-Hold hinge for extra strength and stability
- Precision crafted Finger-joint wooden table top
- Easy push-button for height adjustment

Accessories

- Ultra soft deluxe face cushion
- Exclusive contoured Arc-base face cradle
- Exclusive contoured arm support
- Standard carrying bag with a large pocket

Portable Massage Tables

Alula-Atlanta

(专利产品, 仿冒必究)



Natural aluminum color leg frame
Product code: PAA1

Specifications

Weight capacity: 450lbs/204kg
Working capacity: 2750 lbs/1250kg
Table length: 72.5"/ 184cm (Table top)
Including headrest 83"/211cm
Width: 28"/71cm
Weight range: 28.5lbs/12.9kg
Height range: 24"/61cm~ 32"/81cm



Black powder coating leg frame
Product code: PAA2

Standard Features

- 3 Year Limited Guarantee
- Rounded corners
- Exclusive Atlanta table top
- Headrest outlets on both-ends
- Internal Reiki vaulted construction
- Firm yet lightweight aluminum leg frame
- 2.5" thick multi-layered Semi-firm foam system
- Skin-touch luxurious PU upholstery
- Lightweight aluminum tabletop frame
- Easy push-button for height adjustment

Accessories

- Ultra soft deluxe face cushion
- Standard adjustable aluminum face cradle
- Reinforced arm sling
- Standard carrying bag with a large pocket

Alula-Gabriel

(专利产品, 仿冒必究)



Natural aluminum color leg frame
Product code: PAG1

Specifications:

Weight capacity: 450lbs/204kg
Working capacity: 2750 lbs/1250kg
Table length: 72.5"/ 184cm (Table top)
Including headrest 83"/211cm
Width: 28"/71cm
Weight range: 34.3lbs/15.6kg
Height range: 24.4"/62cm~32.5"/82.5cm



Black powder coating leg frame
Product code: PAG2

Standard Features:

- 3 Year Limited Guarantee
- Rounded corners
- Exclusive Atlanta table top
- Headrest outlets on both-ends
- 11-Position elevating back rest
- Internal Reiki vaulted construction
- Firm yet lightweight aluminum leg frame
- 2" thick multi-layered Soft-foam system
- Skin-touch luxurious PU upholstery
- Lightweight aluminum tabletop frame
- Easy push-button for height adjustment

Accessories

- Ultra soft deluxe face cushion
- Standard adjustable aluminum face cradle
- Fully adjustable arm support
- Standard carrying bag with a large pocket

Portable Massage Tables

Alula-Era (专利产品, 仿冒必究)



Natural aluminum color
leg frame
Product code: PAE1

Specifications

Weight capacity: 450 lbs/204kg
Table length: 72.5"/ 184cm (Table top),
Including headrest 83"/211cm
Width: 28"/71cm, 30"/76cm
Weight range: 28": 32 lbs/14.6kg
30": 34lbs/15.5kg (Table only)
Height range: 25"/63.5cm~33"/83.5cm



Black powder coating
leg frame
Product code: PAE2

Standard Features

- 3 Year Limited Guarantee
- Rounded corners
- Headrest outlets on both-ends
- Internal Reiki vaulted construction
- Breast recess and filler
- Stomach recess and filler
- Firm yet lightweight aluminum leg frame
- 3" thick multi-layered Soft-foam system
- Auto-Hold hinge for extra strength and stability
- Skin-touch luxurious PU upholstery
- Easy push-button for height adjustment

Accessories

- Ultra soft deluxe face cushion
- Contoured Arc-base face cradle
- Contoured arm support
- Standard carrying bag with a large pocket

Alula Hedy-Mini



Specifications:

Weight capacity: 450lbs/204kg
Table length: 68"/ 172cm (Table top)
Including headrest 79"/200cm
Width: 22"/55.8cm
Height range: 19.7"/50cm~25.6"/65cm
Weight: S22": 20.2lbs/9.2kg



Natural aluminum color legs
Product code: PAH1-Mini



Black powder coating legs
Product Code: PAH2-Mini

Standard Features:

- 3 Year Limited Guarantee
- Rounded corners
- Headrest outlets on both-ends
- Internal Reiki vaulted construction
- Lightweight aluminum tabletop frame
- Exclusive Wayer spring mattress system
- Firm yet lightweight aluminum leg frame
- 2.5" thick multi-layered Semi-firm foam system
- Skin-touch luxurious PU upholstery
- Easy push-button for height adjustment

Accessories

- Ultra soft deluxe face cushion
- Contoured Arc-base aluminum face cradle
- Contoured arm support
- Standard carrying bag with a large pocket

Portable Massage Tables



Zuma-Landmark

Product Code: PZL1

Standard Features:

- 3 Year Limited Guarantee
- Rounded corners
- Headrest outlets on both-ends
- Internal Reiki vaulted construction
- Firm yet lightweight aluminum leg frame
- 2.5" thick multi-layered Soft-foam system
- Skin-touch luxurious PU upholstery
- Auto-Hold hinge for extra strength and stability
- Precision crafted Finger-joint wooden table top
- Easy push-button for height adjustment

Specifications:

• Working capacity:	450lbs/204kg
• Weight capacity:	1000lbs/454kg
• Table length:	72.5"/184cm (Table top), Including headrest 83"/211cm
• Width:	28"/71cm, 30"/76cm
• Weight range:	S28": 28.7lbs/13kg, S30": 30.4lbs/13.8kg
• Height range:	24.4"/62cm~32.5"/82.5cm

Accessories:

- Ultra soft deluxe face cushion
- Standard adjustable aluminum face cradle
- Reinforced arm sling
- Standard carrying bag with a large pocket



Zuma-Ulco

Product Code: PZU1

Standard Features:

- 3 Year Limited Guarantee
- 4 side square edge
- Headrest outlets on both-ends
- Internal Reiki vaulted construction
- Firm yet lightweight aluminum leg frame
- 2" thick multi-layered Soft-foam system
- Soft-touch standard PU upholstery
- Auto-Hold hinge for extra strength and stability
- Precision crafted Finger-joint wooden table top
- Easy push-button for height adjustment

Specifications:

• Working capacity:	450lbs/204kg
• Weight capacity:	1000lbs/454kg
• Table length:	72.5"/184cm (Table top), Including headrest 83"/211cm
• Width:	25"/63.5cm, 28"/71cm, 30"/76cm
• Weight range:	S25": 27.3lbs/12.4kg, S28": 28.4lbs/12.9kg, S30": 29.5lbs/13.4kg
• Height range:	24.2"/61.5cm~32.1"/81.5cm

Accessories:

- Ultra soft deluxe face cushion
- Standard adjustable aluminum face cradle
- Reinforced arm sling
- Standard carrying bag with a large pocket



Zuma-Rudy

Product Code: PZR1

Standard Features:

- 3 Year Limited Guarantee
- 4 side square edge
- Breathing-space with filler
- Both-end outlets for headrest
- Internal Reiki vaulted construction
- 11-Position elevating back rest
- Firm yet lightweight aluminum leg frame
- 2" thick multi-layered Soft-foam system
- Soft-touch PU upholstery
- Auto-Hold hinge for extra strength and stability
- Precision crafted Finger-joint wooden table top
- Easy push-button for height adjustment

Specifications:

• Working capacity:	450lbs/204kg
• Weight capacity:	1000lbs/454kg
• Table length:	72.5"/184cm (Table top), Including headrest 83"/211cm
• Width:	28"/71cm, 30"/76cm
• Weight range:	S28": 34lbs/15.4kg, S30": 35.9lbs/16.4kg
• Height range:	24.2"/61.5cm~32.1"/81.5cm

Accessories:

- Ultra soft deluxe face cushion
- Standard adjustable aluminum face cradle
- Reinforced arm sling
- Standard carrying bag with a large pocket

Portable Massage Tables



Zuma-Jazz

Product Code: PZJ1

Standard Features:

- 3 Year Limited Guarantee
- 4 side square edge
- Headrest outlets on both-ends
- Internal Reiki vaulted construction
- 11-Position elevating back rest
- Firm yet lightweight aluminum leg frame
- 2.5" thick multi-layered Soft-foam system
- Skin-touch luxurious PU upholstery
- Auto-Hold hinge for extra strength and stability
- Precision crafted Finger-joint wooden table top
- Easy push-button for height adjustment

Specifications:

• Working capacity:	450lbs/204kg
• Weight capacity:	1000lbs/454kg
• Table length:	72.5"/184cm (Table top), Including headrest 83"/211cm
• Width:	29"/73.6cm, 31"/78.7cm
• Weight	S29": 36.7lbs/16.6kg S31": 38.5lbs/17.5kg
• Height	24.2"/61.5cm~32.1"/81.5cm

Accessories:

- Ultra soft deluxe face cushion
- Standard adjustable aluminum face cradle
- Fully adjustable arm support
- Standard carrying bag with a large pocket



Zuma-Hedy

Product Code: PZH1

Standard Features:

- 3 Year Limited Guarantee
- Rounded corners
- Patented Wayer spring mattress system
- Both-end outlets for headrest
- Internal Reiki vaulted construction
- Firm yet lightweight aluminum leg frame
- 2.5" thick multi-layered Semi-firm foam system
- Skin-touch luxurious PU upholstery
- Lightweight aluminum tabletop frame
- Easy push-button for height adjustment

Specifications:

• Working capacity:	450lbs/204kg
• Weight capacity:	1000lbs/454kg
• Table length:	72.5"/184cm (Table top), Including headrest 83"/211cm
• Width:	28"/71cm, 30"/76cm
• Weight range:	S28": 25.3lbs/11.5kg, S30": 28lbs/12.7kg
• Height range:	24"/61cm~32"/81cm

Accessories:

- Ultra soft deluxe face cushion
- Standard adjustable aluminum face cradle
- Reinforced arm sling
- Standard carrying bag with a large pocket



Zuma-Deco

Product code: PZD1

Standard Features:

- 3 Year Limited Guarantee
- Rounded corners
- Breathing-space with filler
- Headrest outlets on both-ends
- Internal Reiki vaulted construction
- 11-Position elevating back rest
- Firm yet lightweight aluminum leg frame
- 2" thick multi-layered Soft-foam system
- Skin-touch luxurious PU upholstery
- Lightweight aluminum tabletop frame
- Easy push-button for height adjustment

Specifications:

• Working capacity:	450lbs/204kg
• Weight capacity:	1000lbs/454kg
• Table length:	72.5"/184cm (Table top), Including headrest 83"/211cm
• Width:	25"/63.5cm, 28"/71cm, 30"/76cm
• Weight	S25": 33.7lbs/10.8kg S28": 34.9lbs/15.8kg
• Height	24.2"/61.5cm~32.1"/81.5cm

Accessories:

- Ultra soft deluxe face cushion
- Standard adjustable aluminum face cradle
- Reinforced arm sling
- Standard carrying bag with a large pocket

Zuma-Charm

Product Code: PZC



Standard Features:

- 3 Year Limited Guarantee
- Rounded corners
- Breathing-space with filler
- Exclusive Hour-Glass shape table top
- Headrest outlets on both-ends
- Internal Reiki vaulted construction
- Firm yet lightweight aluminum leg frame
- 2.5" thick multi-layered Soft-foam system
- Skin-touch luxurious PU upholstery
- Auto-Hold hinge for extra strength and stability
- Precision crafted finger-joint wooden table top
- Easy push-button for height adjustment

Specifications:

• Working capacity:	450lbs/204kg
• Weight capacity:	1000lbs/454kg
• Table length:	72.5"/184cm (Table top), Including headrest 83"/211cm
• Width:	27"/68.5cm, 30"/76cm
• Weight range:	S27": 28.6lbs/13kg, S30": 29.7lbs/13.5kg
• Height range:	24.4"/62cm~32.5"/82.5cm

Accessories:

- Ultra soft deluxe face cushion
- Standard adjustable aluminum face cradle
- Fully adjustable arm support
- Standard carrying bag with a large pocket



Zuma-Invito

Product Code: PZ11

Standard Features:

- 3 Year Limited Guarantee
- Rounded corners
- Hour-Glass shape table top
- 11-Position elevating back rest
- Headrest outlets on both-ends
- Internal Reiki vaulted construction
- Firm yet lightweight aluminum leg frame
- 2.5" thick multi-layered Soft-foam system
- Skin-touch luxurious PU upholstery
- Auto-Hold hinge for extra strength and stability
- Precision crafted Finger-joint wooden table top
- Easy push-button for height adjustment

Specifications:

• Working capacity:	450lbs/204kg
• Weight capacity:	1000lbs/454kg
• Table length:	72.5"/184cm (Table top), Including headrest 83"/211cm
• Width:	27"/68.6cm, 30"/76cm
• Weight range:	S30": 38lbs/17.3kg
• Height range:	24.4"/62cm~32.5"/82.5cm

Accessories:

- Ultra soft deluxe face cushion
- Contoured Arc-base face cradle
- Contoured arm support
- Standard carrying bag with a large pocket



Zuma-Atlanta

Product Code: PZA1

Standard Features:

- 3 Year Limited Guarantee
- Rounded corners
- Exclusive Atlanta table top
- Headrest outlets on both-ends
- Internal Reiki vaulted construction
- Firm yet lightweight aluminum leg frame
- 2.5" thick multi-layered Semi-firm foam system
- Skin-touch luxurious PU upholstery
- Lightweight aluminum tabletop frame
- Easy push-button for height adjustment

Specifications:

• Working capacity:	450lbs/204kg
• Weight capacity:	1000lbs/454kg
• Table length:	72.5"/184cm (Table top), Including headrest 83"/211cm
• Width:	28"/71cm
• Weight range:	28": 29.2lbs/13.2kg
• Height range:	24.2"/61.5cm~32.1"/81.5cm

Accessories:

- Ultra soft deluxe face cushion
- Standard adjustable aluminum face cradle
- Reinforced springy arm sling
- Standard carrying bag with a large pocket

Portable Massage Tables



Zuma-Gabriel

Product Code: PZG1

Standard Features:

- 3 Year Limited Guarantee
- Rounded corners
- Exclusive Atlanta table top
- Both-end outlets for headrest
- 11-Position elevating back rest
- Internal Reiki vaulted construction
- Firm yet lightweight aluminum leg frame
- 2 " thick multi-layered Soft-foam system
- Skin-touch luxurious PU upholstery
- Lightweight aluminum tabletop frame
- Easy push-button for height adjustment

Specifications:

• Working capacity:	450lbs/204kg
• Weight capacity:	1000lbs/454kg
• Table length:	72.5"/184cm (Table top), Including headrest 83"/211cm
• Width:	28"/71cm
• Weight range:	S28": 35lbs/15.9kg
• Height range:	24.2"/61.5cm~32.1"/81.5cm

Accessories:

- Ultra soft deluxe face cushion
- Standard adjustable aluminum face cradle
- Reinforced arm sling
- Standard carrying bag with a large pocket



Zuma-Era

Product Code: PZE1

Standard Features:

- 3 Year Limited Guarantee
- Rounded corners
- Headrest outlets on both-ends
- Internal Reiki vaulted construction
- Firm yet lightweight aluminum leg frame
- Breast recess and filler
- Stomach recess and filler
- Auto-Hold hinge for extra strength and stability
- 3" thick multi-layered Soft-foam system
- Skin-touch luxurious PU upholstery
- Easy push-button for height adjustment

Specifications:

• Working capacity:	450lbs/204kg
• Weight capacity:	1000lbs/454kg
• Table length:	72.5"/184cm (Table top), Including headrest 83"/211cm
• Width:	28"/71cm, 30"/76cm
• Weight range:	28": 32.7lbs/14.9kg, 30": 34.7lbs/15.8kg(Table only)
• Height range:	25"/63.5cm~32.9"/83.5cm

Accessories:

- Ultra soft deluxe face cushion
- Contoured Arc-base face cradle
- Contoured arm support
- Standard carrying bag with a large pocket



(专利产品 仿冒必究)

Vigor-Landmark

Product Code: PVL1

Standard Features:

- 3 Year Limited Guarantee
- Rounded corners
- Headrest outlets on both-ends
- Firm yet lightweight aluminum leg frame
- 2.5" thick multi-layered Soft-foam system
- Skin-touch luxurious PU upholstery
- Auto-Hold hinge for extra strength and stability
- Precision crafted Finger-joint wooden table top
- Easy push button for height adjustment

Specifications:

• Working capacity:	450lbs/204kg
• Weight capacity:	1000lbs/454kg
• Table length:	72.5"/184cm (Table top), Including headrest 83"/211cm
• Width:	25"/63.5cm, 28"/71cm
• Weight range:	S25": 25.1lbs/11.4kg, S28": 27.9lbs/12.8kg
• Height range:	24.4"/62cm~32.5"/82.5cm

Accessories:

- Ultra soft deluxe face cushion
- Standard adjustable aluminum face cradle
- Reinforced arm sling
- Standard carrying bag with a large pocket

Portable Massage Tables



(专利产品 仿冒必究)

Vigor-Ulco

Product Code: PVU1

Standard Features:

- 3 Year Limited Guarantee
- 4 side square edge
- Headrest outlets on both-ends
- Firm yet lightweight aluminum leg frame
- 2" thick multi-layered Soft-foam system
- Soft-touch PU upholstery
- Auto-Hold hinge for extra strength and stability
- Precision crafted Finger-joint wooden table top
- Easy push-button for height adjustment

Specifications:

• Working capacity:	450lbs/204kg
• Weight capacity:	1000lbs/454kg
• Table length:	72.5"/184cm (Table top), Including headrest 83"/211cm
• Width:	25"/63.5cm, 28"/71cm
• Weight range:	S25": 26.6lbs/11.5kg, S28": 28.8lbs/12.5kg
• Height range:	24.2"/61.5cm~32.1"/81.5cm

Accessories:

- Ultra soft deluxe face cushion
- Standard adjustable aluminum face cradle
- Reinforced arm sling
- Standard carrying bag with a large pocket



(专利产品 仿冒必究)

Vigor-rudy

Product Code: PVR1

Standard Features:

- 3 Year Limited Guarantee
- 4 side square edge
- Breathing-space with filler
- Headrest outlets on both-ends
- 11-Position elevating back rest
- Firm yet lightweight aluminum leg frame
- 2" thick multi-layered Soft-foam system
- Soft-touch PU upholstery
- Auto-Hold hinge for extra strength and stability
- Precision crafted Finger-joint wooden table top
- Easy push-button for height adjustment

Specifications:

• Working capacity:	450lbs/204kg
• Weight capacity:	1000lbs/454kg
• Table length:	72.5"/184cm (Table top), Including headrest 83"/211cm
• Width:	25"/63.5cm, 28"/71cm
• Weight range:	25": 29.8lbs/13.5kg, 28": 33.1lbs/15kg
• Height range:	24.2"/61.5cm~32.1"/81.5cm

Accessories:

- Ultra soft deluxe face cushion
- Standard adjustable aluminum face cradle
- Reinforced arm sling
- Standard carrying bag with a large pocket



Vigor-Jazz

Product Code: PVJ1

Standard Features:

- 3 Year Limited Guarantee
- 4 side square edge
- Headrest outlets on both-ends
- Deluxe level 11-Position elevating back rest
- Firm yet lightweight aluminum leg frame
- 2.5" thick multi-layered Soft-foam system
- Skin-touch luxurious PU upholstery
- Auto-Hold hinge for extra strength and stability
- Precision crafted Finger-joint wooden table top
- Easy push-button for height adjustment

Specifications:

• Working capacity:	450lbs/204kg
• Weight capacity:	1000lbs/454kg
• Table length:	72.5"/184cm (Table top), Including headrest 83"/211cm
• Width:	26"/66cm, 29"/73.9cm
• Weight range:	S26": 31.8lbs/14.5kg, S29": 35.8lbs/16.2kg
• Height range:	24.2"/61.5cm~32.1"/81.5cm

Accessories:

- Ultra soft deluxe face cushion
- Standard adjustable aluminum face cradle
- Fully adjustable arm support
- Standard carrying bag with a large pocket

Portable Massage Tables



Accessories:

- Ultra soft deluxe face cushion
- Standard adjustable aluminum face cradle
- Reinforced arm sling
- Standard carrying bag with a large pocket

Vigor-Hedy

Product Code: PVH1

Standard Features:

- 3 Year Limited Guarantee
- Round corners
- Patented Wayer aluminum table top
- Headrest outlets on both-ends
- Firm yet lightweight aluminum leg frame
- 2.5" thick multi-layered Semi firm foam system
- Soft-touch PU upholstery
- Lightweight aluminum tabletop frame
- Easy push-button for height adjustment

Specifications:

• Working capacity:	450lbs/204kg
• Weight capacity:	1000lbs/454kg
• Table length:	72.5"/184cm (Table top), Including headrest 83"/211cm
• Width:	25"/63.5cm, 28"/71cm
• Weight range:	S25": 30.4lbs/13.8kg, S28": 33.2lbs/15.1kg
• Height range:	24"/61cm~ 32"/81cm



Accessories:

- Ultra soft deluxe face cushion
- Standard adjustable aluminum face cradle
- Reinforced arm sling
- Standard carrying bag with a large pocket

Vigor-Deco

Product Code: PVD1

Standard Features:

- 3 Year Limited Guarantee
- Rounded corners
- Breathing-space with filler
- Headrest outlets on both-ends
- 11-Position elevating back rest
- Firm yet lightweight aluminum leg frame
- 2" thick multi-layered Soft-foam system
- Soft-touch PU upholstery
- Lightweight aluminum tabletop frame
- Easy push-button for height adjustment

Specifications:

• Working capacity:	450lbs/204kg
• Weight capacity:	1000lbs/454kg
• Table length:	72.5"/184cm (Table top), Including headrest 83"/211cm
• Width:	25"/63.5cm, 28"/71cm
• Weight range:	25": 31.5lbs/14.3kg, 28": 34lbs/15.4kg
• Height range:	24.4"/62cm~32.5"/82.5cm



Accessories:

- Ultra soft deluxe face cushion
- Standard adjustable aluminum face cradle
- Fully adjustable arm support
- Standard carrying bag with a large pocket

(专利产品 仿冒必究)

Vigor-Charm

Product Code: PVC1

Standard Features:

- 3 Year Limited Guarantee
- Rounded corners
- Excluded Hour-Glass shape table top
- Breathing-space with filler
- Headrest outlets on both-ends
- Firm yet lightweight aluminum leg frame
- 2.5" thick multi-layered Soft-foam system
- Skin-touch luxurious PU upholstery
- Auto-Hold hinge for extra strength and stability
- Precision crafted finger-joint wooden table top
- Easy push-button for height adjustment

Specifications:

• Working capacity:	450lbs/204kg
• Weight capacity:	1000lbs/454kg
• Table length:	72.5"/184cm (Table top), Including headrest 83"/211cm
• Width:	27"/68cm, 30"/76cm
• Weight	S27": 26.2lbs/11.9kg, S30": 29.3lbs/13.3kg
• Height	24.4"/62cm~32.5"/82.5cm

Portable Massage Tables



(专利产品 仿冒必究)

Vigor-Invito

Product Code: PVI1

Standard Features:

- 3 Year Limited Guarantee
- Rounded corners
- Excluded Hour-Glass shape table top
- 11-Position elevating back rest
- Headrest outlets on both-ends
- Firm yet lightweight aluminum leg frame
- 2.5" thick multi-layered Soft-foam system
- Skin-touch luxurious PU upholstery
- Auto-Hold hinge for extra strength and stability
- Precision crafted Finger-joint wooden table top
- Easy push-button for height adjustment

Specifications:

• Working capacity:	450lbs/204kg
• Weight capacity:	1000lbs/454kg
• Table length:	72.5"/184cm (Table top), Including headrest 83"/211cm
• Width:	27"/68cm, 30"/76cm
• Weight range:	S27": 31.8lbs/14.5kg, S30": 35lbs/15.9kg
• Height range:	24.4"/62cm~ 32.5"/82.5cm

Accessories:

- Ultra soft deluxe face cushion
- Standard adjustable aluminum face cradle
- Contoured arm support
- Standard carrying bag with a large pocket



(专利产品 仿冒必究)

Vigor-Atlanta

Product Code: PVA1

Standard Features:

- 3 Year Limited Guarantee
- Rounded corners
- Headrest outlets on both-ends
- Firm yet lightweight aluminum leg frame
- 2.5" thick multi-layered Semi-firm system
- Skin-touch luxurious PU upholstery
- Lightweight aluminum tabletop frame
- Easy push-button for height adjustment

Specifications:

• Working capacity:	450lbs/204kg
• Weight capacity:	1000lbs/454kg
• Table length:	72.5"/184cm (Table top), Including headrest 83"/211cm
• Width:	28"/71cm
• Weight range:	28": 28.2lbs/12.8kg
• Height range:	24.2"/61.5cm~ 32.1"/81.5cm

Accessories:

- Ultra soft deluxe face cushion
- Standard adjustable aluminum face cradle
- Reinforced arm sling
- Standard carrying bag with a large pocket



(专利产品 仿冒必究)

Vigor-Gabriel

Product Code: PVG1

Standard Features:

- 3 Year Limited Guarantee
- Rounded corners
- Excluded Atlanta table top
- Headrest outlets on both-ends
- 11-Position elevating back rest
- Firm yet lightweight aluminum leg frame
- 2.5" thick multi-layered Soft-foam system
- Skin-touch luxurious PU upholstery
- Lightweight aluminum tabletop frame
- Easy push-button for height adjustment

Specifications:

• Working capacity:	450lbs/204kg
• Weight capacity:	1000lbs/454kg
• Table length:	72.5"/184cm (Table top), Including headrest 83"/211cm
• Width:	28"/71cm
• Weight range:	S28": 34lbs/15.5kg
• Height range:	24.2"/61.5cm~32.1"/81.5cm

Accessories:

- Ultra soft face cushion
- Standard adjustable aluminum face cradle
- Fully adjustable arm support
- Standard carrying bag with a large pocket

Goden Ratio-Ulco

Product Code: PGU1



Standard Features:

- 3 Year Limited Guarantee
- 4-side square edge
- 360 degree leg access under the table
- Headrest outlets on both-ends
- Double leg lock knobs offer extra safety
- Auto-hold hinge for extra strength and stability
- Skin-touch luxurious PU upholstery
- 2.5" multi-layered Soft-foam system
- Precision crafted Finger-joint wooden table top
- European beech wood

Specifications:

• Working capacity:	450lbs/204kg
• Weight capacity:	1000lbs/454kg
• Table length:	S: 72.5"/184cm, M: 75.6"/192cm (Table top), Headrest adds 10.6"/27cm
• Width:	28"/71cm, 30"/76cm
• Weight range:	S28": 33.2lbs/15.1kg, S30": 34.6lbs/15.7kg, M30": 36.8lbs/16.7kg
• Height range:	23.4"/59.5cm~32"/82cm

Accessories:

- Ultra soft deluxe face cushion
- Standard adjustable aluminum face cradle
- Reinforced arm sling
- Standard carrying bag with a large pocket

Goden Ratio-Fabius

Product Code: PGF1



Standard Features:

- 3 Year Limited Guarantee
- Rounded corners
- 360 degree leg access under the table
- Reiki endplate on both-ends
- Headrest outlets on both-ends
- Double leg lock knobs offer extra safety
- Auto-hold hinge for extra strength and stability
- Skin-touch luxurious PU upholstery
- 2.5" multi-layered Soft-foam system
- Precision crafted Finger-joint wooden table top
- European beech wood

Specifications:

• Working capacity:	450lbs/204kg
• Weight capacity:	1000lbs/454kg
• Table length:	S: 72.5"/ 184cm, M: 75.6"/192cm (Table top), Headrest adds 10.6"/27cm
• Width:	28"/71cm, 30"/76cm
• Weight range:	S28": 33.2lbs/15.1kg, S30": 34.6lbs/15.7kg, M30": 36.8lbs/16.7kg
• Height range:	23.6"/60cm~32.2"/82cm

Accessories:

- Ultra soft deluxe face cushion
- Standard adjustable aluminum face cradle
- Fully adjustable standard arm support
- Standard carrying bag with a large pocket

Stella Eden

Product Code: PSE2



Standard Features:

- 3 Year Limited Guarantee
- Exclusive curved shape table top
- Headrest outlets on both-ends
- Internal Reiki vaulted construction
- Firm yet lightweight aluminum leg frame
- 2.5" thick multi-layered Soft-foam system
- Skin-touch luxurious PU upholstery
- Auto-hold hinge for extra strength and stability
- Precision crafted finger-joint wooden table top
- Easy push-button for height adjust

Specifications:

• Working capacity:	450lbs/204kg
• Weight capacity:	1000lbs/454kg
• Table length:	66"/ 168cm (Table top), Including headrest 79"/200cm
• Width:	28"/71cm
• Weight:	S28": 33.2lbs/15.1kg
• Height range:	24.5"/62cm~32.5"/82.5cm

Accessories:

- Ultra soft deluxe face cushion
- Standard adjustable aluminum face cradle
- A reinforced arm sling
- A standard carrying bag with a large pocket

Stella Landmark

Product Code: PSL2



Standard Features:

- 3 Year Limited Guarantee
- Rounded corners
- Headrest outlets on both-ends
- Internal Reiki vaulted construction
- Firm yet lightweight aluminum leg frame
- 2.5" thick multi-layered Soft-foam system
- Skin-touch luxurious PU upholstery
- Auto-hold hinge for extra strength and stability
- Precision crafted finger-joint wooden table top
- Easy push-button for height adjust

Specifications:

Working capacity:	450lbs/204kg
Weight capacity:	1000lbs/454kg
Table length:	72.5"/184cm (Table top), Headrest adds 10.6"/27cm
Width:	28"/71cm, 30"/76cm
Weight range:	S28": 33.2lbs/15.1kg, S30": 34.6lbs/15.7kg
Height range:	24.5"/62cm~32.5"/82.5cm

Accessories:

- Ultra soft deluxe face cushion
- Standard adjustable aluminum face cradle
- Reinforced arm sling
- Standard carrying bag with a large pocket

Stella Barcelona

Product Code: PSB2



Standard Features:

- 3 Year Limited Guarantee
- 4 side square edge
- Headrest outlets on both-ends
- Internal Reiki vaulted construction
- Firm yet lightweight aluminum leg frame
- 2.5" thick multi-layered Soft-foam system
- Skin-touch luxurious PU upholstery
- Auto-hold hinge for extra strength and stability
- Precision crafted finger-joint wooden table top
- Easy push-button for height adjust

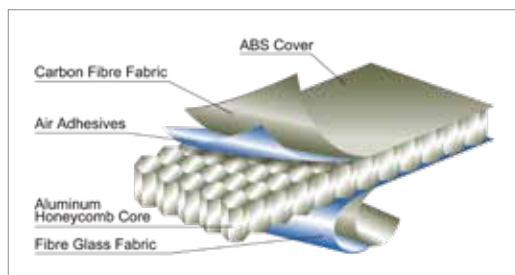
Specifications:

Working capacity:	450lbs/204kg
Weight capacity:	1000lbs/454kg
Table length:	72.5"/184cm (Table top), Headrest adds 10.6"/27cm
Width:	28"/71cm, 30"/76cm
Weight range:	S28": 33.2lbs/15.1kg, S30": 34.6lbs/15.7kg
Height range:	24.5"/62cm~32.5"/82.5cm

Accessories:

- Ultra soft deluxe face cushion
- Standard adjustable aluminum face cradle
- Reinforced arm sling
- Standard carrying bag with a large pocket

Innovative Aluminum Honeycomb + Fiber Glass + ABS 7-layer Composite Table Top



Specifications:

Weight capacity:	650lbs/295kg
Table length:	47.2"/120cm
Width:	24"/60cm
Weight:	21.6lbs/9.8kg
Height range:	26.4"/67cm~35.2"/89.5cm

Mars Sport Treatment Table

Product Code: Mars

Standard Features:

- Specifically Designed for Athlete Support, Sports Training & Kinesiology Taping
- 3 Year Limited Guarantee
- Heavy-duty Aircraft Grade Aluminum Construction
- NEVRlost Push-Button Height Adjustment
- Easy and Quick Folding
- Big Foot Leg Platforms, Ensure Stability on Uneven or Rough Sports Fields
- Solid and Stable Structure Impressive 1763-Pound Weight Support



Accessories:

- Carrying bag
- 4 removable foot pads



Video

Mars Sport Treatment Table



Big Foot Platforms:

Marscomes equipped with our extraordinary removable Big Foot Leg Platforms that store away easily in a kangaroo style pouch under the table. These platforms ensure maximum stability outdoors on grass or sand!



Folding Construction:

The Mars table is made of solid aluminum alloy leg frame and features a folding construction which is very convenient to fold and transport.



Push Button for Height Adjustment:

The Mars table features a 26.3"/67cm-35.2"/90cmcm large range of height adjustment with simple push button adjustments.



Travel Bag :

Product includes a portable travel bag for the convenience of coaches or team doctors when traveling from field to field.

Portable Massage Tables

Patented Wayer Table Top (专利产品, 仿冒必究)

Main features

Lighter Weight:

The patented Wayer table top was designed for saving weight. It's composed of a light weight aluminum frame with a spring mattress construction. The innovative light weight aluminum frame and our nylon fabric spring mattress system combine to create a super-light and comfortable portable table top. This unique spring mattress construction saves a whole 3kg of weight from your portable table.

You have dedicated your skills, love and life to helping others overcome back pain. A light weight table is key to your own safety and comfort. It's just what you need to be on-the-go with your massage business!



Stronger Construction:

With a precision welded yet lightweight aluminum tabletop frame, it's strong, durable and superstable yet easy to carry. With a 5 year structural guarantee the quality of our construction is backed with confidence.

More Comfort:

Industrial-strength woven nylon sheeting is stretched onto an aero-grade aluminum frame, which is combined with our 2.5" semi-firm padding, then upholstered with premium material and rounded with beautifully sewn corners. Every finished massage table has the smoothest feel and softest touch that your clients will assuredly comment on.

AutoHold Hinge

Our exclusive AutoHold technology is a new way to securely hold the tabletop brace in place. Through our testing we realized that the piano-hinge puts an enormous amount of stress on the wood. The piano hinge contains many screws on the same plane and when subjected to a large amount of force can start to crack.

Our AutoHold technology is a new way to securely hold the tabletop brace. It contains incredible strength and puts minimal stress on the wood, and is far superior versus a traditional piano-hold.



Shiatsu Release Cable Option:



Specifications

We recommend massage tables with a Shiatsu release cable which allows you to easily place the table top directly on the ground.

1. Find the wing-nuts and remove them to release the cable
2. Remove the cable from the legs.
3. Fold the legs into the table and place the table top directly on the ground.

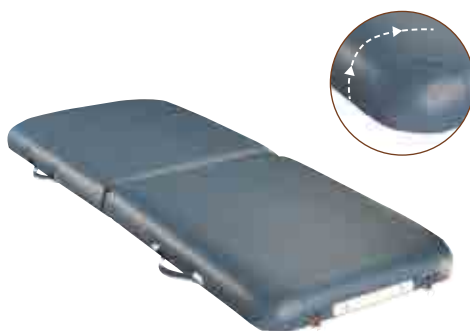
This feature is a great alternative to buying a mat and already comes installed on our high-end table models.

Table Top Upholstering Options:



Damron Table Top:

Our Damron Table Top boasts a traditional upholstery that is firm and durable with classic tight rounded edges and a style conducive for all types of massage.



Kreemers Table Top:

The Kreemers Table Top is our most popular model. It is the perfect balance of softness and support, with the firmness of a conventional table yet wider for a better client experience.



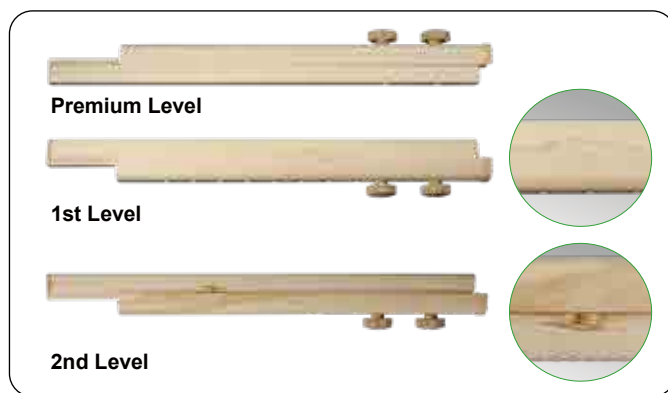
Manor Table Top:

Our soft and conforming Manor Table Top is a new take on comfort and with more surface area than ever it provides for optimal workspace and client relaxation.

Options for wooden massage tables

Wood Quality

Sintang uses only the finest quality European Beech or Pine wood available. Though, because the quality of the wood grain, firmness, and coloring can vary due to its natural growth, Sintang designates our wood in three distinct categories: Premium Level, 1st level, and 2nd level. Premium Level: Wood is 100% perfect, free of knots or irregular grain patterns: +\$3/table
 1st Level: Sound-knots and small blemish <1cm, thin brown streak, oil streak and slight discoloration is allowed. Pine holes, chalk pockets, cracks, and other distortions are not allowed: Standard
 2nd Level: Brown color discolorations, brown color oil streaks, and dead knots smaller than 1cm are allowed. Pine holes, chalk pockets, cracks, and other distortions are not allowed: -\$5/table



Adjustable legs Options

1 Regular 8-hole leg with single knob #M08

Easy single-knob legs with eight adjustment holes allows your table's height to range from 23.2"/59cm ~ 32"/82cm

2 Regular 11-hole leg with double knobs #M11

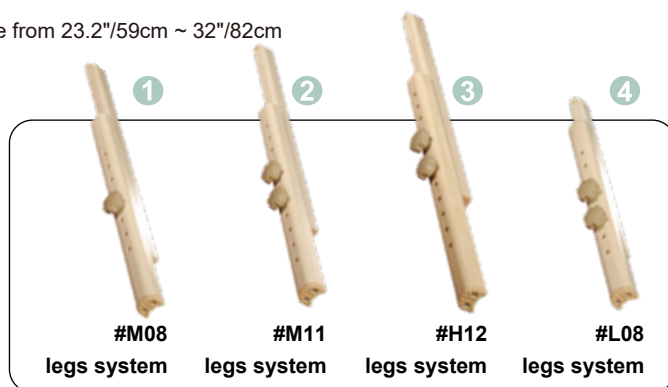
Regular double knob legs with 11 adjustment holes offer a height range from 23.8"/60.5cm~33.8"/86cm

3 Longer 12-hole leg with double knobs #H12

The #H12 legs are 6cm longer than the regular legs. Double knobs combined with 12 adjustment holes increases a table's height from 23.8"/60.5cm ~ 35"/ 89cm

4 Low height 8-hole leg with double knobs #L08

The #L08 legs are 13cm shorter. Double-knobs will offer extra safety, and with 8 holes a table's height adjusts from 18"/46 cm to 25.8"/65.5cm



Painting Options



Clear Painting



Walnut Stained Painting

+ US \$5 for added value of walnut color

- Environmental protection paint
- Azo compound free
- Lead free

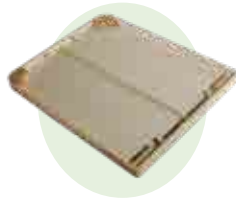
Table Top Options

Extra beam offer extra stability and safety:

Single beam

Strongpoint:

Discretely installed along the underside, a platform reinforced by single beam provides for better strength and stability



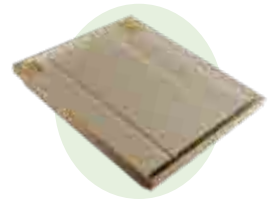
Shortcoming:

Adding one reinforcement beam will increase the total weight of the table by 0.6kg.

Double beams

Strongpoint:

Discretely installed along the underside, a platform reinforced by two beams provides for ultimate support as well as better strength and stability.



Shortcoming:

Adding two reinforcement beams will increase the total weight of the table by 1.2kg.

Foam Systems

Our range of foam options from heavier Firm-Foam to a lighter Soft-Foam



Memory foam

When it comes to overall comfort, our Memory Foam system is unmatched. It's an ideal material for any spa-like environment where client relaxation is paramount. Adds 0.5kg.



Soft Foam

Using a Soft Foam system assures maximum comfort and relaxation, allowing clients to rest soundly. No weight added.



Semi-Firm Foam

Soft to the touch yet dense at the core, our Semi-Firm Foam system is a perfect balance for sports, Thai, and other physical therapy centered massages. No weight added.



Firm-Foam

With a particularly high density of 40kg/m³ our Firm-Foam system is intended for massages that require especially hard surfaces. Adds 1kg.

Portable Massage Tables

Various Foam Thicknesses:

Choose the thickness of the foam, from the soft and soothing thick foam to thin and economic thin foam.



3.5"/9cm foam



3"/7.6cm foam



2.5"/6.3cm foam



2"/5cm foam

Built-in Heating Pad Built-in Heating Pad

Our Built-in Heating Pad option with an exclusive heat distribution system and digital controls are available on all our table models. Unlike other massage tables, our innovative Built-in Heating Pad is CE/ETL certified technology distributes heat evenly throughout the whole length of the table. By incorporating state of the art heating elements and aluminum film in the core of the table, the warming effects are consistent and easy to control.

Whether it's a flat, tilting back-rest, four-section portable, or even an electric table we can include a Built-in Heating Pad. A client's immediate comfort is key and with a Built-in Heating Pad it takes only moments to warm your table up and enhance the massage experience.



Features: (专利产品 仿冒必究)

- 210-230 Volts/50Hz or 110~130 Volts/50Hz
- 90 Watts
- Session Timer
- Custom Temperature Control
- Lit Digital Display
- 1 Year Warranty
- UK/Europe/US plugs available

Headrest Outlets Options



Wooden outlets

A classic look that can present a logo. Comes in natural/cherry/walnut finishes



Oval outlet

Durable Nylon comes in black or beige.



Tubular outlet

A sturdy structure with firm hold comes in either black or beige.

Clasp Options



Chrome



Brass

Handle Options



Foam handle with brass fastening



Foam handle with chrome fastening



Standard foam handle

AutoHold Hinge



Piano hinge



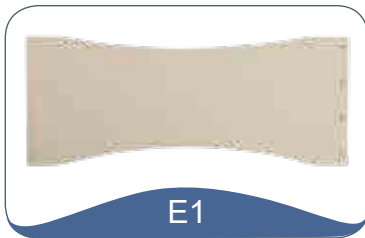
U-shaped hinge



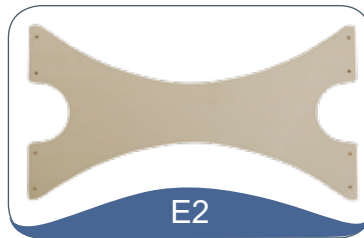
3-section Stainless hinge

End-Plate Options

At 5mm thick our end-plates make for a strong yet light table.



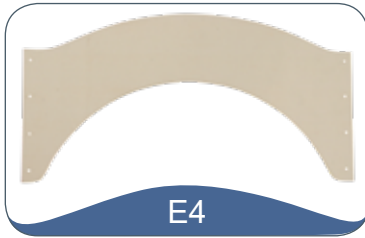
E1



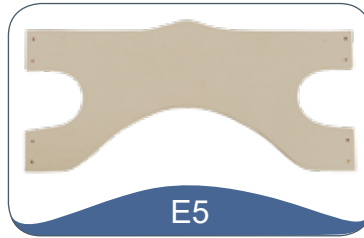
E2



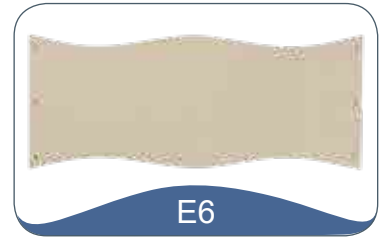
E3



E4



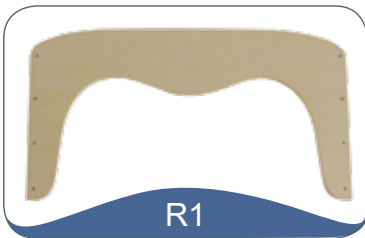
E5



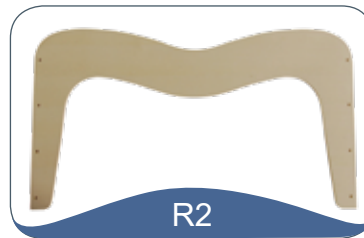
E6

Reiki Panel Options

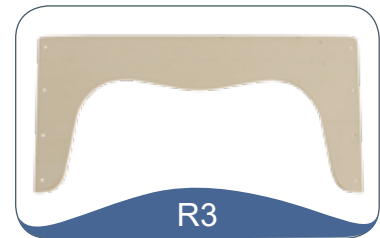
Reiki panels allow a masseuse to optimize body mechanics around all ends of the table.



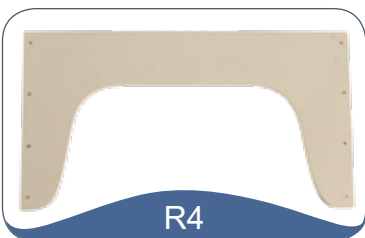
R1



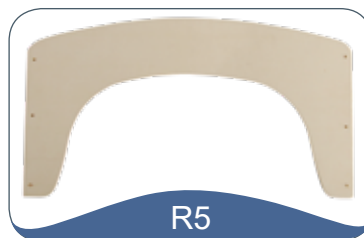
R2



R3



R4



R5



For seated treatments such as Reiki, Reflexology or Facials where a therapist is seated at either end of the table, these end panels allow for the necessary leg room to sit. Without it, a therapist may find it tiresome constantly leaning forward, thereby putting strain on the back.

Portable Massage Tables

Breathing Space & Filler Option

Provide your clients comfort and room to breathe while they lie face down. The solid filler restores your table's level working surface. Sintang's exclusive breathing space design has a contoured slope to decrease pressure on the face, reducing needles red marks after a session.



Face Cushion Recess w/ Filler Option

The innovative design of face cushion recess is as an alternative of headrest at both ends of the table, this removable option is the result of extensive research and development by massage therapists, engineers, and Shanghai Sintang.

Table Options for Alula Table Series

Portable Aluminum Massage Tables

Leg Height Options



#L

Lowered Alula leg system

By using this leg system, your aluminum tables can achieving height adjustment at range of 19.7"/50cm~25.6"/65cm, perfect for Thai and sports massage. At reduced height, your table is even lighter and equally as durable.



#M

Standard Alula leg system

By using this leg system, your aluminum table can achieve a height adjustment range of 24"/61cm~ 32"/81cm. With internal Reiki vaulted construction, the table is firm yet lightweight with an aluminum frame that is ideal for daily use.

Leg Color Options



#A1

Natural aluminum color leg frame

In choosing a classic aluminum finish, your table will appear clean and lightweight, fitting in nicely with modern décor and even adding a more feminine touch to the overall look.



#A2

Black powder coating aluminum leg frame

Black powder coating conveys the strong and sturdy structure of your table and is a preferred finish for sports related uses and perfect for more masculine environments.

Portable Massage Tables

Corner Decoration

Choose a traditional square corner, a classic double sewn round corner, or an elegant round corner.



Square corner



Classic round corner



Elegant round corner

Logo Printing

Adding a logo both personalizes your inventory of Sintang massage tables and furthers your own brand identity. Becoming differentiated in your market is equally as important to us. We offer free or value added personalized logos with minimum order quantities in a variety of ways:



Logo on the end-panel

- Max 2 colors allowed
- Printing: free
- MOQ: 20 tables



Logo on the headrest's wooden outlet

- Single color allowed
- Cost: \$15 for the stencil-plate
- Printing: \$0.2/table
- MOQ: 50 tables



Logo on the carrying case

- Max 2 colors allowed
- Printing: free
- MOQ: 20 tables



Logo on vinyl

- Cost: \$300 for the stencilplate/Logo
- Printing: \$1/Panel
- MOQ: 50 tables



Logo on the carton

- Max: 2 colors allowed
- Printing: free
- MOQ: 20 tables



Logo Sticker

- On aluminum frame tables, stickers are the one option for incorporating a logo.
- \$100 for film for the film
- MOQ: 50 tables

Essence -Flat

- Product Code: SEF1

An economic and durable wooden stationary massage table with basic functions, fixed height, and ample comfort. Our super-Strong European Beech wood frame can be treated with clear, walnut lacquer.

Standard Features:

- Fixed height
- 5 Year Limited Warranty
- 4-end rounded corners
- Both-end outlets for headrest
- Standard PVC upholstery
- 2.5"/6.5cm thick multi-layered Soft-foam system
- European beech wood
- Knock-down packaging with simple assembly

Specifications:

Max weight capacity:	600lbs/270kg
Static weight capacity:	3500lbs/1590kg
Length:	73"/186cm (Table top), Including headrest 83.6"/213cm
Width:	28"/71cm, 30"/76cm, 32"/81cm available
Weight range:	28": 50lbs/23kg, 30": 54lbs/24.5kg, 32": 57lbs/26kg
Fixed height:	30.5"/77.5cm
Package Size:	28": 76"/192cmX31"/79cmX9"/23.5cm 30": 76"/192cmX33"/84cmX9"/23.5cm 32": 76"/192cmX33"/84cmX9"/23.5cm
Gross Weight:	28": 97lbs/44kg, 30": 106lbs/48kg, 32": 114.6lbs/52kg



Natural Color
Product Code: SEF1



+ \$10 USD for added value
Walnut Color
Product Code: SEF3+H

Accessories:

- Ultra soft deluxe face cushion
- Standard adjustable aluminum face cradle
- Reinforced arm sling

Essence -Flat

+{Height adjustment}

- Product Code: SEF+H

An enhanced model with a heightadjustment function.

Standard Features:

- 5 Year Limited Warranty
- 4-end rounded corners
- Headrest outlets on both-ends
- European Beech wood
- Double leg-lock knobs offer extra safety
- Standard PVC upholstery
- 2.5"/6.5cm thick multi-layered Soft-foam system
- Knock-down packaging with simple assembly

Specifications:

Max weight capacity:	600lbs/270kg
Static weight capacity:	3500lbs/1590kg
Length:	73"/186cm (Table top), Including headrest 83.6"/213cm
Width:	28"/71cm, 30"/76cm, 32"/81cm available
Weight range:	28": 49lbs/22.5kg, 30": 53lbs/24kg, 32": 56lbs/25.5kg
Height range:	24.8"/63cm~35"/89cm
Package Size:	28": 76"/192cmX31"/79cmX9"/23.5cm 30": 76"/192cmX33"/84cmX9"/23.5cm 32": 76"/192cmX33"/84cmX9"/23.5cm
Gross Weight:	28": 97lbs/44kg, 30": 106lbs/48kg, 32": 114.6lbs/52kg



Accessories:

- Ultra soft deluxe face cushion
- Standard adjustable aluminum face cradle
- Reinforced arm sling



Natural Color
Product Code: SEF1+H



+ \$10 USD for added value
Walnut Color
Product Code: SEF3+H

Abasictilting backrest stationary table with fixed height and with a durable European Beech Wood Frame that can be treated with a clear or walnut finish.

Essence -Tilt

Standard Features:

- 5 Year Limited Warranty
- Fixed height
- 4-end rounded corners
- 11-Position elevating back rest
- Headrest outlets on both-ends
- Standard PVC upholstery
- 2.5"/6.5cm thick multi-layered Soft-foam system
- European beech wood
- Knock-down packaging with simple assembly

Specifications:

Max weight capacity:	600lbs/270kg
Static weight capacity:	3500lbs/1590kg
Length:	73"/186cm (Table top), Including headrest 83.6"/213cm
Width:	28"/71cm, 30"/76cm, 32"/81cm available
Weight range:	28": 54.6lbs/24.8kg, 30": 58lbs/26.3kg, 32": 61lbs/27.8kg
Fixed height:	30.5"/77.5cm
	28": 76"/192cmX31"/79cmX9"/23.5cm 30": 76"/192cmX33"/84cmX9"/23.5cm 32": 76"/192cmX33"/84cmX9"/23.5cm
Gross Weight:	28": 97lbs/44kg, 30": 106lbs/48kg, 32": 114.6lbs/52kg



<Stationary table>
- Product Code: SET1

Accessories:

- Ultra soft deluxe face cushion
- Standard adjustable aluminum face cradle
- Reinforced arm sling



Natural Color
Product Code: SET1



+ \$10 USD for added value
Walnut Color
Product Code: SET3

With a combination of the tilting backrest and height adjustment functions, the Essence Series provides many of the same features one would expect in a high-end massage table.

Essence -Tilt

Standard Features:

- 5 Year Limited Warranty
- 4-end rounded corners
- 11-Position elevating back rest
- Headrest outlets on both-ends
- Knock-down packaging with simple assembly
- Double leg-lock knobs offer extra safety
- Standard PVC upholstery
- 2.5"/6.5cm thick multi-layered Soft-foam system
- European beech wood

Specifications:

Max weight capacity:	600lbs/270kg
Static weight capacity:	3500lbs/1590kg
Length:	73"/186cm (Table top), Including headrest 83.6"/213cm
Width:	28"/71cm, 30"/76cm, 32"/81cm available
Weight range:	28": 53.6lbs/24.4kg, 30": 56lbs/25.9kg, 32": 60lbs/27.4kg
Height range:	24.8"/63cm~35"/89cm
	28": 76"/192cmX31"/79cmX9"/23.5cm 30": 76"/192cmX33"/84cmX9"/23.5cm 32": 76"/192cmX33"/84cmX9"/23.5cm
	28": 97lbs/44kg, 30": 106lbs/48kg, 32": 114.6lbs/52kg



+{Height adjustment}
- Product Code: SET+H



Natural Color
Product Code: SET1+H



+ \$10 USD for added value
Walnut Color
Product Code: SET3+H

Accessories:

- Ultra soft deluxe face cushion
- Standard adjustable aluminum face cradle
- Reinforced arm sling

Essence -Flat

+{Open storage shelf}

- Product Code: SEF+S

A standing table with open storage, fixed height, and a durable European Beech wood frame that can be treated with a clear or walnut finish.

Standard Features:

- Standard PVC upholstery
- Headrest outlets on both-ends
- European beech wood
- Knock-down packaging with simple assembly
- 2.5"/6.5cm thick multi-layered Soft-foam system
- 5 Year Limited Warranty
- Fixed height
- An open storage shelf
- 4-end rounded corners



Specifications:

Max weight capacity:	600lbs/270kg
Static weight capacity:	3500lbs/1590kg
Length:	73"/186cm (Table top), Including headrest 83.6"/213cm
Width:	28"/71cm, 30"/76cm, 32"/81cm available
Weight range:	28": 67lbs/30.5kg, 30": 70.5lbs/32kg, 32": 74lbs/33.5kg
Fixed height:	30.5"/77.5cm
Package Size:	28": 76"/192cmX31"/79cmX9"/23.5cm 30": 76"/192cmX33"/84cmX9"/23.5cm 32": 76"/192cmX33"/84cmX9"/23.5cm
Gross Weight:	28": 97lbs/44kg, 30": 106lbs/48kg, 32": 114.6lbs/52kg



Natural Color
Product Code: SEF1+S



+ \$10 USD for added value
Walnut Color
Product Code: SEF3+S

Accessories:

- Ultra soft deluxe face cushion
- Standard adjustable aluminum face cradle
- Reinforced arm sling

Essence -Flat

+{Height adjustment}
+{Open storage shelf}

- Product Code: SEF+A+S

Height adjustable flat stationary table with an open storage shelf

Standard Features:

- Double leg lock knobs offer extra safety
- Super durable standard PVC upholstery
- 2.5"/6.5cm thick multi-layered Soft-foam system
- European beech wood
- Knock-down packaging with simple assembly
- 5 Year Limited Warranty
- 4-end rounded corners
- 11-Position elevating back rest
- Headrest outlets on both-ends

Specifications:

Max weight capacity:	600lbs/270kg
Static weight capacity:	3500lbs/1590kg
Length:	72.5"/184cm (Table top), Including headrest 83"/211cm
Width:	28"/71cm, 30"/76cm, 32"/81cm available
Weight range:	28": 66lbs/30kg, 30": 69lbs/31.5kg, 32": 72.5lbs/33kg
Height range:	24.8"/63cm~35"/89cm
Package Size:	28": 76"/192cmX31"/79cmX9"/23.5cm 30": 76"/192cmX33"/84cmX9"/23.5cm 32": 76"/192cmX33"/84cmX9"/23.5cm
Gross Weight:	28": 97lbs/44kg, 30": 106lbs/48kg, 32": 114.6lbs/52kg



Accessories:

- Ultra soft deluxe face cushion
- Standard adjustable aluminum face cradle
- Reinforced arm sling



Natural Color
Product Code: SEF1+H



+ \$10 USD for added value
Walnut Color
Product Code: SEF3+H

A fixed height stationary table with tilting backrest and an open storage shelf

Essence -Tilt

Standard Features:

- 5 Year Limited Warranty
- 4-end rounded corners
- An open storage shelf
- 11-Position elevating back rest
- Headrest outlets on both-ends
- Standard PVC upholstery
- 2.5"/6.5cm thick multi-layered Soft-foam system
- European beech wood
- Knock-down packaging with simple assembly

Specifications:

Max weight capacity:	600lbs/270kg
Static weight capacity:	3500lbs/1590kg
Length:	72.5"/184cm (Table top), Including headrest 83"/211cm
Width:	28"/71cm, 30"/76cm, 32"/81cm available
Weight range:	28": 70lbs/32kg, 30": 75lbs/34kg, 32": 78lbs/35.5kg
Fixed height:	30.5"/77.5cm
	28": 76"/192cmX31"/79cmX9"/23.5cm 30": 76"/192cmX33"/84cmX9"/23.5cm 32": 76"/192cmX33"/84cmX9"/23.5cm
Gross Weight:	28": 97lbs/44kg, 30": 106lbs/48kg, 32": 114.6lbs/52kg



+{Open storage shelf}
- Product Code: SET+S

Accessories:

- Ultra soft deluxe face cushion
- Standard adjustable aluminum face cradle
- Reinforced arm sling



Natural Color
Product Code: SET1+S



+ \$10 USD for added value
Walnut Color
Product Code: SET3+S

A full-function model with height adjustment, tilting backrest, and an open storage shelf

Essence -Tilt

Standard Features:

- 5 Year Limited Warranty
- 4-end rounded corners
- An open storage shelf
- 11-Position elevating back rest
- Headrest outlets on both-ends
- Double leg-lock knobs offer extra safety
- 2.5"/6.5cm thick multi-layered Soft-foam system
- Knock-down packaging with simple assembly
- European beech wood
- Standard PVC upholstery

Specifications:

Max weight capacity:	600lbs/270kg
Static weight capacity:	3500lbs/1590kg
Length:	72.5"/184cm (Table top), Including headrest 83"/211cm
Width:	28"/71cm, 30"/76cm, 32"/81cm available
Weight range:	28": 70.5lbs/32kg, 30": 73.8lbs/33.5kg, 32": 77lbs/35kg
Height range:	24.8"/63cm~35"/89cm
	28": 76"/192cmX31"/79cmX9"/23.5cm 30": 76"/192cmX33"/84cmX9"/23.5cm 32": 76"/192cmX33"/84cmX9"/23.5cm
	28": 97lbs/44kg, 30": 106lbs/48kg, 32": 114.6lbs/52kg



+{Height adjustment}
+{Open storage shelf}
- Product Code: SEF+H+S



Natural Color
Product Code: SET1+H+S



+ \$10 USD for added value
Walnut Color
Product Code: SET3+H+S

Accessories:

- Ultra soft deluxe face cushion
- Standard adjustable aluminum face cradle
- Reinforced arm sling

Classic - Flat

- Product Code: SCF1

A flat deluxe stationary table features adjustable height and open storage

Standard Features:

- Rounded corners
- An open storage shelf
- Both-end outlets for headrest
- European beech wood
- 2.5"/6.5cm thick multi-layered Soft-foam system
- Double leg lock knobs offer extra safety
- Comfort Soft-touch PU upholstery
- Knock-down packaging with simple assembly



Specifications:

Max weight capacity:	600lbs/270kg
Static weight capacity:	3500lbs/1590kg
Length:	75.5"/192cm (Table top), Including headrest 86"/219cm
Width:	28"/71cm, 30"/76cm, 32"/81cm available
Weight range:	28": 64lbs/29kg, 30": 68lbs/31kg, 32": 72.6lbs/33kg
Fixed height:	25.2"/64cm~35.4"/90cm
Package Size:	28": 78"/198cmX31"/79cmX13"/32cm 30": 78"/198cmX33"/84cmX9"/23.5cm 32": 78"/198cmX36"/91cmX13"/32cm
Gross Weight:	28": 93lbs/42kg, 30": 101lbs/46kg, 32": 110.2lbs/50kg



Natural Color
Product Code: SCF1



+ \$10 USD for added value
Walnut Color
Product Code: SCF3

Accessories:

- Ultra soft deluxe face cushion
- Standard aluminum adjustable face cradle
- Fully adjustable arm support

Classic - Tilt

- Product Code: SCT1

A full-function deluxe model with height adjustment function and tilting backrest and an open storage shelf

Standard Features:

- 11-Position elevating back rest
- 2.5"/6.5cm thick multi-layered Soft-foam system
- Double leg-lock knobs offer extra safety
- Comfort Soft-touch PU upholstery
- Knock-down packaging with simple assembly
- Rounded corners
- An open storage shelf
- European beech wood
- Both-end outlets for headrest



Specifications:

Max weight capacity:	600lbs/270kg
Static weight capacity:	3500lbs/1590kg
Length:	72.5"/192cm (Table top), Including headrest 86"/219cm
Width:	28"/71cm, 30"/76cm, 32"/81cm available
Weight range:	28": 68lbs/31kg, 30": 72.6lbs/33kg, 32": 77lbs/35kg
Height range:	25.2"/64cm~35.4"/90cm
Package Size:	28": 78"/198cmX31"/79cmX13"/32cm 30": 78"/198cmX33"/84cmX9"/23.5cm 32": 78"/198cmX36"/91cmX13"/32cm
Gross Weight:	28": 93lbs/42kg, 30": 101lbs/46kg, 32": 110.2lbs/50kg

Accessories:

- Ultra soft deluxe face cushion
- Standard aluminum adjustable face cradle
- Fully adjustable arm support



Natural Color
Product Code: SCT1



+ \$10 USD for added value
Walnut Color
Product Code: SCT3

A very popular stationary massage table in Asia, the Napoleon Series provides for a stout work surface for shorter therapists who may not require under-table storage.

Napoleon-Flat

- Product code: SNF1

Standard Features:

- 5 Year Limited Warranty
- Rounded corners
- Headrest outlets on both-ends
- European beech wood
- Easy single-knob for height adjustment
- Skin-touch luxurious PU upholstery
- 2.5"/6.5cm multi-layered Soft-foam system
- Knock-down packaging with simple assembly

Specifications:

Max weight capacity:	450lbs/204kg
Static weight capacity:	2200lbs/1000kg
Length:	72.5"/184cm (table top), Including headrest 83"/211cm
Width:	26"/66cm, 28"/71cm, 30"/76cm, 32"/81cm available
Weight range:	26": 50.5lbs/23kg, 28": 55lbs/25kg 30": 59.5lbs/27kg, 32": 64lbs/29kg
Height range:	19.7"/50cm~27"/69cm
Package Size:	26": 76"/192cmX29"/74cmX9"/23.5cm 28": 76"/192cmX31"/79cmX9"/23.5cm 30": 76"/192cmX33"/84cmX9"/23.5cm 32": 76"/192cmX36"/92cmX9"/23.5cm
Gross Weight:	26": 93lbs/42kg, 28": 97lbs/44kg 30": 101lbs/46kg, 32": 110.2lbs/50kg



Accessories:

- Ultra soft deluxe face cushion
- Standard aluminum adjustable face cradle
- Fully adjustable arm support



Natural Color
Product Code: SNF1



+ \$10 USD for added value
Walnut Color
Product Code: SNF3

Built on the same base, the Napoleon Tilt offers an 11-Position elevating backrest adjustment. From a flat top to a 70 degree angle, the adjustment is effortless.

Napoleon-Tilt

- Product code: SNT1

Standard Features:

- 5 Year Limited Warranty
- Rounded corners
- 11-Position elevating back rest
- Headrest outlets on both-ends
- European beech wood
- Easy single-knob for height adjustment.
- Skin-touch luxurious PU upholstery
- 2.5"/6.5cm multi-layered Soft-foam system
- Knock-down packaging with simple assembly

Specifications:

Max weight capacity:	450lbs/204kg
Static weight capacity:	2200lbs/1000kg
Length:	72.5"/184cm (table top), Including headrest 83"/211cm
Width:	26"/66cm, 28"/71cm, 30"/76cm, 32"/81cm available
Weight range:	26": 55lbs/25kg, 28": 59.5lbs/27kg 30": 64lbs/29kg, 32": 68lbs/31kg
Height range:	19.7"/50cm~27"/69cm
Package Size:	26": 76"/192cmX29"/74cmX9.3"/23.5cm 28": 76"/192cmX31.1"/79cmX9.3"/23.5cm 30": 76"/192cmX33.1"/84cmX9.3"/23.5cm 32": 76"/192cmX35"/89cmX9.3"/23.5cm
Gross Weight:	26": 93lbs/42kg, 28": 97lbs/44kg 30": 101lbs/46kg, 32": 106lbs/48kg



Natural Color
Product Code: SNT1



+ \$10 USD for added value
Walnut Color
Product Code: SNT3

Accessories:

- Ultra soft deluxe face cushion
- Standard aluminum adjustable face cradle
- Fully adjustable arm support

Boast-Flat

- Product Code: SBF1

A Non-Assembly Flat stationary table with folding leg, and sturdy structure made of European Beech Wood.

Standard Features:

- 5 Year Limited Warranty
- Squared corners
- Headrest outlets on both-ends
- Easy to adjust and setup in seconds
- Soft-touch PU upholstery
- 3"/7.5cm multi-layered Soft-foam system
- European Beech wood
- No assembly required

Specifications:

Max weight capacity:	550lbs/250kg
Static weight capacity:	2200 lbs/1000kg
Length:	72"/184cm (Table top), Including headrest 83"/211cm
Width:	28"/71cm, 30"/76cm available
Weight range:	28": 64lbs/29kg, 30": 70.5lbs/32kg
Height range:	25.5"/65.5cm~34.5"/87.5cm
Package Size:	28": 85"/215cmX8.3"/21cmX30.3"/77cm 30": 85"/215cmX8.3"/21cmX32"/81cm
Gross Weight:	28": 97lbs/44kg, 30": 101lbs/46kg

Accessories:

- Ultra soft deluxe face cushion
- Standard aluminum adjustable face cradle
- Reinforced arm sling



Video



Boast-Tilt

- Product Code: SBT1

A Non-Assembly Tilt stationary table with folding leg, luxurious 3"/7.5cm cushioning.

Standard Features:

- 5 Year Limited Warranty
- Squared corners
- 6-Position elevating back rest
- Headrest outlets on both-ends
- Soft-touch PU upholstery
- 3"/7.5cm multi-layered Soft-foam system
- European Beech wood
- No assembly required

Specifications:

Max weight capacity:	550lbs/250kg
Static weight capacity:	2200 lbs/1000kg
Length:	72"/184cm (Table top), Including headrest 83"/211cm
Width:	28"/71cm, 30"/76cm available
Weight range:	28": 70.5lbs/32kg, 30": 78lbs/35.5kg
Height range:	25.5"/65.5cm~34.5"/87.5cm
Package Size:	28": 85"/215cmX8.3"/21cmX30.3"/77cm 30": 85"/215cmX8.3"/21cmX32"/81cm
Gross Weight:	28": 97lbs/44kg, 30": 123/56kg

Accessories:

- Ultra soft deluxe face cushion
- Standard adjustable aluminum face cradle
- Reinforced arm sling



Video



A spa treatment style massage table with height adjustment and open storage.

Standard Features:

- 5 Year Limited Warranty
- Easy single-knob for height adjustment
- Rounded corners
- Skin-touch Luxurious PU upholstery
- An open storage shelf
- 3.5"/9cm thick multi-layered Soft-foam system
- Headrest outlets on both-ends
- European beech wood
- Knock-down packaging with simple assembly

Specifications:

Max weight capacity:	600lbs/270kg
Static weight capacity:	4000lbs/1815kg
Length:	72.5"/184cm (table top), Including headrest 83"/211cm
Width:	26"/66cm, 28"/71cm, 30"/76cm, 32"/81cm available
Weight range:	26": 64lbs/29kg, 28": 70.5lbs/32kg 30": 77lbs/35kg, 32": 81.5lbs/37kg
Height range:	24.2"/61.5cm~33"/84cm
Package Size:	26": 76"/192cmX29"/74cmX14.4"/36.5cm 28": 76"/192cmX31.1"/79cmX14"/35cm 30": 76"/192cmX33.1"/84cmX14"/35cm 32": 74"/188cmX35.4"/90cmX14.4"/36.5m
Gross Weight:	26": 93lbs/44kg, 28": 92.6lbs/42kg 30": 97lbs/44kg, 32": 101lbs/46kg

Archer-Flat

- Product Code: SAF1



Accessories:

- Ultra soft deluxe face cushion
- Exclusive contoured Arc-base face cradle
- Contoured arm support



Natural Color
Product Code: SAF1



+ \$10 USD for added value
Walnut Color
Product Code: SAF3

A spa treatment style massage table with height adjustment, open storage, and a tilting backrest.

Standard Features:

- 5 Year Limited Warranty
- Removable self-adjusting and flexible armrest
- Rounded corners
- Easy single-knob for height adjustment
- Headrest outlets on both-ends
- Strong pneumatic lift controlled backrest
- An open storage shelf
- Skin-touch Luxurious PU upholstery
- European beech wood
- 3.7"/9cm thick multi-layered Soft-foam system
- Knock-down packaging with simple assembly

Specifications:

Max weight capacity:	600lbs/270kg
Static weight capacity:	4000lbs/1815kg
Length:	72.5"/184cm (table top), Including headrest 83"/211cm
Width:	26"/66cm, 28"/71cm, 30"/76cm available
Weight range:	26": 81.5lbs/37kg, 28": 88lbs/40kg, 30": 92.5lbs/42kg
Height range:	24.2"/61.5cm~33"/84cm
Package Size:	26": 76"/192cmX29"/74cmX14.4"/36.5cm 28": 76"/192cmX31.1"/79cmX14.4"/36.5cm 30": 76"/192cmX33.1"/84cmX14.4"/36.5cm
Gross Weight:	26": 112lbs/51kg, 28": 117lbs/53kg, 30": 121lbs/55kg

Archer-Tilt

+{Removable Self Adjusting Flexible Armrest}

- Product Code: SAT+FA



Natural Color
Product Code: SAT1+FA



+ \$10 USD for added value
Walnut Color
Product Code: SAT3+FA

Accessories:

- Ultra soft deluxe face cushion
- Standard adjustable aluminum face cradle
- Reinforced arm sling

Archer - Tilt

+{Removable Self Adjusting
Leveled Armrest}

- Product Code: SAT+LA

A spa treatment style massage table with height adjustment, open storage, and a tilting backrest.

Standard Features:

- 5 Year Limited Warranty
- Rounded corners
- An open storage shelf
- Headrest outlets on both-ends
- European beech wood
- Knock-down packaging with simple assembly
- Removable self-adjusting leveled armrest
- Strong pneumatic lift controlled backrest
- Easy single-knob for height adjustment
- Skin-touch Luxurious PU upholstery
- 3.7"/9cm thick multi-layered Soft-foam system

Specifications:

Max weight capacity:	600lbs/270kg
Static weight capacity:	4000lbs/1815kg
Length:	72.5"/184cm (table top), Including headrest 83"/211cm
Width:	26"/66cm, 28"/71cm, 30"/76cm available
Weight range:	26": 81.5lbs/37kg, 28": 88lbs/40kg, 30": 92.5lbs/42kg
Height range:	24.2"/61.5cm~33"/84cm
Package Size:	26": 74"/188cmX29"/74cmX14.4"/36.5cm 28": 74"/188cmX31.1"/79cmX14.4"/36.5cm 30": 76"/192cmX33.1"/84cmX14.4"/36.5cm
Gross Weight:	26": 93lbs/44, 28": 97lbs/44kg, 30": 101lbs/46kg



Natural Color

Product Code: SAT1+LA



+\$10 USD for added value

Walnut Color

Product Code: SAT3+LA

Accessories:

- Ultra soft deluxe face cushion
- Contoured Arc-base face cradle
- Contoured arm support

Archer - Deluxe

+{Removable Self Adjusting
Flexible Armrest}

- Product Code: SAD+FA

A premium spa treatment style massage table with height adjustment, open storage, and a tilting backrest & leg rest.

Standard Features:

- 5 Year Limited Warranty
- 4 tilting sections
- Squared corners
- An open storage shelf
- Headrest outlets on both-ends
- European beech wood
- Strong pneumatic lift controlled backrest and leg rest
- Easy single-knob for height adjustment
- Skin-touch Luxurious PU upholstery
- 3.5"/9cm thick multi-layered Soft-foam system
- Knock-down packaging with simple assembly
- Both end removable self-adjusting and flexible armrests

Specifications:

Max weight capacity:	600lbs/270kg
Static weight capacity:	4000lbs/1815kg
Length:	72.5"/184cm (table top), Including headrest 83"/211cm
Width:	26"/66cm, 28"/71cm, 30"/76cm available
Weight range:	26": 92.5lbs/42kg, 28": 99lbs/45kg, 30": 103.5lbs/47kg
Height range:	24.2"/61.5cm~33"/84cm
Package Size:	26": 74"/188cmX29"/74cmX14.4"/36.5cm 28": 76"/192cmX31.1"/79cmX14.4"/36.5cm 30": 76"/192cmX33.1"/84cmX14.4"/36.5cm
Gross Weight:	26": 112lbs/51kg, 28": 117lbs/53kg, 30": 121lbs/55kg



Accessories:

- Ultra soft deluxe face cushion
- Contoured Arc-base face cradle
- Contoured arm support



Natural Color

Product Code: SAD1+FA



+\$10 USD for added value

Walnut Color

Product Code: SAD3+FA

A premium spa treatment style massage table with height adjustment, open storage, and a tilting backrest & leg rest.

Archer - Deluxe

+{Removable Self Adjusting Levelled Armrest}

- Product Code: SAD+LA

Standard Features:

- 5 Year Limited Warranty
- Squared corners
- An open storage shelf
- Headrest outlets on both-ends
- European beech wood
- Knock-down packaging with simple assembly
- Both-end removable self-adjusting level armrest
- Strong pneumatic lift controlled back and leg rest
- Easy single-knob for height adjustment
- Skin-touch Luxurious PU upholstery
- 3.5"/9cm thick multi-layered Soft-cushion system

Specifications:

Max weight capacity:	600lbs/270kg
Static weight capacity:	4000lbs/1815kg
Length:	72.5"/184cm (table top), Including headrest 83"/211cm
Width:	26"/66cm, 28"/71cm, 30"/76cm available
Weight range:	26": 92.5lbs/42kg, 28": 99lbs/45kg, 30": 103.5lbs/47kg
Height range:	24.2"/61.5cm~33"/84cm
Package Size:	26": 74"/188cmX29"/74cmX14.4"/36.5cm 28": 76"/192cmX31.1"/79cmX14.4"/36.5cm 30": 76"/192cmX33.1"/84cmX14.4"/36.5cm
Gross Weight:	26": 112lbs/51kg, 28": 92.6lbs/42kg, 30": 97lbs/44kg



Accessories:

- Ultra soft deluxe face cushion
- Contoured Arc-base face cradle
- Contoured arm support



Natural Color

Product Code: SAD1+LA



+ \$10 USD for added value

Walnut Color

Product Code: SAD3+LA

A spa style stationary table with height adjustments and sliding cabinet doors for convenient storage.

Kaiser - Flat

- Product Code: SKF

Standard Features:

- 5 Year Limited Warranty
- Sliding cabinet doors
- Headrest outlets on both-ends
- European beech wood
- Knock-down packaging with simple assembly
- Flat table top with rounded corners
- Double leg-lock knobs offer extra safety
- Skin-touch Luxurious PU upholstery
- 3"/7.5cm thick multi-layered Soft-foam system

Specifications:

Max weight capacity:	1000lbs/454kg
Static weight capacity:	4000lbs/1815kg
Length:	72.5"/184cm (table top), Including headrest 83"/211cm
Width:	28"/71cm, 30"/76cm available
Weight range:	28": 88lbs/40kg, 30": 95lbs/43kg
Height range:	26"/66cm~35.5"/90.5cm
Shipping Weight:	95lbs/43kg~101lbs/46kg
Shipping Dimension:	74"/188cmX33"/84cmX16"/41cm
Package Size:	28": 75"/190cmX30"/76cmX13.8"/35cm 30": 75"/190cmX31.9"/81cmX13.8"/35cm
Gross Weight:	28": 130lbs/59kg, 30": 157lbs/71kg



Natural Color

Product Code: SKF1



+ \$10 USD for added value

Walnut Color

Product Code: SKF3

Accessories:

- Ultra soft deluxe face cushion
- Exclusive contoured Arc-base face cradle
- Contoured arm support

Kaiser - Tilt

- Product Code: SKT

A tilting backrest spa massage table with height adjustment and sliding cabinet doors for convenient storage.

Standard Features:

- 5 Year Limited Warranty
- Rounded corners
- Sliding cabinet doors
- Headrest outlets on both-ends
- European beech wood
- Knock-down packaging with simple assembly
- Optional armrests(flexible and leveled armrests)
- Strong pneumatic lift controlled backrest
- Double leg-lock knobs offer extra safety
- Skin-touch Luxurious PU upholstery
- 3"/7.5cm thick multi-layered soft cushion system

Specifications:

Max weight capacity:	1000lbs/454kg
Static weight capacity:	4000lbs/1815kg
Length:	72.5"/184cm (table top), Including headrest 83"/211cm
Width:	28"/71cm, 30"/76cm available
Weight range:	28": 105lbs/53kg, 30": 112lbs/56kg
Height range:	26"/66cm~35.5"/90.5cm
Shipping Weight:	123lbs/56kg~130lbs/59kg
Shipping Dimension:	74"/188cmx33"/84cmX16"/41cm
Package Size:	28": 74"/188cmX31.5"/80cmX17.7"/45cm 30": 74"/188cmX33.5"/85cmX17.7"/45cm
Gross Weight:	28": 123lbs/56kg, 30": 130lbs/59kg



Accessories:

- Ultra soft deluxe face cushion
- Exclusive contoured Arc-base face cradle
- Contoured arm support
- Additional rectangular headrest
- Neck pillow

Natural Color



SKT1-FA

SKT1-LA

Walnut Color

+ \$10 USD for added value



SKT3-FA

SKT3-LA

Kaiser - Deluxe

- Product Code: SKD

A spa table with height adjustments, sliding cabinet doors, tilting backrest and leg rest.

Standard Features:

- 5 Year Limited Warranty
- Rounded corners
- Sliding cabinet doors
- Headrest outlets on both-ends
- European beech wood
- Knock-down packaging with simple assembly
- Optional armrests(flexible and leveled armrests)
- Strong pneumatic lift controlled back and leg rest
- Double leg-lock knobs offer extra safety
- Skin-touch Luxurious PU upholstery
- 3"/7.5cm thick multi-layered Soft foam system

Specifications:

Max weight capacity:	600lbs/270kg
Static weight capacity:	4000 lbs/1815kg
Length:	72"/184cm (table top), Including headrest 83"/211cm
Width:	28"/71cm, 30"/76cm available
Weight range:	28": 112lbs/51kg, 30": 119lbs/54kg
Height range:	25.4"/64.5cm~34"/87cm
Package Size:	28": 76"/192cmX31.1"/79cmX14.4"/36.5cm 30": 76"/192cmX33.1"/84cmX14.4"/36.5cm
Gross Weight:	28": 132lbs/60kg, 30": 139lbs/63kg



Natural Color



SKD1-FA

SKD1-LA

Walnut Color

+ \$10 USD for added value



SKD1-FA

SKD1-LA

Accessories:

- Ultra soft deluxe face cushion
- Contoured Arc-base face cradle
- Contoured arm support
- Additional rectangular headrest
- Neck pillow

Vida - Flat

- Product Code: SVF5

The Vida Series are our line of standard stationary massage tables with precision welded steel frames, intended for economic utility and reliability.

Specifications:

Max weight capacity:	600lbs/270kg
Static weight capacity:	3500lbs/1590kg
Length:	72.8"/185cm (table top)
Width:	28"/71cm, 30"/76cm, 32"/81cm available
Weight range:	28": 66lbs/30kg, 30": 72.7lbs/33kg, 32": 77lbs/35kg
Fixed height:	30.7"/78cm
Cushion:	2"/5cm thick multi-layered Soft-foam system
Upholstery:	Standard PVC upholstery
Package Size:	28": 74"/189cmX31.5"/80cmX10.6"/27cm 30": 74"/189cmX33.5"/85cmX10.6"/27cm 32": 74"/189cmX36"/91cmX10.6"/27cm
Gross Weight:	26": 57.3lbs/26kg, 28": 62lbs/28kg, 30": 66lbs/30kg



Vida - Tilt

- Product Code: SVT5

The Vida Series are our line of standard stationary massage tables with precision welded steel frames, intended for economic utility and reliability.

Specifications:

Max weight capacity:	600lbs/270kg
Static weight capacity:	3500lbs/1590kg
Length:	72.8"/185cm (table top)
Width:	28"/71cm, 30"/76cm, 32"/81cm available
Weight range:	28": 66lbs/30kg, 30": 72.7lbs/33kg, 32": 77lbs/35kg
Fixed height:	30.7"/78cm
Cushion:	2"/5cm thick multi-layered Soft-foam system
Upholstery:	Standard PVC upholstery
Package Size:	28": 74"/189cmX31.5"/80cmX10.6"/27cm 30": 74"/189cmX33.5"/85cmX10.6"/27cm 32": 74"/189cmX36"/91cmX10.6"/27cm
Gross Weight:	26": 57.3lbs/26kg, 28": 62lbs/28kg, 30": 66lbs/30kg



Portable Massage Chairs





Product Code: PC52

MS05 Chair

The MS05 chair is simple, lightweight and comfort. It is both the best selling and most economic chair in our line. The specially designed chest pad is suitable for both masculine and feminine body shapes. In a folded state the MS05 chair is easily transported or stored. Fully adjustable, the MS05 chair's height, armrest angle, chest pad, seat pad, and face cradle are all customizable



Product Code: PC51

Specifications:

- Working capacity: 350lbs/159kg
- Product weight: 16.7lbs/7.6kg
- Upholstery: Skin-touch PU Upholstery
- Cushion: 2"/5cm double layer foam system
- Options: Carrying case with wheels



Product Code: PC71

MS07 Chair

Adjustable Professional Massage Chair

Like the MS05 chair, the MS07 chair offers all the same functionality and the two are even based on the same aluminum frame. The MS07, however, has 0.5" more foam which provides clients with superior comfort. In a folded state the MS07 chair is easily transported or stored. The removable super soft sternum pad and a glasses pouch are also added for convenience and value



Product Code: PC72

Specifications:

- Working capacity: 350lbs/159kg
- Product weight: 17.6lbs/8kg
- Upholstery: Skin-touch PU Upholstery
- Cushion: 2.5"/6.5cm double layer foam system
- Options: Carrying case with wheels

MS09 Chair

The MS09 Luxe chair is made of aircraft aluminum tube with a thickness of 3mm. The elliptical aluminum tube has stronger hardness and better contrast the streamline product structure.



Product Code: PC91

Specifications:

- | | |
|---------------------|---------------------------|
| • Working capacity: | 350lbs/159kg |
| • Product weight: | 15.5lbs/7kg |
| • Upholstery: | Skin-touch PU Upholstery |
| • Options: | Carrying case with wheels |

MS08 Chair

Adjustable Professional Massage Chair

The MS08 chair is built on a thicker, precision welded aluminum frame with finely upholstered vinyl and soft removable sternum pad. The height, armrest angle, chest pad, seat pad, and face cradle are all adjustable for optimum customization. The MS08 chair features a convenient glasses pouch as well.



Product Code: PC81

Product Code: PC82

Specifications:

- | | |
|---------------------|---------------------------------|
| • Working capacity: | 350lbs/159kg |
| • Product weight: | 18.2 lbs/8.2kg |
| • Upholstery: | Skin-touch PU Upholstery |
| • Cushion: | 2"/5cm double layer foam system |
| • Options: | Carrying case with wheels |

Rio Portable Massage Chair

Specifications

Working capacity: 450 lbs/204kg
Product Weight 24.2lbs/ 11kg

Standard Features

- Lightweight aluminum frame
- Height and angle adjustable armrest shelf
- Height & angle adjustable chest pad
- 6 way adjustable face cradle
- Removable knee support cradle
- All cushion are removable



Royal Blue



Red



Ash





Highly Adjustable



Higher Working Weight



Superior Comfort



Luggage Style Carry Case with Wheels



Female Clients Are No Longer Embarrassed



Adjustable Arm Rest



Removable Kneeling Pad



Adjustable Chest Pad and Face Cradle

Gymlane Portable Massage Chair



Specifications

Working Capacity: 450lbs/204kg
Product Weight 28.6lbs/ 13kg

Standard Features

- Lightweight aluminum frame
- Height adjustable seat pad
- Height and angle adjustable armrest shelf
- Height & angle adjustable chest pad
- 6 way adjustable face cradle
- Removable knee support cradle
- All cushion are removable



Video





Completely Adjustable



Higher Working Weight



Superior Comfort



Ideal for Female Clients



Two-stage Height Adjustment

Adjustable Seat Cushion



Adjustable Arm Rest



Removable Kneeling Pad



Adjustable Chest Pad and Face Cradle

PNG2 Desktop Massage Kit



- PU cover
- Carrying case included
- Foldable massage
- Carton size: 39.5cmx16.5cmx40.0cm



MT02 Mattress Top



- PU cover
- Carrying case included
- Foldable massage
- Carton size: 39.5cmx16.5cmx40.0cm

Massage Stools



MS13-1



MS16S



MS02S



PC61-1



MS14H

Accessories



MS02

Seat: 15.4"/39cm
Height: 18.8"/48cm ~ 24"/61cm
Cushion: 3"/7.5cm



MS02S

Seat: 13.3"/34cm
Height: 18.8"/48cm ~ 24"/61cm
Cushion: 3"/7.5cm



MS02DLX

Seat: 15.4"/39cm
Height: 18.8"/48cm ~ 24"/61cm
Cushion: 2.6"/6.5cm thickness



MS02H

Seat: 15.4"/39cm
Height: 20.8"/53cm ~ 28.7"/73cm
Cushion: 3"/7.5cm



MS01

Seat: 15.4"/39cm
Height: 18.8"/48cm ~ 24"/61cm
Cushion: 3"/7.5cm



MS01H

Seat: 15.4"/39cm
Height: 20.8"/53cm ~ 28.7"/73cm
Cushion: 3"/7.5cm



MS06

Seat: 13.8"/35cm
Height: 19.7"/50cm ~ 25"/63.5cm
Cushion: 3.5"/9cm thickness



MS06D

Seat: 13.8"/35cm
Height: 21"/53cm ~ 27"/67.5cm
Cushion: 3.5"/9cm thickness



MS04H

Seat: 15.7"/40cmX14.2"/36cm
Height: 20.8"/53cm ~ 28.7"/73cm
Cushion: 2"/5cm



MS04

Seat: 15.7"/40cmX14.2"/36cm
Height: 20.8"/53cm ~ 28.7"/73cm
Cushion: 2"/5cm



MS12

Seat: 15.7"/40cmX15.4"/39cm
Height: 20.8"/53cm ~ 26.3"/67cm
Cushion: 2"/5cm



MS12-1

Seat: 15.7"/40cmX15.4"/39cm
Height: 20.8"/53cm ~ 27.1"/69cm
Cushion: 2"/5cm



MS03

Seat: 13"/33 cmX13"/33cm
Height: 19"/48cm
Cushion: 2.2"/5.5cm



MS113

Seat: 16.5"/42cmX16.5"/42cm
Height: 19"/48cm
Cushion: 2"/5cm



MS15

Seat: 16.5"/42cmx15.4"/39cm
Height: 32.7"/83cm ~ 40.2"/102cm
Cushion: 2.6"/6.5cm thickness



MS15D

Seat: 16.5"/42cmx15.4"/39cm
Height: 33.5"/85cm ~ 41"/104cm
Cushion: 2.6"/6.5cm thickness

Accessories



MS13-1

Seat: 15.7"/40cmX15"/38 cm
Height: 20.4"/52cm-27.7"/70.5cm
Cushion: 2"/5cm



MS13D-1

Seat: 15.7"/40cmX15"/38 cm
Height: 21.3"/54cm-28.5"/72.5cm
Cushion: 2"/5cm



MS13-2

Seat: 15.7"/40cmX15"/38 cm
Height: 20.4"/52cm-27.7"/70.5cm
Cushion: 2"/5cm



Video



MS13D-2

Seat: 15.7"/40cmX15"/38 cm
Height: 21.3"/54cm-28.5"/72.5cm
Cushion: 2"/5cm



MS14-1

Seat: 15.7"/40cmX14.2"/36cm
Height: 20.8"/53cm ~ 28.7"/73cm
Cushion: 2"/5cm



MS14D-1

Seat: 15.7"/40cmX14.2"/36cm
Height: 21.3"/54cm-28.5"/72.5cm
Cushion: 2"/5cm



MS14-2

Seat: 15.7"/40cmX15.4"/39cm
Height: 20.8"/53cm ~ 26.3"/67cm
Cushion: 2"/5cm



Video



MS14D-2

Seat: 15.7"/40cmX15.4"/39cm
Height: 21.3"/54cm-28.5"/72.5cm
Cushion: 2"/5cm



MS13H

Seat: 15.7"/40cmX15"/38 cm
Height: 21.3"/54cm-28.5"/72.5cm
Cushion: 2"/5cm



MS14H

Seat: 15.7"/40cmX15"/38 cm
Height: 21.3"/54cm-28.5"/72.5cm
Cushion: 2"/5cm



MS13-1

Seat: 15.7"/40cmX15"/38 cm
Height: 20.4"/52cm-27.7"/70.5cm
Cushion: 2"/5cm



MS14-2

Seat: 15.7"/40cmX15"/38 cm
Height: 20.4"/52cm-27.7"/70.5cm
Cushion: 2"/5cm



Yoga Stool

Product Size: 17"/43.6cmX
24.5"/62.3cmX15.6"/39.7cm
Foam Thickness: 3.6 cm



PC31/PC35 Posture Chair



Model: PC31

- Six Gears Manually Seat Height
- Metal Frame

Model: PC35

- Six Gears Manually Seat Height
- Metal Frame

PC11/PC11 Mini Posture Chair



Model: PC11

- Adjustable Seat Height
- For Adults

Model: PC11-Mini

- Adjustable Seat Height
- For Age Lower than 16





PC21 Posture Chair

Model: PC21

- PVC/Beech wood Frame
- Casters with wheels

PC61-1 Posture Chair

Model: PC61-1

- PVC/Metal frame
- Pneumatic height adjustment
- Casters with wheels



PC61-2 Posture Chair

Model: PC61-2

- PVC/Metal frame
- Pneumatic height adjustment
- With no wheels



PC61-3 Posture Chair

Model: PC61-3

- PVC/Metal frame
- Pneumatic height adjustment
- Casters with wheels



PC61-4 Posture Chair

Model: PC61-4

- PVC/Metal frame
- Pneumatic height adjustment
- With no wheels



Accessories



MB14



MB01B



MB18



MB09



MB30



MB03B



MB20



MB25



Pillows & Support

#8
Small semi round bolster
 (Product code: MB08)
 6" X 3" X 13" (15cm X 7.5cm X 33cm)

#1
Medium full round bolster
 (Product code: MB01)
 Φ6" X 25" (Φ15cm X 63cm)

#4
Cloud-soft round bolster
 (Product code: MB04)
 Φ8" X 28" (Φ20cm X 71cm)

#7
Medium semi-round bolster
 (Product code: MB07)
 6" X 3" X 25"
 (15cm X 7.5cm X 63cm)

#9
Neck contour bolster
 (Product code: MB09)
 14.5" X 9.5" X 3.5"
 (36cm X 24.5cm X 9cm)

#5
The Venus feminine cushion
 (Product code: MB05)
 18" X 25.5" X 4" (46cm X 65cm X 10.5cm)

#3
Large semi-round bolster
 (Product code: MB03)
 9" X 4.5" X 25"
 (22.5cm X 11cm X 63cm)

#6
Large full round bolster
 (Product code: MB06)
 Φ9" X 25" (Φ22cm X 63cm)

#1C
Mid-size Round Bolster
 (Product code: MB01C)
 Φ5.5"×21" (Φ14cm X53cm)

#1B
Short Round Bolster
 (Product code: MB01B)
 Φ6"×12" (Φ15cm X 31cm)

#3B
Large semi-round bolster
 (Product code: MB03B)
 9"×4.5"×21" (Φ22.5cm X11cm X 53 cm)

#7C
Medium semi-round bolster
 (Product code: MB07C)
 6.5"×3.5" x 21" (Φ16.5cm X 8.9cm x 53cm)

#30
Square Pillow
 (Product code: MB30)
 6"×4"×21" (Φ15cm X10cm X 53 cm)

#19
Extra Large 3/4-round Bolster
 (Product code: MB19)
 8"×6"×26" (20cmX15cmX66cm)



#10

Triangular backrest cushion
(Product code: MB10)

19.5" x 10" x 27" (50cm X 25cm X 68cm)

#12

Spire bolster

(Product code: MB12)

8.5" X 7" X 25" (22.5cm X 18cm X 63cm)



#11

3/4-round bolster

(Product code: MB11)

6" X 5" X 26" (15cm X 13cm X 66cm)

#13

Side armrest bolsters

(Product code: MB13) 5" X 26" (12.5cm X 66cm)

These lightweight easy-to-install armrest bolsters add approximately 10 inches to the width of your table. They connect with Velcro and have three nylon web straps, each with a cinch connector, to keep them in place. They are filled with environmentally-friendly non-CFC foam.

Minimum order of 50pcs





#14

Model: MB14

Our MB14 cushion for pregnant women and obese individuals features six cushion pads that combine to provide complete support. The cushion has cut-outs for female breasts and a large cut-out for the stomach and lower abdomen of pregnant women. The foam is engineered with three layers for maximum comfort, and the cushion comes equipped with a 6-way adjustable face cradle and side armrests. This cushion is the ultimate solution for anyone seeking to alleviate body pain and discomfort.



#16

Model: MB16

MB16 is the perfect cushion for individuals seeking maximum comfort and support. With two separated cushions for legs and ankles and three-layer foam construction, it ensures lasting relaxation. Although it doesn't have side armrests, Product 3 is an excellent solution for those seeking relief from body pain or discomfort, including pregnant women and individuals struggling with obesity.



#15

Model: MB15

MB15 is the ultimate cushion for anyone seeking comfort and support. Featuring three-layer foam construction covered by a durable PU cover, it's designed to last. The unique cut-out design accommodates both male and female users with abdominal obesity, and the cushion includes two separated cushions for legs and ankles, providing an added layer of relaxation. Whether you need relief from body pain or just want to improve your comfort level, This cushion has got you covered.



#17

Model: MB17

Introducing our single-piece MB17 cushion, it features two cut-outs on foam corresponding to the position of female breasts, providing maximum comfort during massages. Its versatile design also makes it suitable for men with larger bellies. Covered with a high-quality PU cover, this cushion is both durable and easy to clean.



#20

Model: MB20

Introducing our MB20 cushion designed for those with a fuller breasts or a larger belly. With a square-shaped foam cut-out and a filler for reduced pressure, MB20 provides comfort and support during massages. It features a single layer of foam and includes a chest pad, belly pad, two leg-rests, and breast filler. Whether you're looking for relief from body pain or seeking a comfortable sleeping solution, Product 4 is perfect for you.



#18

Model: MB18

This is a folding pad with four 50cm x 90cm cushions connected together, filled with 5cm thick high density foam for body support. It measures 200cm x 90cm x 20cm when folded and has handles, a breath hole, and filler for convenience. Great for massage, yoga, camping, or play.

New Standard Face Cushion



Model: MB25

The new standard face cushion revolutionizes the industry standard. What used to be a standard foam mold, is now etched out in the shape of an oval to create a more pleasant experience for the client. The new shape is more comfortable for the client as it allows for greater surface contact with the cushion. The new standard face cushion also has slotted foam to allow for greater air flow.



Innovative Mold Design



Model: MB24
MB24 Ayurvedic Liquid-go Head Cushion

MB24 Ayurvedic Liquid-go Head Cushion is a specially designed cushion for use during Ayurvedic massage. It features a diversion groove to guide excess oil out of the cushion and is made with oil and water-proof PU upholstery for easy cleaning. The ergonomic design provides comfortable support for the head and neck during the massage, making it a practical and comfortable solution for Ayurvedic massage.



Model: MB25-2
Memory Foam Face Cushion

The MB25-2 crescent face cushion made of memory foam provides several advantages for use on a massage table: comfortable support, pressure relief, durability, allergy-friendly, and vibration and sound absorption. Overall, the MB25-2 crescent face cushion made of memory foam is an excellent choice for use on a massage table, providing comfortable and supportive pressure relief, durability, allergen resistance, as well as vibration and sound absorption.



Model: MB27
MB27 La-firm Face Cushion

The MB27 La-firm Face Cushion is a versatile crescent-shaped cushion that is compatible with La-firm massage tables and can be used with other massage tables as well. It is constructed with a self-skin injected memory foam interior and is covered with a standard PU/PVC cover. At a thickness of 7cm, this cushion provides a comfortable and supportive surface for the face during massages.



Model: MB28
MB28 Breath-hole Pillow

Enhance your massage experience with our soft and durable square cushion. It fits snugly over the breath hole of the massage table, providing a comfortable resting place for the client's head in the face-up position. Breathe easily and relax comfortably with our must-have accessory.



Music Face Cushion
Item Code: MB25-Music

MB25-Music Face Cushion, built-in dual stereo speakers, creating a rich and immersive sound that is perfect for massage therapy. This unique Music Face Pillow headrest for massage table and bed provides realistic sound quality for complete relaxation during the massage.



Removable & Rechargeable Controller

12 Hour Charge

Lowered Arm Rests



Reinforced Arm Sling (Product Code: AM3)

A traditional method for arm support, the Reinforced Arm Sling is easy to use, lightweight, and economic.



Standard Arm Support (Product Code: AM4)

Our wider, fully adjustable Standard Arm Support is built with thick foam thereby more Comfort for most clients.



Table Extension (Product Code: Ext1)

Increase the length of the table by 4 inches and fold the extenders inward for easy storage.

Patented Contoured Arm Support (专利产品 仿冒必究) (Product Code: AM2)

Our newly designed Contoured Arm Support is also fully adjustable and built with thick foam for added comfort but with a fresh ergonomic shape where arms and hands are intuitively and healthfully supported. What's more is that this new support is foldable for easy storage and transport.



Porta-Shelf (Product Code: CPS2)

Our Porta-Shelf option with a light nylon mesh hammock design is available on most every portable table we build and works especially well with wooden frames. Bolsters, cushions, sheets and other accessories can all be conveniently stored in place of a cabinet or cart.



Arm Support for Vitae Massage Table (Product Code: AM1)

The AM1 Arm Support is a stable and comfortable accessory designed for Luban Vitae Tables. With 1.5 inch foam padding and sturdy 18mm plywood base, it provides excellent support for clients' arms during treatments. Two aluminum poles easily insert into Vitae table legs for a secure fit.

Standard Face Cradle

This face cradle features a 6-way adjustment system and is made of sturdy aluminum. It comes with two $\phi 0.8$ inch poles that are 8 inches apart, suitable for most massage table brands. The crescent-shaped plate is constructed with durable nylon material. Ideal for massage therapists who need a reliable and adjustable face cradle to enhance their clients' comfort during treatments.



Product Code: HR11



Product Code: HR12



Product Code: HR41



Product Code: HR42

This is an arched face cradle support that comes with a crescent-shaped face cradle plate, suitable for use with various round or square face cushions. It offers greater flexibility and adapts to clients' different facial contours, featuring 6-way adjustment and an aluminum alloy frame. Perfect for massage therapists who require an adjustable and versatile face cradle support that provides maximum comfort during treatments.

Product Code: HR61

This is the HR61 face cradle support, made entirely of wood and designed with a world-standard 8-inch tube spacing for compatibility with various types of massage tables. It is sturdy and durable, yet affordable, although it does not allow for height or angle adjustment. Ideal for those who require a simple and reliable face cradle support without the need for adjustments.



Product Code: HR02

This is the HR02 Simplicity face cradle, featuring 4-way adjustment to meet basic massage needs. It is supported by high-strength nylon material and can withstand a working load of up to 35kg. The front is designed with a curved shape to better wrap around the user's face, providing excellent facial support during treatments. Ideal for massage therapists looking for a simple and durable face cradle that offers reliable support for clients.





Single-Bottle Oil Holster (Product code: CB61)

Key Features:

This convenient holster holds your oil bottle and keeps it within hands reach at all times. With an adjustable strap you can hang it on your shoulder or wrap it around your waist. The holster holds ones 6oz bottle and comes free with one promotional 6oz pump bottle. Available in black, navy, teal, purple and red. 1Pcs/Pack; Minimum order is 100 packs/black; 500 packs/all other colors



Double-Bottle Oil Holster (Product code: CB71)

Key Features:

This convenient holster holds your oil bottle and keeps it within hands reach at all times. With an adjustable strap you can hang it on your shoulder or wrap it around your waist. The double pockets hold two 6oz bottles and comes free with two promotional 6oz pump bottles. Available in black, navy, teal, purple and red.

1Pcs/Pack; Minimum order is 100 packs/black; 500 packs/all other colors



Foot Pad for Aluminum Table

TAFP1

Product Code: TAFP1

Foot Pad is made of reinforced nylon with PVC hard bottom and carrying bag, so it's strong enough to stablish the massage table in lawn or soft ground.4pcs/set



Carrying Cases for Tables



Economic Carrying Case
(Product Code: CB0)

Comes equipped with a sturdy shoulder sling.



Standard Carrying Case
(Product Code: CB1)

Comes with handles, shoulder sling, and front pocket for storage.



Deluxe Carrying Case
(Product Code: CB4)

Comes with handles, shoulder sling, and four front pockets for storing oil, tools, a bolster, and sheets.

Wheeled Case for Tables

Adding wheels to any case makes transport a breeze and significantly reduces back pain.



Standard Case with Wheels
(Product Code: CB1W)



Standard Case with Wheels
(Product Code: CB4W)

Carrying Case for Massage Chairs

Please confirm the size or inform the type of massage chair when purchasing



Carrying Case for Chairs
(Product Code: CB2)



Wheeled Case for Chairs
(Produce Code: CB2W)

Table Carts



Table Cart
(Product Code: TC01)

Use this table cart to transport your massage table easily and safely to your clients. No assembly or difficult instructions to deal with. Available in black. The universal table cart fits all sizes of cushioned table



EasyGo Table Cart
(Product Code: TAEG01)

With solid maple plate, 4 castors and elastic bond, easygo table cart can take your massage table wherever you want.

Massage Oil & Cream Warmer





Video



Single Oil Bottle Oil Heater Product Code: HOH2

- 20 Minutes Quick Heating
- Precise Temperature Control
- Fahrenheit and Celsius Switchable
- Real Time Temperature Display
- Free Massage Oil Bottle



Three Oil Bottle Oil Heater Product Code: HOH4

- Temperature independent control
- 20 Minutes Quick Heating
- Precise Temperature Control
- Fahrenheit and Celsius Switchable
- Real Time Temperature Display
- Free Massage Oil Bottle



Video



Three Bottles Massage Oil Warmer III
Product Code: HOH6

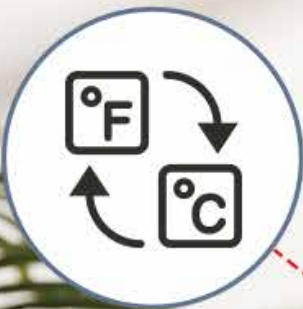
- Independent Temperature Control
- 20 Minutes Quick Heating
- Precise Temperature Control
- Fahrenheit and Celsius Switch
- Real Time Temperature Display



Single Bottle Massage Oil Warmer III
Product Code: HOH7

- 20 Minutes Quick Heating
- Precise Temperature Control
- Fahrenheit and Celsius Switch
- Real Time Temperature Display

Switching between Fahrenheit and Celsius



High Density Electric Heating Wire



Precise Temperature Setting



Precise Real Time Temperature Display

Silver Single Bottle Massage Oil Warmer IV

Product Code: HOH5

- 20 Minutes Quick Heating
- Fahrenheit and Celsius Switch
- Precise Temperature Control
- Real Time Temperature Display



Massage Centers



Spas



Aromatherapy



Yoga Sessions



Physical Therapy

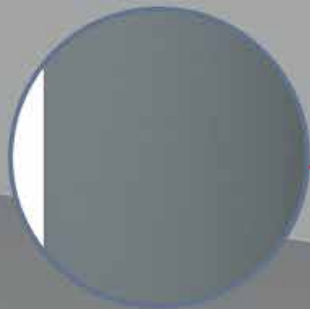


Home Use



6 Ounce Free Massage Oil Bottle

ABS Case



Temperature Control Switch



Temperature Display Screen



Single Bottle Massage Oil Warmer

(Product Code: HOH1)

The Mt Massage Single-Bottle Oil Warmer keeps lotions, oils, and creams at a consistent 140 degrees for a comfortable massage experience. Its durable, easy-to-clean design accommodates standard 8oz bottles and has an auto-shut off feature for safety. Compact and portable, it's a must-have for any spa industry professional.



Video



Three Bottle Massage Oil Warmer

(Product Code: HOH3)

The Master Massage Three-Bottle Oil Warmer is a sleek and innovative solution for warming massage oils, lotions, and creams. With individual removable bottles and five temperature settings, it heats up quickly and maintains a consistent temperature for maximum comfort. Durable and easy to clean, it comes with a 1-year warranty and is perfect for spa industry professionals.

Towel Warmer:

(Product code: MJH23)



Single-door Towel Cabinet(23L)

Key Features:

The Single-door Towel Cabinets has a capacity of 72, (12" x 12") wash cloths. Rust-proof aluminum interior, maintains an internal temperature of 70~80 degree Celsius. Comes with 2 shelves and a condensation collector tray to remove excess moisture. Silicon door seal is ideal for heat retention and quiet operation. 110V and 230V available, will work with UK, European and US outlets.

Minimum order of 50pcs



Specifications:

Outer size(mm):L450×W285×H357
 Inside size(mm):L375×W185×H250
 Inside temp.: 70~80 C

Power: 250W
 Net Weight : 6.2kgs
 CE Certificated

(Product code: MJH35)



Double-door Towel Warmer(35L)

Key Features:

The Double-door Towel Cabinet has a capacity of 48 handtowels. Interior maintains temperature control of 70~80 degree Celsius. Comes with 2 shelves and a condensation collector tray to remove excess moisture. It's perfect for your salon or spa. Large capacity bins will hold manicure size towels or regular facial towels. Temperatures may vary. 110V and 230V available; will work with UK, European and US outlets.

Minimum order of 50pcs



Specifications:

Outer size (mm) : L410×W425×H446
 Inside size (mm): L330×W318×H145
 Inside temp.: 70~80 C

Power: 360W
 Net Weight: 9.8kgs
 CE Certificated

Disposable Non-woven Roll



(Product Code: CWJ1)

Key features:

Non woven couch rolls, can be installed on either side of the table through our Rollholder. 60cm wide. Each roll is 40 meters long (include 20 pieces), Asepsis is used to avoid bacterial infection and anaphylaxis of the body. Whilst avoiding unnecessary laundry. White color available.

40 Meter/Roll/10 roll/box

MOQ: 10boxes

Paper Roll Holder



(Product Code: CZJ1)

Key Features:

Paper Roll Holder conveniently fits in the head or foot outlet in order to add the luxury of a disposable paper roll to any portable or stationary massage table. It can hold the disposable paper roll sizes 65cm, 70cm and 75cm in width.

1pc/pack [MOQ: 50packs](#)

Disposable Fitted Headrest Cover



(Product Code: CWZ2)

Key Features:

Elastic design for fitted disposable headrest cover to wrap the face cushion perfectly. Asepsis to avoid bacterial infection and anaphylaxis of the body. Professional packing for easy access.

50pcs/box, 18pcs/carton

MOQ: 6cartons

Disposable Breathing Space Cover



(Product Code: CWZ3)

Key Features:

Inexpensive price disposable breathing space cover has a cross nick in the middle which will be suitable to use on any shape of breathing space. Asepsis

is used to avoid bacterial infection and anaphylaxis during breath. Soft and thick non-woven fabric made, white color available.

100pcs/pack [MOQ: 100packs](#)

Disposable Fitted Table Cover



(Product Code: CWC1)

Key Features:

Elastic design for disposable table cover to wrap the table perfectly. Optional for table of length 179~195cm, width 60~76cm. Asepsis to avoid bacterial infection and anaphylaxis of the body. Whilst, avoid unnecessary laundry.

10packs/box [MOQ: 10boxes](#)

Disposable Headrest Cover Piece

(Deluxe Pack of 100)



(Product Code: CWZ1)

Key Features:

- Easy to use, affordable, convenient and soft.
- A great way to cover any face cushion.
- Twice thickness as regular non-woven fabric covers.
- Soft, absorbent medical grade fibre.
- White color available.

100pcs/pack [MOQ: 100packs](#)

Disposable Waterproof Bed Sheets



(Product Code: CTAS01)

Key Features:

The bed sheets are finished with waterproof backing, so it can protect the table surface and foam from moisture and staining. It's perfect for any dry and wet body treatments and any spa services. The product is sanitary for its disposable feature. No laundry from now on!

10pcs/pack, 10packs/box

MOQ: 10boxes

Accessories

Fitted Flannel Face Cover



Fitted Flannel Face Cover (Product Code: CZT4)

Key Features:

This fitted face rest cover is made of pre-shrunk cotton and is double-napped for an extra level of soft, luxurious comfort. Durable elastic ensures long-time use. Made of 95% cotton, it is smooth and soft, giving your clients the feeling they deserve. Machine washable.

4pcs/pack [Minimum order of 50 packs.](#)

Fitted Flannel Table Cover



Fitted Flannel Table Cover (Product Code: CCZ1)

Key Features:

The fitted flannel table cover is made of pre-shrunk cotton and is double-napped for an extra level of soft luxuriousness. Built to withstand the rigors of professional massage treatments and repeated washings, it offers durable elastic and is made of sumptuous 95% combed cotton and designed to fit any portable and stationary massage table up to 32"x75".

1pc/pack [Minimum order of 50 pcs](#)

Flannel Table Cover with Hole



(Product Code: CCZ3)

Key Features:

Designed for tables with breath holes to protect the leather skin. It's made of 90% cotton flannel and 10% terylene, which is soft to touch and comfortable in use. It can be washed and used repeatedly.

1pc/pack [MOQ: 50 packs](#)

Vinyl Table Cover



Vinyl Table Cover (Product Code: CCZ2)

Key Features:

The cover is made of PU vinyl, similar material to our tables. It's specially made for the Ayurvedic tables. It can well protect the tables from water, oils and any other stains. Convenient to clean but can not be washed.

10pcs/box, [MOQ: 5boxes](#)

Deluxe Flannel Sheet Set



Deluxe Flannel Sheet Set (3 pieces Set) (Product Code: C3J1)

Key Features:

Each sheet set consists of a flat sheet, a fitted sheet and a fitted face cover. The flat sheet is generously oversized and measures 61"x100" to work for all your clients. The fitted sheet is hemmed in elastic all the way around for a snug, comfortable fit and will work for tables up to 32" wide. Our fitted face cover is designed for comfort and will protect your headrest from facial oils and makeup. Available in natural, lavender, burgundy and blue.

Fitted Sheet: 7.5" drop – 36" x 78" Flat Sheet: 61"x100"

Face Cover: 15" x 6" One set/package

[Minimum order of 50 sets/natural. 200sets/all the other colors](#)

Universal-Size Micro-fiber Table Cover 2 Piece Set

(Product Code: C2JD1)

Upgrade your massage table with our Universal Size Microfibre Table Cover 2 Piece Set. Includes a table cover and face cushion cover, designed to fit 25" to 32" wide x 80" massage tables. Made of high-quality micro fiber, it is durable, soft, and easy to clean. A versatile accessory that adds comfort and luxury to your massage experience. Available in white, sand, purple, chocolate and blue colors.

1 set/pack, 10 pack/box, MOQ: 10 boxes



Accessories

Microfiber Face Cushion Cover 12 Piece Set



(Product Code: CD12ZT)

Introducing our Microfiber Face Cushion Cover 12-Piece Set, designed for a dignified and luxurious experience. Sized at 13" x 13", they fit most face cushions in the market with elastic to prevent deformation. Suitable for multiple uses, they protect your table's leather and upgrade your clients' experience. Available in white, sand, purple, chocolate and blue colors.

1 pcs/pack, 20 pack/box, MOQ: 50 boxes

Universal-Size Micro-fiber 3 Piece Set



(Product Code: C3JD1)

Upgrade your massage table with our Microfiber Sheet Set, including a flat sheet (61"x100"), fitted sheet (36"x78" with a 7.5" drop), and fitted face cushion cover (15"x6"). Made of high-quality microfiber, this set is durable, soft, and easy to clean. Its universal size fits most massage tables, adding a touch of elegance to your massage space while providing a comfortable experience for your clients.. Available in white, sand, purple, chocolate and blue colors.

1 set/pack, 10 packs/box, MOQ: 30 boxes

Deluxe Flannel Cover for Massage Chair



(Product Code: MSCC01)

Key Features:

Upgrade your massage table with our Microfiber Sheet Set, including a flat sheet (61"x100"), fitted sheet (36"x78" with a 7.5" drop), and fitted face cushion cover (15"x6"). Made of high-quality microfiber, this set is durable, soft, and easy to clean. Its universal size fits most massage tables, adding a touch of elegance to your massage space while providing a comfortable experience for your clients.. Available in white, sand, purple, chocolate and blue colors.

10 set/box, MOQ: 5 boxes

Perfect Fit Vinyl Cover for 28"-31" Table



(Product Code: CCZ4) (Square Corner)

Available in black and beige color.

(Product Code: CCZ5) (Round Corner)

Available in black, beige and agate blue color.

Key Features:

Upgrade your massage table with our Perfect Fit Vinyl Cover, designed to fit 28"-31" wide x 74" length portable and stationary massage tables. This water and oil-resistant cover is backed by a 5-year guarantee and features elastic corners that fit both round and square table corners. It is durable, comfortable, and easy to clean, preventing wear and tear from clients and improper cleaning. Add a professional touch to your setup and enjoy peace of mind knowing your table is well-protected.

10pcs/box, MOQ: 5boxes

Accessories

Fleece Headrest Cover



(Product Code: CYZ1)

Key Features:

Easy to use, and soft to the touch. Offer your clients the luxurious feel of warm and comfort that they can truly appreciate. This fleece headrest cover adds extra comfort to an excellent massage. It will keep your clients warm in the winter. This is a great addition to your table.

1pc/pack [Minimum order of 50 sets](#)

Standard Fleece Sheet Set



Key Features:

(Product Code: CY21)

Synthetic (90% polyester and 10% Acrylic)

The Standard Fleece Pad Set, includes a fitted fleece crescent cover and a fitted table cover. This set adds an extra inch of comfort to your table for your client, secured by elastic corner straps preventing it from slipping during treatments. It will keep your clients warm in the winter. This is a great addition to your table. It fits most table brands. It comes in a natural color.

1 set/pack [MOQ: 50 packs](#)

Deluxe Fleece Sheet Set



Key Features:

(Product Code: CY22)

Synthetic (90% polyester and 10% Acrylic)

This deluxe fleece cover set includes a fitted fleece crescent cover and fitted table cover to add a luxurious feeling to your table, twice the thickness of standard fleece. It has elastic stitched all around the edge for a snug fit and fits tables up to 33" wide. It will keep your clients warm in the winter. It comes in a natural color.

1 set/pack [MOQ: 50 packs](#)

Standard Electric Warmer Pad



Key Features:

(Product Code: CDR1)

This electric warming pad will keep your client comfortably warm during all massage treatments. You can regulate the temperature from low, medium, to high, which makes this product very easy to use. The elastic straps will secure the pad to the table with ease, ensuring treatment success. Most importantly, if the pad overheats, the power will automatically stop to prevent any hazardous events.

1 pc/box [MOQ: 50 boxes](#)

Deluxe Electric Warmer Pad

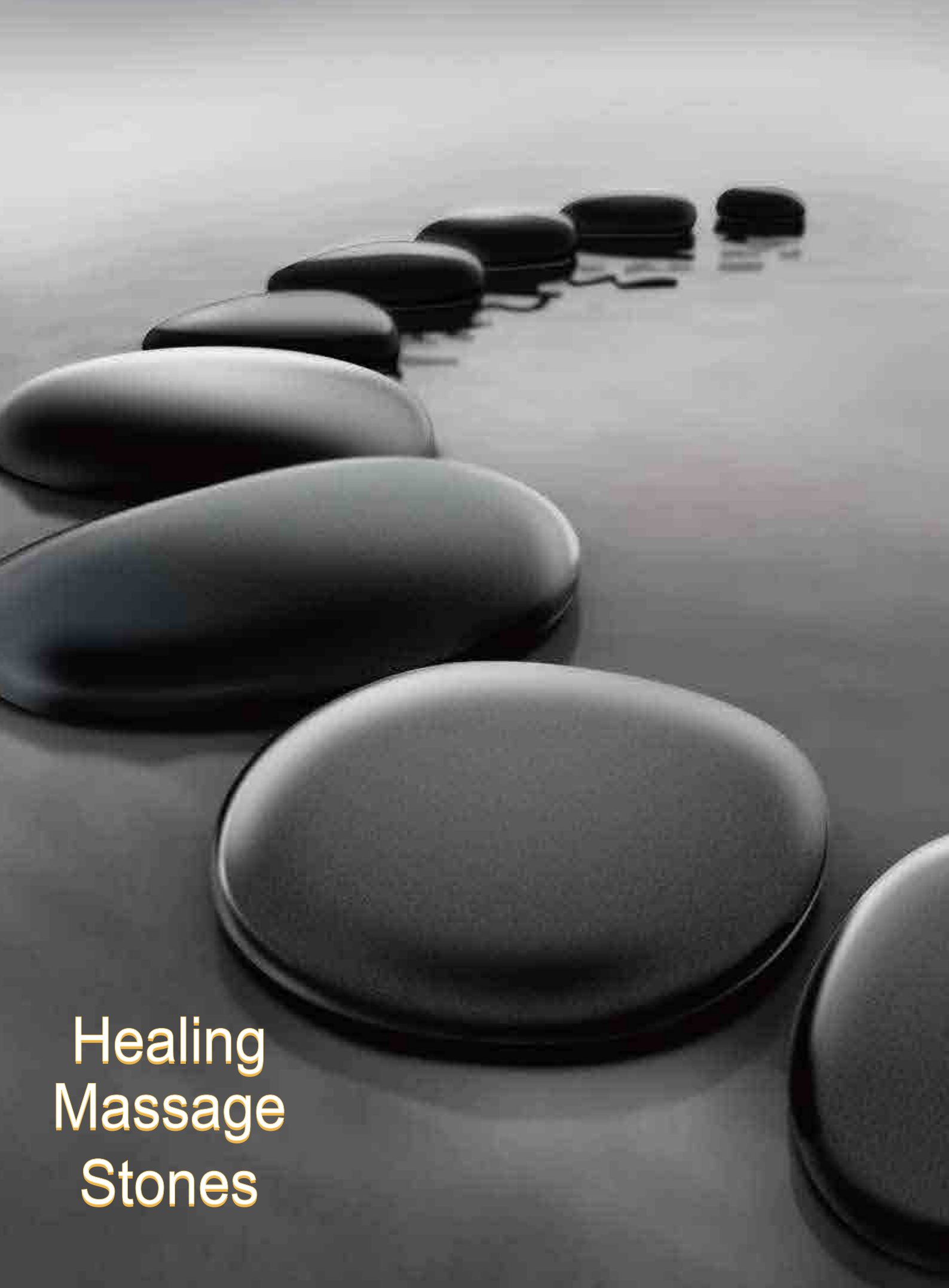


Key Features:

(Product Code: CDR2)

Keeps your client comfortably warm while you receive a massage, 2-year warranty; Timer to shut off the power on time; Infinity variable heat setting source; Elastic straps to secure warmer to table; Safe for upholstery, pillow and coverings; Overhead protection.

1pc/bag [MOQ: 50 bags](#)



Healing
Massage
Stones

HSH12 Multi-Function Massage Stone Heater & Oil Heater

Massage Professional Electric 2IN1 Massage Stone Heater & 3 Bottle Massage Oil & Lotion & Gel Heater-Digital Hot Stone Massage Oil Warmer for Massage Therapy-Multifunctional Heating Equipment Combo for Spa Massage Therapy.



High Performance and Modern Design

This sleek massage oil warmer and massage stone warmer adopts a sturdy 304 stainless steel material as the outer shell, aluminum alloy massage oil heating tube, aluminum alloy heating plate in the massage stone heating area, carbon steel inner pot with enamel rust prevention treatment, and microcomputer-controlled circuit board to ensure long-lasting strength and durability.

Original Temperature: 25°C

10 Minutes Temperature:
Oils: 37°C Stones: 39°C

15 Minutes Temperature:
Oils: 46°C Stones: 46°C

20 Minutes Temperature:
Oils: 52°C Stones: 54°C

30 Minutes Temperature:
Oils: 62°C Stones: 68°C

Massage Stone Heaters

Massage Oil Heaters

15 Minute Rapid Heating

This innovative massage stone warmer design features bottom heating, aluminum alloy heating plates, and a carbon steel inner pot treated with enamel rust prevention. Plus, precise temperature control reduces waiting time significantly so you can focus on your session.

50W Aluminum Alloy Heating Tube

500W Aluminum Alloy Heating Plate

Efficiently Manage and Protect with Partition Management

With our partition management feature, you have full control over the heating areas in your massage setup. The three 50W heating pipes in the massage oil area and the two 500W heating plates in the massage stone area can be individually turned on and off. This gives you the option to heat either the massage oil bottles or the massage stones separately.

HSH12 Multi-Function Massage Stone Heater & Oil Heater



**2IN1 Massage Stone Heater &
3 Bottle Massage Oil Heater**



**Easy Power Control with
One Click**



Digital Temperature Display



**Switch Between Celsius and
Fahrenheit Degrees**



**3 Massage Oil Bottle
Heating Zones**



**Dual Heating Zones for
Massage Stones**



Removable Inner Tank



Upward Flip Top Cover Design



5 Temperature Zones

HSH12 Multi-Function Massage Stone Heater & Oil Heater



Extra Silicon Steamer Shelf



Safety Protection Features



304 Stainless Steel Casing



Product Parameters:

- Two independent heating zones for massage stones from 40°C to 70°C(105-160°F)
- Three Massage Oil Bottle Zones from 40 to 60°C(104-140°F)
- Independent Temperature Control
- Digital Temperature Display Fahrenheit and Celsius Switch
- 15 Minutes Rapid Heating
- Durable 304 Stainless steel outer casing
- Removable inner tank 33*23*18cm
- Product Dimension: 60cm x 38cm x 20cm/ 24" x 15" x 8"
- Product Package: 655*435*255mm

About Basalt Stone

What is Basalt?

Basalt rock is originally found deep within a volcano where it remains for hundreds of million years, gaining all of its natural properties. As the volcano erupts through the earth mantle, the Basalt rock is formed through the lava as it cools rapidly on the earth's surface. This grey-black and fairly lightweight stone has pores on its surface that become smaller and denser towards the centre and a fine-grained, crystalline texture. All basalt is rich with iron and magnesium, which make this stone very effective in massage treatments after being polished, boosting circulation, and relaxation and massage treatments effectiveness.



Key Features:

- Basalt is excellent for holding heat for long period of time, which is essential for massage treatments.
- Basalt is rich in natural properties, boosting circulation.
- Basalt is very low in radiation which makes this rock a much more healthy and beneficial stone to use in health treatments.

Benefits and Effects of Hot & Warm Stone Therapy:

- Increases circulation, facilitating maximum blood for optimum body function.
- Vaso-dilation of blood vessels causing an increase in blood flow around the body.
- Providing important energies to keep the body functioning efficiently.
- Increases the pulse, therefore the heart pumps faster.
- Increases cell metabolism, thereby increasing the rate at which the body processes nutrients and toxins.
- Increase lymphatic function, thereby increasing detoxification, and increasing cleansing and elimination.
- Deep relaxation of muscles, helping to alleviate stress and tension.
- Creates a feeling of balance and harmony.
- Gives the client a deeper sense of relaxation more quickly.
- Less tiring for the therapist.

About White Marble Stone



Key Features:

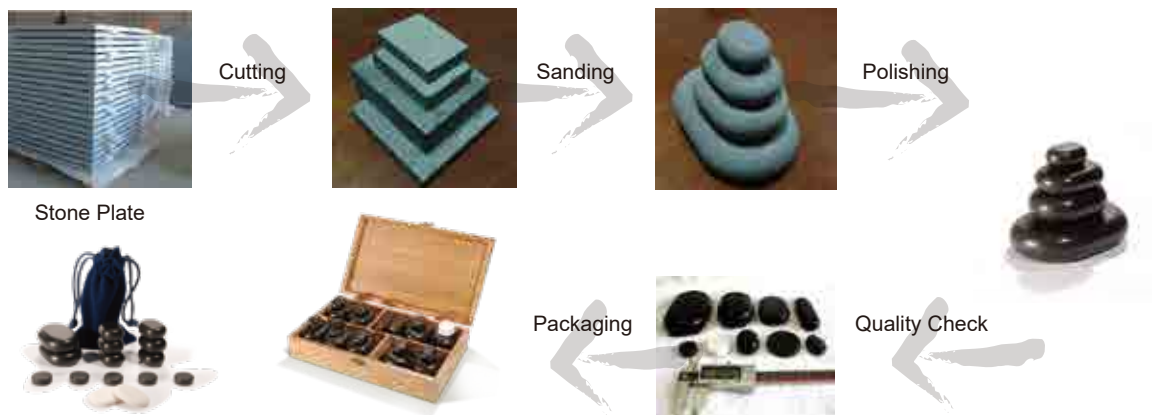
Marble is a naturally cool stone, which is ideal for both cool and freezing massage treatments. They act as a powerful decongestant to help diffuse swelling in the circulatory system and to encourage blood flow away from a swollen area. They are excellent when working on inflammation and sports injuries. Cold stones can also be massaged around the delicate eye area to help relieve puffiness, dark circles and to improve skin tone or used on the sinus areas to relieve pain and congestion. They are also very effective after hot stone treatments to aid with the healing of tissues, and to arouse the client after an intense massage treatment.

How the Stones are Produced

The stones have been processed from the organic grey stone plate, during which it has been cut, shaped and sanded to perfection. Each stone has been made by hand with extensive days spent caring and polishing for each stone, ensuring the high quality polished finish and deep natural coloring. To maintain the care and natural elements of the stones, all of our stones are packed in a natural, handmade bamboo box or a blue velvet drawstring bag.

Caution:

We oppose to use the chemical dye and industrial paraffin materials to paint and polish the basalt. It will pollute your towel and hurt your customer's skin, which is lawless.



Relationship between Holding Heat & Polishing

A good quality polish is the key to ensure that all stones retain heat sufficiently. If a stone is poorly polished, due to lack of time or equipment, then the surface will remain uneven, will not retain heat for the required time and will feel unpleasant to the client. Due to an uneven surface, the client will not have complete contact with the stone, which as a result will lower the significance and the effectiveness of the stone.

If a stone is polished to a very high standard, using high quality techniques and ample time during production, then an efficient, client pleasing stone will be produced. The heat retention of each stone will be significantly higher, enabling the stones to be more beneficial during treatments for both the client and beauty specialist.

High Quality Polishing



2010 High Quality Polishing

Standard Polishing



2006-2009 Standard Polishing

Poor Quality Polishing



Competitors Polishing

Caution:

Sintang is a reliable source for such competitively high quality products, effectiveness and trust, all at economical prices. Some suppliers have been known to use Sintang's photography stone samples, yet have provided clients with their own significantly lower quality stone products.

Flat Ovular Basalt Stones



Key Features:

The Flat Ovular Basalt Stones are the most popular choice of stones used by therapists as not only do they retain heat due to their high polished finish, but they are also the most comfortable and convenient shaped stone to use. The round, elongated shape fits perfectly in the palm of a therapist's hand, ensuring the stone is used efficiently. The rounded, narrower edges can also be used to pressurize and knead particularly tense muscles and areas during treatments. This feature is unique to the Flat Ovular Basalt Stone.



XX-Large Flat Ovular Basalt Stone (15cmX8.5cmX2.7cm)

XX-Large Flat Ovular Basalt Stones are mostly used to warm the body before massage, heating them to forty five degrees to warm areas of such as stomach and haunch and use it as a warm neck pillow.



X-Large Flat Ovular Basalt Stone (11.7cmX7.7cmX2.7cm)

X-Large Flat Ovular Basalt Stones are mostly used to warm the body before massage, heating them to forty five degrees to warm areas of such as stomach and haunch and use it as a warm neck pillow.



Large Flat Ovular Basalt Stone (7.7cmX5.7cmX2.7cm)

Large Flat Ovular Basalt Stones are mostly used for treatments on the backside, stomach, arm, thigh, calf and back of the neck.



Medium Flat Ovular Basalt Stone (6.7cmX4.7cmX1.7cm)

Medium Flat Ovular Basalt Stones are popularly used for the arm, calf, palm of the hands, arch of feet and back of the neck.



Small Flat Ovular Basalt Stone (3.8cmX2.8cmX1.7cm)

Small Flat Ovular Basalt Stones are mostly used for the facial treatments, for areas such as the forehead, crown of the head and hindbrain.

Flat Ovular Basalt Stones



XX-Large Ovular Basalt Stone Pack
4Pcs/box MOQ: 36 boxes
Product code: HXXT4



X-Large Ovular Basalt Stone Pack
4Pcs/box MOQ: 50 boxes
Product code: HXT4



Large Ovular Basalt Stone Pack
8Pcs/box MOQ: 50 boxes
Product code: HLT8



Medium Ovular Basalt Stone Pack
12Pcs/box MOQ: 50 boxes
Product code: HMT12

Flat Circular Basalt Stones



Key Features:

The Flat Circular Basalt Stones are more suitable for a softer, relaxing massage as they have a much larger surface area, which as a result can transfer a larger amount of heat to the body through the fluid motions of the therapist.

X-Large Flat Circular Basalt Stone (φ9.5cmX2.7cm)

X-Large Flat Circular Basalt Stones are mostly used to warm the body before massage, heating them to forty five degrees to warm areas of such as stomach and haunch during massage process.

Large Flat Circular Basalt Stone (φ8cmX2.5cm)

Large Flat Circular Basalt Stones are popularly used for hot massage treatments on client's backside or thigh after heating the stones to fifty five degrees. Or they can also be used at forty five degrees under client's shoulder blade as they lie on their back during a warm massage.

Medium Flat Circular Basalt Stone (φ6cmX1.5cm)

Medium Flat Circular Basalt Stones are mostly used for hot treatments after heating the stones to fifty five degrees. They can be used for massaging your client's arm, calf or even backside of your client.

Small Flat Circular Basalt Stone (φ4.5cmX1.5cm)

Small Flat Circular Basalt Stones are mostly used at fifty five degrees for facial and feet massages.



Large Circular Basalt Stones Pack
6Pcs/box MOQ: 50 boxes
Product code: HLY6



Medium Circular Basalt Stones Pack
10Pcs/box MOQ: 50 boxes
Product code: HMY10



Small Circular Basalt Stones Pack
12Pcs/box MOQ: 50 boxes
Product code: HSY12

Caution:

Care has to be taken when using the hot stones as if the stone is held too long, there may be a risk of harm to oneself. So it is advised that therapists turn over the stones regularly during treatments to ensure constant, comfortable temperatures.

Half-ball Basalt Stones (版权所有 仿冒必究)

Key Features:

Half-ball Basalt Stones are useful to maintain the fluidity of the therapist's motions throughout treatments. The rounded shape is particularly beneficial around particular joints of the body such as the ankle, knee or base of the neck, specific areas which can sometimes be under a lot of strain. The medium and small Basalt Half-Ball Stones both have a unique feature which makes it easier for the therapist to use. On the flat surface, a small dip has been created to allow suction between the stone and the palm of the hand, enabling ease of use and control, especially when using oil based products during treatments.



X Large Half-Ball Basalt Stone (11cmX9cmX3.8cm)

X Large Half-Ball Basalt Stones can be used for hot massage treatments after heating the stones to fifty five degrees. These stones are ideal for massaging your clients back and stomach.

Large Half-Ball Basalt Stone (9cmX6.8cmX2.8cm)

Large Half-Ball Basalt Stones can be used for hot massage treatments after heating the stones to fifty five degrees. These stones are ideal for massaging your clients back, stomach and thigh.

Medium Half-Ball Basalt Stone (7cmX5.6cmX2.8cm)

Medium Half-Ball Basalt Stones are the most useful and popular stones after heating the stones to fifty five degrees. They can be used around all the different areas of the body such as calf, backside, thigh and haunch, especially around the joints such as the ankle, knee or the base of the neck.

Small Half-Ball Basalt Stone (4.5cmX3.6cmX1.5cm)

Small Half-Ball Basalt Stones are one of the most useful and popular stones after heating the stones to fifty five degrees. They can be used specifically on the neck, crown of the head ankle and the feet.

Medium Half-Ball Basalt Pack

2Pcs/box MOQ: 50 boxes

Production code: HMQ2



On the flat surface, a small dip has been created to allow suction between the stone and the palm of the hand, enabling ease of use and control, especially when using oil based products during treatments.

Compressed Basalt Stones (版权所有 仿冒必究)



Compressed Basalt Stones (版权所有 仿冒必究)

Key Features:

Compressed Basalt Stones are as thin as 1~1.5cm, they are good to lay out on the bed before your clients lays down, either face up or face down. It's advised to heat them warm to 45 degree to avoid harm to the client.

Small Round: $\phi 4.5\text{cm} \times 0.8\text{cm}$



Small Ovular Compressed Basalt Stones:

Heat them to a warm temperature and use them for the groin area.

Small Oval: $7.3\text{cm} \times 5.2\text{cm} \times 1\text{cm}$



Medium Compressed Basalt Stones:

Heat them to a warm temperature and place it under the backside when your client is facing up. They can also be used to trace the spine of the client when they are lying down.

Medium Oval: $9\text{cm} \times 7\text{cm} \times 1\text{cm}$



Large Compressed Basalt Stones:

It was designed for heat your clients' upper thigh, hip, and calf when they are lying down. Or they can be used for thigh and upper knee area for when your client is laying face down.

Large Oval: $11.5\text{cm} \times 9.6\text{cm} \times 1.5\text{cm}$



X-Large Compressed Basalt Stones:

Put one piece on the stomach and one piece on the lower-back or haunch whether your client is laying face up or face down. It will bring your client extreme comfort and ease to fall to sleep.

X-Large Oval: $15\text{cm} \times 12.8\text{cm} \times 1.5\text{cm}$



X-large Compressed Basalt Stone Pack

4Pcs/box MOQ: 50 boxes
Product code: HXB4



Large Compressed Basalt Stone Pack

8Pcs/box MOQ: 50 boxes
Product code: HLB8



Medium Compressed Basalt Stone Pack

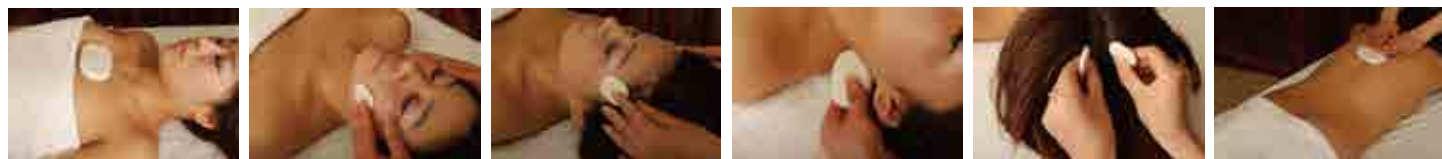
12Pcs/box MOQ: 50 boxes
Product code: HMB12

Ovular White Marble Stones



Standard Features:

White Marble Ovular Stones are used for cool massage treatments. They are ideally used at room temperature as they feel slightly cooler than body temperature, so no additional cooling treatment is needed. White Marble Ovular Stones are popularly used for facial, neck, and palm massage. They are particularly good at reducing puffiness around the eye area. Before the completion of the hot stone massage, the white ovular marble stones are used to refresh and revitalize clients before the end of the massage session. It is advisable that these stones are not used on the bodies joints as they can encourage rheumatism.



Ovular White Marble Stones

Large Ovular White Marble Stone

9.5cmX6.5cmX1.7cm



Medium Marble Ovular Stone Pack

12Pcs/box MOQ: 50 boxes

Product code: HML12

MOQ- Minimum Order Quantity

Medium Ovular White Marble Stone

6.7cmX4.7cmX1.7cm



Small Ovular White Marble Stone

4.2cmX3.2cmX0.7cm



Small Circular White Marble Stone

φ2.9cmX0.8cm



Caution:

It is advisable that these stones are not used on the bodies joints as they can encourage rheumatism.

Muscle Massage Stones



(专利产品 仿冒必究)

Crescent Basalt Stone Pack

Product code: HYY2

2Pcs/box MOQ: 50 boxes



The Crescent Basalt Stone 12.5cmX6cmX2.5cm

The Crescent Basalt Stone is best used during hot massage on the client's leg area. It is popularly used to apply pressure to muscles, releasing tension throughout the massage treatment. Due to the shape it's can over substantial areas of the clients leg, calf, thigh area, whether the client is laying face up or face down.

(专利产品 仿冒必究)

3/4 Round Basalt Stone Pack

Product code: HCY2

2Pcs/box MOQ: 50 boxes



The Three-Quarter Round Basalt Stone 9.5cmX8cmX2.7cm

The Three-quarter Round Basalt stone is best used in hot massage treatments on the backside, stomach, and lower-back heat to relieve muscular tension, especially in the thigh area.



(专利产品 仿冒必究)

Spire Basalt Stone Pack

Product code: HTX2

2Pcs/box MOQ: 50 boxes



The Spire Basalt Stone 15cmX4.5cmX3.5cm

The Spire Basalt Stone is mostly used in hot stone massage, applying heat and pressure to the back and leg areas. Its can be rolled to apply constant contact to the client's body, and it can also be used to knead and relieve particularly tight muscles.



Column Basalt Stone Pack

Product code: HYZ2

2Pcs/box MOQ: 50 boxes

The Column Basalt Stone φ3cmX13cm

The Column Basalt Stone, is popularly used in hot massage treatment on the lower-back and all leg areas. By applying constant and even pressure with the hot stone will relieve any tense muscles with ease.



Pressure Point Stones



(专利产品 仿冒必究)

(专利产品 仿冒必究)

Nail Stone: φ6.3cmX15cm 2Pcs/box MOQ: 50 boxes Product code: HDZ1	Mushroom: φ6.3cmX6.3cm 1Pcs/box MOQ: 50 boxes Product code: HMG1	Ovular Point Stone: 12cmX4cmX2cm 1Pcs/box MOQ: 50 boxes Product code: HJT2	Marble Ovular Stone: 12cmX4cmX2cm 2Pcs/box MOQ: 50 boxes Product code: HBX2	Triangular Stone: 12cmX4.8cmX3cm 2Pcs/box MOQ: 50 boxes Product code: HGZ2
---	--	--	---	--



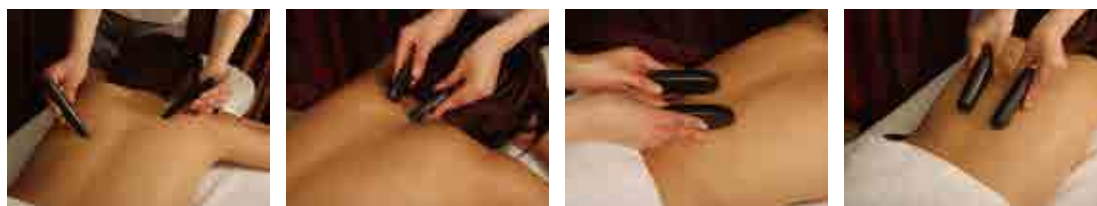
THESE PRESSURE POINT TOOLS ARE PARTICULARLY EFFICIENT ON AREAS OF THE BODY WHERE CERTAIN MUSCLES ARE PARTICULARLY TENSE. ONCE THESE AREAS HAVE BEEN FOUND, THE STONES CAN BE USED TO RELAX AND RELIEVE TENSE MUSCLES BEFORE THE COMPLETION OF THE FULL MASSAGE. THIS WILL RESULT IN A MORE EFFECTIVE MASSAGE TREATMENT AS A WHOLE.

(专利产品 仿冒必究)

(专利产品 仿冒必究)



Leach: 9.5cmX4cmX2.7cm 2Pcs/box MOQ: 50 boxes Product code: HZS2	Pencil: φ1.8cmX12cm 2Pcs/box MOQ: 50 boxes Product code: HQB2	Easy-Hold: φ2.2cmX18cm 2Pcs/box MOQ: 50 boxes Product code: HZJ2	Large Pressure Point : 12cmX4cmX2cm 2Pcs/box MOQ: 50 boxes Product code: HYT2	Minature Pressure Point 8cmX2.8cmX1.8cm 10Pcs/box MOQ: 48 boxes Product code: HXX10
--	---	--	---	---



Multi Function Massage Stone



2Pcs/box MOQ: 50 boxes

Product code: HGS2

The Guasha Stone 12cmX5.7cmX0.6cm

The Guasha Basalt Stone is used in massage treatments to relieve particular areas of tension in the back, using smaller, kneading motions.



Product code: HHM

The Contoured Oval Facial Basalt Stone

5cmX3cmX1cm

Ovular Compressed Stones are used in warm massage to relieve tension on the eye area. This is particularly efficient especially if the client suffers from eye strain on a day to day basis.

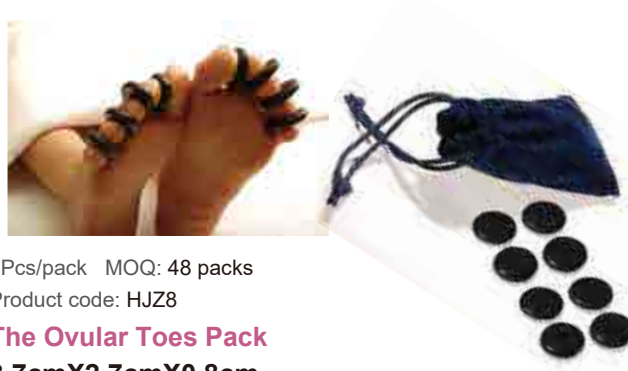


Product code: HBP

The Segment Basalt Stone

9.5cmX3.5cmX0.6cm

The Segment Basalt Stone is used in massage treatments to relieve particular areas of tension in the back.



8Pcs/pack MOQ: 48 packs

Product code: HJZ8

The Ovular Toes Pack

3.7cmX2.7cmX0.8cm

Small Ovular Toe Stones are used in hot massage to relax and relieve tension of the muscular stains in the feet. Each fit comfortably between each toe, providing heat and release to each toe.



Small Circular Facial Basalt Stone

φ2.3cmX0.8cm

Small Circular Facial Stones are used in warm massage to relieve pressure point tensions of the facial muscles.

The Basalt Malteser Stone (专利产品 仿冒必究)



10Pcs/pack MOQ: 50 packs

Product code: HDX10

Malteser Stone(φ4.5cmX2cm)

The Basalt Malteser Stone is highly polished to provide a smooth comfortable use on the body during hot massage. This unique shape enables gentle or intense pressure to be applied in the smaller areas of the body such as around the joints.



Chakra



The Chakra: Product code: H7TC

Chakra uses symbolic stones to balance the energy and harmony of the clients well being. Each stone symbolizes different energies of the body and purify the natural elements; Earth, Water, Fire, Air, Ether, Will and Light.



When the client is facing down, you can use the chakra stones in the areas below:

- Smoky-quartz: On the base of spin
- Red carnelian: Buttocks
- Brown Tiger-eye: Above buttocks and lower back
- Green Jade: Center of the back
- Pink-quartz: Place on the table area close to client's throat;
- Clear-quartz: Place on the table area which is close to the forehead of your client.
- Purple Amethyst: Place on the table area close to client's head



When the client is facing up, you can use the chakra stones in the areas below:

- Smoky-quartz: On the perineum area of the body
- Red carnelian: Lower abdomen
- Brown Tiger-eye: Above navel to chest
- Green Jade: Center of the chest
- Pink-quartz: Put it on throat of your client
- Clear-quartz: Middle of the forehead, signifying the 'third eye'.
- Purple Amethyst: Place it on the table area close to client's head

Stone Heaters



A free wooden spoon

Generally the warm stones massage use stones from 80~110 Fahrenheit/ 45~50 degrees depending on your clients' comfort. The hot stone massage use stones from 120~135 Fahrenheit/ 50~55 degrees depending on your clients' comfort. Before you begin the healing stone session, it's really important for you to be prepared and organized. The first thing you are going to do is to have a source of heat for your stones. I found that having 2 different stone heat sources are better than one because you can use the two different temperatures. You can keep one set at 110 Fahrenheit for the warm stones and the others you can keep at 135 Fahrenheit for your hot stones. This can vary your efficiency and the success of all of your treatments.



Key Features:

- The stone heaters are very easy to use. Fill the bowl with cold water and adjust the temperature desired for your treatment. Maintain the temperature via the temperature gage until your treatment is complete.
- The heater is made of stainless steel, and the lid is made from aluminium, which makes it long lasting, rust free, and over all efficient.
- When you buy this heater, a free additional wooden spoon to remove the stones from the water will be included.

Stone Heaters



Professional Stone Heater 6 Quart

Product code: HSH6 (专利产品 仿冒必究)

Dimensions: 15"X11"X7"

Power: 750 Watt

Volts: 115 or 230 volts available

Plut: US, EU and UK plug available

This professional 6 quart stone heating unit maintains a constant, even temperature so your massage stones are always ready to use. This is an ideal unit for both hot stone massage and warm stone massage.



Professional Stone Heater 18 Quart

Product code: HSH18 (专利产品 仿冒必究)

Dimensions: 22"X14.5"X7.5"

Power: 1420 Watt

Volts: 115 or 230 volts available

Plut: US, EU and UK plug available

This professional 18 quart stone heating unit can be used for a more quantities stone set. It heating unit maintains a constant, even temperature so your massage stones are always ready to use. This is an ideal unit for both hot stone massage and warm stone massage.

Portable Hot Stone Heating Bag



Black

Product Code: HSB-01

Brown

Product Code: HSB-02

Package Contents:

- Portable Stone Heating Bag ×1
- Natural Basalt Massage Stones ×18
- Empty Massage Oil Bottle ×1
- Digital Temperature Controller ×1
- Adjustable Shoulder Strap ×1
- 12V Vehicle Power Adapter ×1
- Used Stone Storage Bag ×1

Features:

Digital Temperature Control with Fast & Even Heating
Multi-Compartment Design for Stones, Oil & Accessories
Extra-Large Capacity Yet Lightweight & Travel Friendly
Perfect for mobile massage therapists, spa professionals
home visits, hotels services, and wellness practitioners.

Chakra Stone Set



(版权所有 仿冒必究)

Chakra Stone Set

(Product Code: H7TC)

Key Features:

We supply Green Jade, Smoky-quartz, Clear quartz, Brown Tiger-eye, Purple Amethyst, Pink-quartz, Red carnelian as our complete Chakra set for energy massage. We also provide a blue velvet drawstring bag for storage.

1 Set/bag **MOQ: 50bags**

Cool Therapy Stone Set



(版权所有 仿冒必究)

6Pcs Mini Facial Marble Stone Set

(Product Code: H6TC)

Specifications:

We supply six small ovular marble stones, for cool stone massage around the facial area after hot stone massages. These will help to arouse the client after a hot stone massage. We also provide a blue velvet drawstring bag for storage.

1 Set/bag **MOQ: 50bags**



(版权所有 仿冒必究)

9Pcs Standard Marble Stone Set

(Product Code: H9TC)

Specifications:

- 6 Small ovular white marble
(for the forehead, temples, face and head crown)
- 2 Medium ovular white marble pieces (for the neck)
- 1 Large ovular white marble stone (for the chest)

Pack within blue velvet drawstring bag

1 Set/bag **MOQ: 50bags**

Key Features:

9Pcs Standard Marble Stone Set are used before the completion of the hot & warm stone massage. The white marble stones are used to refresh and revitalize clients before the end of the hot & warm stone massage session. The nine piece set are ideally used on the head, neck and chest areas, to revitalize the mind and spirit.



(版权所有 仿冒必究)

15Pcs Deluxe Marble Stone Set

(Product Code: H15TC)

Specifications:

- 3 Large ovular white marble stones (2 for the thigh, 1 for the chest)
- 6 Medium ovular white marble stones (2 for calf, 2 for hand, 2 for neck)
- 6 Small ovular white marble stones (2 for forehead and temple, 2 for face, 2 for head-crown)

Pack within blue velvet drawstring bag

1 Set/bag **MOQ: 50bags**

Key Features:

The fifteen piece Deluxe Marble Set is used before the completion of the hot stone massage & warm stone massage, the white marble stones are used to refresh and revitalize clients before the end of the hot stone massage session. The fifteen piece set is ideally used on the head, neck, chest, calf, palm areas, to totally wake up your client after a hot stone massage session. You client will appreciate this efficient, additional service.

Mini Basalt Stone Set



(版权所有 仿冒必究)

18Pcs Mini Body Massage Stone Set (Product Code: H18TC)

Specifications:

- 6 Large flat ovular basalt stones (**6 for backside**)
- 12 Medium flat ovular basalt stones
(**4 for arm, 4 for thigh, 4 for calf**)

Packed within a bamboo box

1 Set/pack **MOQ: 50packs**

Key Features:

This 18 piece mini body massage stone set is designed as an additional massage during other beauty treatment, such as wax treatments, manicures and pedicures. It's suitable for a 30 minutes hot stone massage. Though it's not suitable for a 90 minutes full body massage, it's an added value to your beauty or shiatsu massage.



(版权所有 仿冒必究)

22Pcs Mini Body Massage Stone Set (Product Code: H22TC)

Specifications:

- 8 Large flat ovular basalt (**4 for back, 4 for thigh**)
- 8 Medium flat ovular basalt (**4 for arm, 4 for calf**)
- 4 Small flat ovular basalt (**forehead, head crown**)
- 2 Miniature pressure point basalt (**for the neck or backside**)

Packed within a bamboo box

1 Set/box **MOQ: 50boxes**

Key Features:

More therapists will prefer to use our large flat-ovular-basalt for the thigh muscles instead of our medium sized ovular basalt stones. The 22 pcs mini body massage stone set adds 2 more large flat ovular basalt stones and 2 pressure point stones which are ideal for backside and neck massage, especially after a long day of using computers. It's suitable for a 40 minutes full body massage. The natural bamboo box is handmade to provide an efficient storage place for your stones.



(版权所有 仿冒必究)

28 Pcs Mini Body Massage Stone Set (Product Code: H28TC)

Specifications:

- 8 Large flat ovular basalt (**4 for backside, 4 for thigh**)
- 12 Medium flat ovular basalt
(**4 for arm, 2 palmrest, 2 feet, 4 for calf**)
- 4 Small flat ovular basalt (**2 for forehead, 2 for head crown**)
- 4 Miniature pressure point basalt (**for backside and neck**)

Packed within a bamboo box

1 Set/box **MOQ: 50boxes**

Key Features:

This 28 pcs Mini full body massage stone set is ideal for a full body hot stone massage. After heating the stones up to fifty five degrees, enwrap the stones with natural essential oils, and apply them onto your client's skin. It's suitable for a 45 minutes hot stone massage. This set is suitable for a full body massage including the head, face, neck, backside, arm, leg and feet. It will maximize your treatments and make your clients feel extremely comfortable.

Standard Full Body Massage Stone Set



(版权所有 仿冒必究)

36 Pcs Massage Stone Set

(Product Code:H36TC2)

Specifications:

- 8 Large flat ovular basalt (**4 for backside, 4 for thigh**)
- 14 Medium flat ovular basalt (**4 for arm, 2 for palm-rest, 4 for calf, 2 for feet, 2 for neck**)
- 6 Small flat ovular basalt (**2 for forehead, 2 for head crown, 2 for hindbrain**)
- 8 Toes (**8 for feet**)

Packed within a bamboo box

1 Set/box **MOQ: 50boxes**

Key Features:

The 36Pcs Stone Set is the most economic and the most popular standard full body massage stone set. It can cover the standard full body massage including the back, feet, head, arms and legs. Its uncomplicated, practical, and economic, all in one package. The natural bamboo box is handmade to provide an efficient storage place for your stones.



(版权所有 仿冒必究)

40 Pcs Massage Stone Set

(Product Code:H40TC)

Specifications:

- 8 Large flat ovular basalt (**4 for back, 4 for thigh**)
- 16 Medium flat ovular basalt (**8 for arm, 4 for calf, 2 for neck, 2 for feet**)
- 4 Small circular facial basalt
- 6 Small ovular basalt (**2 for forehead, 2 for head crown, 2 for hindbrain**)
- 4 Miniature pressure point basalt (**for backside and neck**)
- 2 Small ovular white marble (**for cool therapy**)

Packed within a bamboo box

1 Set/box **MOQ: 50boxes**

Key Features:

This 40pcs Hot Stone Set is suitable for a 50 minutes full body hot stone massage. This set also includes 4 small circular facial basalt stones, 4 miniature pressure point stones and 2 small ovular white marble cold stones, which are best used for a facial massage. The natural bamboo box is handmade to provide an efficient storage place for your stones.



(版权所有 仿冒必究)

45Pcs Massage Stone Set

(Product Code:H45TC)

Specifications:

- 1 X-large flat ovular basalt (**1 for stomach**)
- 10 Large flat ovular basalt (**4 for backside, 4 for thigh, 2 for haunch**)
- 14 Medium flat ovular basalt (**8 for arm, 2 for feet, 4 for calf**)
- 6 Small flat ovular basalt (**2 for forehead, 2 for head crown, 2 for hindbrain**)
- 2 Miniature pressure point basalt (**for backside and neck**)
- 2 Contoured oval facial (**2 for eye**)
- 8 Toes
- 2 Small ovular marble (**For cool therapy**)

Packed within a bamboo box

1 Set/box **MOQ: 50boxes**

Key Features:

The 45 piece set is suitable for a one hour, full body hot stone massage. The extra large, large, medium flat ovular basalt and the two Miniature pressure point basalt will enable the whole body massage treatment. Whilst, this set includes six small flat ovular stones, two contoured ovular basalt stones, two small ovular marble stones and 8 toes will enable a complete head massage treatment, facial massage treatment and feet massage treatment. The natural bamboo box is handmade to provide an efficient storage place for your stones.

Standard Full Body Massage Stone Set



(版权所有 仿冒必究)

50Pcs Massage Stone Set

(Product Code:H50TC)

Specifications:

- 2 X-large flat ovular basalt (*1 for sacral, 1 for stomach*)
- 6 Large flat ovular basalt (*for backside*)
- 14 Medium flat ovular basalt (*4 for leg, 4 for arm, 2 for palm*)
- 6 Small flat ovular basalt (*2 for forehead, 2 for head crown, 2 for hindbrain*)
- 6 Small round compressed basalt (*for bed heater under the backside*)
- 8 Toes (*for feet*)
- 6 Small circular facial basalt
- 2 Small ovular white marble stones

Packed within a bamboo box

1 Set/box **MOQ: 50boxes**

Key Features:

This fifty piece hot stone massage set is suitable for a full one hour body massage. The six large flat ovular stones and the fourteen medium ovular stones are sufficient to cover the entire body massage. Whilst, six small flat ovular basalt stones, 6 small circular facial basalt stones, 8 toes will enable a complete head massage treatment, facial massage treatment and feet massage treatment. In addition, this set includes two extra large stones which can be used for the back and stomach. Two small ovular marble stones are available in addition as a bonus gift. The natural bamboo box is handmade to provide an efficient storage place for your stones.



(版权所有 仿冒必究)

54Pcs Massage Stone Set

(Product Code:H54TC)

Specifications:

- 4 X-large flat ovular basalt stones
(*1 for stomach, 1 for haunch, 1 for chest, 1 for neck pillow*)
- 6 Large flat ovular basalt stones (*6 for backside*)
- 26 Medium flat ovular basalt stones
(*8 for arm, 8 for leg, 6 for feet, 2 for scruff, 2 for palm*)
- 6 Small flat ovular basalt stones
(*2 for forehead, 2 for head crown, 2 for hindbrain*)
- 6 Small circular facial basalt stones
- 4 Miniature pressure point basalt /Deep tissue
- 2 Small ovular white marble stones

Packed within a bamboo box

1 Set/box **MOQ: 50boxes**

Key Features:

The 54 piece Massage Stone Set includes more extra large stones and an amazingly twenty six medium flat ovular stones! This will enable the therapist to spend additional time and detail to each massage treatment. This set also includes six small flat ovular stones and six small circular stones, suitable for facial massage.

Four miniature pressure point basalt stones are included to intense muscular massage. Two small ovular white marble stones are included to refresh the client after the hot stone massage. With this beautifully handmade bamboo box, this set will provide an efficient storage place for your stones.

Deluxe Full Body Massage Stone Set

(版权所有 仿冒必究)

60 Pcs Massage Stone Set

(Product Code:H60TC)

Specifications:

- 3 X-large flat ovular basalt stones
(1 for sacral, 1 for neck contour, 1 for stomach)
- 6 Larger flat ovular basalt stones
(4 for backside, 2 for shoulder blade)
- 10 Medium flat ovular basalt stones *(4 for leg, 4 for arm, 2 palm)*
- 6 Small flat ovular basalt stones
(2 for overhead, 2 for head crown, 2 for hindbrain)
- 8 Small round bed beater/ back layout
- 8 Toes
- 6 Small circular facial basalt stones
- 4 Small ovular white marble stones *(for Cool therapy)*
- 2 Miniature pressure point basalt /Deep tissue
- 7 Chakra

Packed within a bamboo box

1 Set/box **MOQ: 50boxes**

Key Features:

This 60 piece hot stone massage set is one of the most completed hot stone massage sets. As it includes three extra large ovular stones and eight ovular toe stones, six small circular facial basalt stones suitable for facial massage, four small ovular marble stones, and seven Chakra. You won't be able to find some much variety of stone types and sizes in any other set. By using this complete stone set, you will be able to provide your client with an excellent one hour massage. The natural bamboo box is handmade to provide an efficient storage place for your stones.



(版权所有 仿冒必究)

Deluxe 64Pcs Massage Stone Set

(Product Code:H64TC)

Specifications:

- 2 X-Large Flat Ovular Basalt Stones
(1 for haunch, 1 for stomach)
- 14 Large Flat Ovular Basalt Stones *(6 for backside, 8 for thigh)*
- 14 Medium Flat Ovular Basalt Stones
(2 palm, 4 for arm, 4 for calf, 2 for feet, 2 for scruff)
- 7 Small Flat Ovular Basalt Stones
(3 for forehead, 2 for head crown, 2 for hindbrain)
- 2 Contoured Ovular Facial *(for eyes)*
- 4 Miniature Pressure Point Basalt /Deep Tissue
- 7 Chakras
- 8 Toes
- 6 Small Ovular White Marble Stones *(for cool therapy)*

Packed within a bamboo box

1 Set/box **MOQ: 50boxes**

Key Features:

This 64 piece set is the most balanced and complete set of varied stones which we produce. This set will enable full body massages, chakra treatment, feet massage, pressure point massage, facial massage and cool therapy. This is why this particular set is our best selling hot stone massage set. It's suitable for a 75~90 minutes full body massage.

Deluxe Full Body Massage Stone Set

(版权所有 仿冒必究)

Super Deluxe 70Pcs Massage Stone Set (Product Code:H70TC)

Specifications:

- 1 X-large Flat Ovular Basalt Stones (*for backside or neck*)
- 16 Large Flat Ovular Basalt Stones
(*2 for stomach, 6 for backside and scapular, 8 for thigh*)
- 18 Medium Flat Ovular Basalt Stones
(*8 arm, 2 for palm, 2 for feet, 2 for neck, 4 for calf*)
- 6 Small Flat Ovular Basalt Stones
(*2 for overhead, 2 for head crown, 2 for hindbrain*)
- 6 Small Circular Facial Basalt Stones
- 4 Miniature Pressure Point Basalt /Deep Tissue
- 8 Toes
- 7 Chakra
- 4 Small Ovular White Marble (*for cool therapy*)

Packed within a bamboo box

1 Set/box **MOQ: 50boxes**

Key Features:

More therapists will prefer to use our large flat ovular basalt for the thigh muscles instead of our medium sized ovular basalt stones. The larger flat ovular basalt stones and 4 pressure point stones are ideal for massaging the backside and neck massage, especially after a long day of using computers. It's suitable for a 120 minutes full body massage. The natural bamboo box is handmade to provide an efficient storage place for your stones.

(版权所有 仿冒必究)

Super Deluxe 76Pcs Massage Stone Set (Product Code:H76TC)

Specifications:

- 1 X-large Flat Ovular Basalt Stones (*for backside*)
- 14 Large Flat Ovular Basalt Stones
(*2 for stomach, 4 for backside, 8 for thigh*)
- 18 Medium Flat Ovular Basalt Stones
(*4 for calf, 4 for feet, 8 for arm and palm, 2 for neck*)
- 6 Small Flat Ovular Basalt Stones
(*2 for overhead, 2 for head crown, 2 for hindbrain*)
- 4 Medium Half-ball Basalt Stones (*2 for backside, 2 for feet arch*)
- 6 Malteser Basalt Stones (*4 for feet, 2 for palm*)
- 2 Crescent Basalt Stones (*for leg*)
- 4 Miniature Pressure Point Basalt /Deep Tissue
- 8 Toes
- 7 Chakra
- 6 Small Ovular White Marble Stones (*For cool stone therapy*)

Packed within a bamboo box

1 Set/box **MOQ: 50boxes**

Key Features:

This 76 piece hot stone massage set is our most luxurious set, 1 extra large ovular, 14 large ovular, 18 medium ovular basalt stones will be able to cover the whole body-massage. The extra 4 medium half ball stones, 2 crescent stones, 6 malteser stones and 4 pressure point stones will be able to offer deeper massage on details, 7 chakras offer energy massage, 8 toes, 6 small ovular marble stones, 6 small ovular basalt stones provide more applied function. By using this hot stone set, your standard of treatments can rise to an exceptional level for a 2-hour massage.

Deluxe Full Body Massage Stone Set



(版权所有 仿冒必究)

20Pcs Foot Massage Stone Set (Product Code:H20TC)

Specifications:

- 4 Large Flat Ovular Basalt Stones (*for calf*)
- 4 Medium Flat Ovular Basalt Stones
(*2 for the upper area of the feet, 2 for arch of the feet*)
- 4 Small Ovular Basalt (*2 for heel, 2 for sole*)
- 8 Toes

Packed within a blue velvet bag **MOQ: 50bags**

Key Features:

This 20 piece stone set is designed for a complete feet massage treatment. It will provide a comfortable and complete care for the arch of the feet, toes, and legs completely. 4 large ovular basalt stones will be used for the muscle of the calf, 4 medium ovular basalt stones will be used for both the arch area and the upper foot area. Finally, 4 small ovular basalt stones will be used for the heel and the sole of the foot.



(版权所有 仿冒必究)

Standard 16Pcs Facial Massage Stone Set (Product Code:H16TC)

Specifications:

- 2 Medium Flat Ovular Basalt Stones (*for neck*)
- 6 Small Flat Ovular Basalt Stones
(*2 for forehead and temple, 2 for head crown, 2 for hindbrain*)
- 6 Small Circular Facial Basalt Stones
- 2 Small Ovular White Marble (*for cold stone therapy*)

Packed within a blue velvet bag **MOQ: 50bags**

Key Features:

This 16 piece stone set provides ample stones for a truly luxurious head and facial massage. The basalt hot stones will relax and release tension during the massage, whilst the two white marble stones will help aid the client to wake up upon completion of the massage. We also provide a blue velvet drawstring bag for storage.

(版权所有 仿冒必究)

Deluxe 30Pcs Foot Massage Stone Set (Product Code:H30TC)

Specifications:

- 8 Medium Flat Ovular Basalt Stones (*4 for calf, 2 for arch, 2 for instep*)
- 6 Small Flat Ovular Basalt Stones (*4 for sole, 2 for heel*)
- 8 Cozy Toes
- 6 Malteser Basalt Stones (*2 for arch, 2 for the upper area of the foot*)
- 2 Miniature Pressure Point Basalt /Deep Tissue (*for sole and heel*)

Packed within a bamboo box **MOQ: 50boxes**

Key Features:

The Deluxe 30 Pcs feet massage stone set combines 8 medium ovular basalt, 6 small ovular basalt, 8 toes, 6 Malteser basalt and 2 pressure point basalt stones. By using this basalt stone set, you can provide your client with an extremely comfortable foot massage, transferring heat and energy, saving the use of the therapists' thumb, and delivering a more pressured massage to specific tense areas. The natural bamboo box is handmade to provide an efficient storage place for your stones.



Deluxe Full Body Massage Stone Set

(版权所有 仿冒必究)

33Pcs Fat Reduction Massage Stone Set

(Product Code:H33TC)

Specifications:

- 1 X-Large Flat Ovular Basalt Stone (*for stomach*)
- 16 Large Flat Ovular Basalt Stones
- (*2 for haunch, 2 for hip, 8 for thigh, 4 for stomach*)
- 14 Medium Flat Ovular Basalt Stones (*4 for calf, 8 for arm, 2 for neck*)
- 2 Crescent Basalt Stones (*for thigh and calf*)

Packed within a bamboo box **MOQ: 50boxes**



Key Features:

This 33 pcs fat reduction massage stone set is specially designed for fat reduction specifically for a women's physique: thigh, calf, haunch, hip, arm, neck, stomach, this fat reduction massage stone set is ideal for those wanting to lost weight. Through fat reduction creams, fat reduction essential oils and the transferring of heat by the stones, the pores of the skin will enlarge, and as a result will absorb the fat reduction products more effectuality. The natural bamboo box is handmade to provide an efficient storage place for your stones.



(版权所有 仿冒必究)

25Pcs Standard Table Warmer Stone Set

(Product Code:H25TC)

Specifications:

- 2 X-large Compressed Oval Basalt Stones (*1 for stomach, 1 for kidney*)
- 10 Large Compressed Oval Basalt Stones (*1 for lower abdomen and 1 for chest, 4 for thigh, 2 for knee-joint, 2 for calf*)
- 8 Medium Compressed Oval Basalt Stones (*2 for groin and 6 for backside*)
- 1 X-Large Flat Ovular Basalt Stone (*for neck curve*)
- 2 Large Flat Ovular Basalt Stones (*2 for shoulder blade*)
- 2 Large Circular Basalt Stones (*2 for shoulder blade*)

Packed within a bamboo box **MOQ: 50boxes**



Key Features:

It's advised to heat the stones to a warm temperature of 45 degrees to avoid any harm to the client. When your client is lying face up, place the one large flat ovular basalt stones under the neck as a heating pillow, 2 large circular basalt under the shoulder blade, 6 medium compressed ovular basalt under the backside, 1 X-large compressed ovular basalt stones under the haunch, 2 large compressed ovular basalt under the hip, 2 large compressed ovular basalt under the thigh, 2 large compressed ovular basalt under the knee-joint, and finally 2 large compressed ovular stones under the calf. When your client is face down, you can put 1 extra large compressed oval basalt under the stomach, 2 medium compressed ovular stones for the groin area, 2 large compressed ovular stones for the lower thigh, and 2 large ovular stones under the shoulders. By using this method, your client will lay on the warming stones with extreme comfort and relaxation, which will increase the effectiveness of your hot stone massage.

Deluxe Full Body Massage Stone Set

(版权所有 仿冒必究)

37Pcs Standard Warm Stone Set
(Product Code:H37TC)

Specifications:

- 1 X-large Flat Ovular Basalt Stone (*for scruff*)
- 12 Large Flat Ovular Basalt Stones
(*4 for shoulder blade, 6 for backside, 2 for shoulder*)
- 2 Medium Flat Ovular Basalt Stones (*2 for palm*)
- 1 Small Flat Ovular Basalt (*for the third-eye*)
- 3 X-large Compressed Oval Basalt Stones (*1 for stomach, 2 for haunch*)
- 5 Large Compressed Oval Basalt Stones (*1 for chest, 4 for thigh*)
- 8 Medium Compressed Oval Basalt Stones (*4 for backside, 4 for groin*)
- 2 Contoured Oval Stone (*for eyes*)
- 3 Small circular facial stones (*for face & chin*)

Packed within a bamboo box **MOQ: 50Sets**



Key Features:

By using this 37 piece Table Warmer & Body Warmer Stone Set, your client can both achieve a warming experience on either their upper body, lower body, back side and front side whether they are laying facing up or facing down. This 37 piece stone set is normally used for warm stone massage or offering a warming experience when applying a hot stone massage which will raise the effectiveness level of your hot stone massage. Generally, we suggest you used this 37 piece stone set as per the methods as below:



Using method:

When your client face up:

- Extra large ovular basalt stones: put 1 under the neck as the neck pillow.
- Large ovular Basalt: put 2 under the left and right scapular.
- Medium ovular basalt stones: place 2 in the palm of your client.
- Small ovular basalt stones: put 1 on the on the third-eye area of the forehead.
- X-large compressed ovular basalt stones: Put 1 on the stomach, and 1 under haunch,
- Large compressed ovular basalt stones: put 2 under the thigh of the client.
- Medium compressed ovular basalt: 2 on the groin, 4 under the backside.
- Contoured ovular basalt stones: put 2 on the eyes.

When your client face down:

- Large ovular basalt stones: Put 6 on the backside, 2 on the scapular, 2 under the shoulder.
- X-large compressed ovular basalt: Put 1 on the haunch or under the stomach depending on your client's need.
- Large compressed ovular basalt: Put 1 on the haunch, 2 under the thigh.
- Medium compressed ovular basalt: put 2 under the groin.

Deluxe Full Body Massage Stone Set

(版权所有 仿冒必究)

55Pcs Deluxe Warm Stone Massage Set (Product Code:H55TC)

Specifications:

- 4 X-large Compressed Oval Basalt
(2 for stomach, 2 for haunch or kidney)
- 14 Large Compressed Oval Basalt *(2 for lower abdomen, 4 for thigh, 2 for knee-joint, 2 for chest, 2 for calf, 2 for hip)*
- 8 Medium Compressed Oval Basalt *(4 for groin, 4 for backside)*
- 1 X Large Flat Ovular Basalt for neck pillow
- 10 Large Flat Ovular Basalt
(2 for shoulder, 6 backside, 2 for the scapular)
- 2 Medium Flat Ovular Basalt *(2 for palm)*
- 1 Small Flat Ovular Basalt *(1 for the third-eye)*
- 2 Contoured Oval Basalt *(for eyes)*
- 2 Large Circular Basalt *(for shoulder blade)*
- 3 Small Circular Facial stones *(for face & chin)*
- 8 Toes

Packed within a bamboo box **MOQ: 50Sets**



Key Features:

We strongly recommend our deluxe 55pcs warm stone massage set, as it can provide a full body warming experience whether your client is lying on their back or face down. It can help your shiatsu massage, reiki massage, hot stone massage or any kind of therapy to deliver a higher standard of therapy with extreme comfort and relaxation. We advise that you heat the stones to 45~50 degrees and use them as below:


















Using method:

When your client lying face up:











- Extra-large compressed ovular basalt stone: Put 1 on the stomach, 1 under the haunch.
- Large compressed ovular: Put 1 on the chest, 1 on the lower abdomen, 2 under the hip, 2 under the thigh, 2 under leg muscle.
- Medium compressed oval basalt stones: put 2 on the groin and 6 under the backside.
- Extra Large Ovular Basalt: put 1 under the neck as the heating neck pillow.
- Medium ovular basalt: (for the palms rest): put 2 inside the palm
- Small Ovular stone : Put 1 in the middle of forehead, representing the third-eye.
- Contoured ovular stones : Put 2 on the eyes
- Large circular basalt: Put 2 under the scapula
- Small circular facial stones : Put 2 on the cheek-bone and 1 on the chin
- Toes: put toe stones in the gaps between the toes.

When your client is lying face down:

- Extra-large compressed oval basalt stone: Put 1 under the stomach, 1 on the haunch.
- Large compressed ovular: Put 2 under upper thigh, 2 under lower thigh, 1 under the chest and 1 under the lower abdomen.
- Medium compressed ovular basalt stones: put 2 under the groin
- Large Ovular basalt stones: put 6 on the backside and 2 on the scapular, 2 under the shoulder

16-Year Hydrolysis Resistance Standard PU					
					
#01 Black(黑色)	#02 Burgundy(红色)	#03 Purple(紫色)	#04 Agate Blue(灰色)	#05 Teal(绿色)	#06 Beige(米色)
					
#07 Moco Beige(米黄色)	#08 Chocolate(巧克力色)	#09 Navy Blue(海军蓝)	#10 Lilac(粉红色)	#11 Blue(蓝色)	#12 Yellow(黄色)
					
#14 White(白色)	#16 Jade(玉色)	#17 Sky Blue(天蓝色)	#18 Seamist(浅蓝灰)	#19 Orange(橙色)	#20 Cyan(青色)
					
#21 The otter color(水獭色)	#22 Charcoal(炭灰色)	#23 Lily green(淡绿色)	#28 Meadow Green(草绿色)	#29 Ochre(黄褐色)	#30 Marina Blue(玛丽娜蓝)
					
#31 Cinnamon(肉桂色)	#32 Formula One(赛车红)	#33 Macaw Green(棕榈绿)			

OEM High Durability PVC					
					
#01 Black(黑色)	#02 Burgundy(红色)	#04 Agate Blue(灰色)	#06 Beige(米色)	#07 Moco Beige(米黄色)	#08 Chocolate(巧克力色)
					
#09 Navy Blue(海军蓝)	#11 Blue(蓝色)	#13 Bone color(骨色)	#14 White(白色)	#16 Jade(玉色)	#17 Sky Blue(天蓝色)
					
#18 Seamist(浅蓝灰)	#21 The otter color(水獭色)	#22 Charcoal(炭灰色)	#24 Taupe(灰褐色)	#25 Tiger Blue(Tiger蓝)	#28 Meadow Green(草绿色)

OEM ECO PU					
					
#01 Black(黑色)	#02 Burgundy(红色)	#03 Purple(紫色)	#04 Agate Blue(灰色)	#06 Beige(米色)	#07 Moco Beige(米黄色)
					
#08 Chocolate(巧克力色)	#11 Blue(蓝色)	#12 Yellow(黄色)	#23 Lily green(淡绿色)	#26 Diamond Blue(宝石蓝)	



A Free and Pure Health Keeper

Sintang Electronics Division was established in 2019, and the Hi5 brand was born accordingly. Sintang will not deviate from the field of massage tables and medical beds. On the contrary, with the continuous learning of the electronics department, it will apply electronics technology practices to the fields of massage tables and medical beds. Meanwhile, We will also create a series of innovative electronic massagers to improve life quality of the majority of users.



**Your Lightweight,
Chic, Stylish Eye Massager**

Super Lightweight at Just 112g
or 4 Ounces



Small Size

E10 is ultra compact folding down to
2.3x3.5" to put in pocket.



Lightweight, Chic, Stylish

Designed to look chic and stylish for both men and women of all ages. Choose from Aurora Blue and Blue and Purple Gradient. This is super lightweight at just 112g or 4 ounces. They are so light and quiet you will forget you're wearing. Just 40db the sound of a whisper. These are ultra compact folding down to 2.3x3.5" to put in pocket, purse, or glove compartment. This comes with its own storage protection pocket.

Self Fitting Design
Appropriate For Ages Above 10



The 180° Flexible & Foldable Design

E10 Eye Massager can be automatically adjusted to fit the facial contour of children and adults. We established that the E10 was perfect for ages 10-70 by testing the product on a large group of participants.



-4 Pre-Programmed Massage Settings

- Vitality Mode
- Soothing Mode
- Exercise Mode
- Sleep Mode

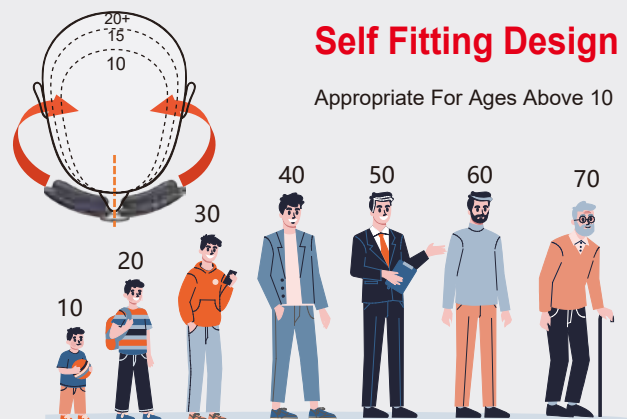
-3 Intensity Level Adjustment

Adjust heating warmth through 3 levels or turn off



Self Fitting Design

Appropriate For Ages Above 10



Three Adjustable Heating Level

The high quality copper plate heats rapidly, distributes evenly, and will last and work well for up to 10 full years of benefits. Lets you adjust the amount of heat through 3 levels or turn heat off. Much more efficient and long lasting than the carbon fiber and graphene heating plates used in other brands.



Lightweight, Chic, Stylish

Designed to look chic and stylish for both men and women of all ages. Choose from Aurora Blue and Blue and Purple Gradient. This is super lightweight at just 112g or 4 ounces. They are so light and quiet you will forget you're wearing. Just 40db the sound of a whisper. These are ultra compact folding down to 2.3x3.5" to put in pocket



The 180° Flexible & Foldable Design

E10 Eye Massager can be automatically adjusted to fit the facial contour of children and adults. We established that the E10 was perfect for ages 10-70 by testing the product on a large group of participants.

Product Parameters

Product Name:

E10 Electric Smart Eye Massager

Product Size:

82.9x57.9x55.1mm

Unfolding Size:

156.8x58x47.4mm

Rated Voltage:

DC3.7V

Rated Power:

4.0W

Charging Voltage;

DC5.0V

Battery Capacity:

1000mAh

Charging Method:

USB-TYPE/C

Product N.W:

112g

Color:

aurora blue、gradient purple

Executive Standard:

GB 4706.1-2005, GB4706.10-2008

Hair Boost Massage Cap (H3)

A Daily Ritual for Scalp Vitality & Calm Focus.

Designed to deliver gentle rhythmic stimulation to the scalp —supporting relaxation, circulation, and a sense of everyday balance.



Hair Boost Massage Cap (H3)



Inside the H3 Scalp Therapy System

How vibration and light work together to support scalp vitality.



Color Range



Black



Beige



White



Grey



Blue



Burgundy

Technical Specifications

Model	H3 Hair Boost Massage Cap	Rated Voltage	DC 3.7V
Charging Input	5 V-1 A (USB Type-C)	Battery Capacity	1500mAh
Massage Modes	6 modes, 3 intensity levels	Light Therapy	Dual-Spectrum LED (46 Red + 46 Blue)
Vibration Nodes	33 independent massage heads	Product Sizes	S (51-56cm), L(57-62cm)
Certifications		Net Weight	520g / 1.15lb

Visible Hair Density Improvement

Clinical photography demonstrates visible improvement in scalp coverage and hair density following regular use of the H3 Hair Boost Massage Cap.

*Images captured under controlled conditions to illustrate changes in hair density and scalp appearance.



Before Use



After 8 Weeks



After 12 Weeks

Scalp Condition Observation Over Time

High-magnification scalp imaging reveals progressive changes in hair follicle activity and hair density during continued use.



Before Treatment



After — 8 Weeks of Use



After — 12 Weeks of Use

*Images show increased follicle activity and improved distribution of hair shafts over time.

Test Results (Intertek Certified)

Based on a 12-week clinical study with 32 participants

- Hair loss count decreased by 65.6%
- Overall hair density increased by 28.9%
- Local hair density increased by 18.3%
- Hair count increased by 17.5%
- Over 96% of users reported satisfaction and improved scalp comfort

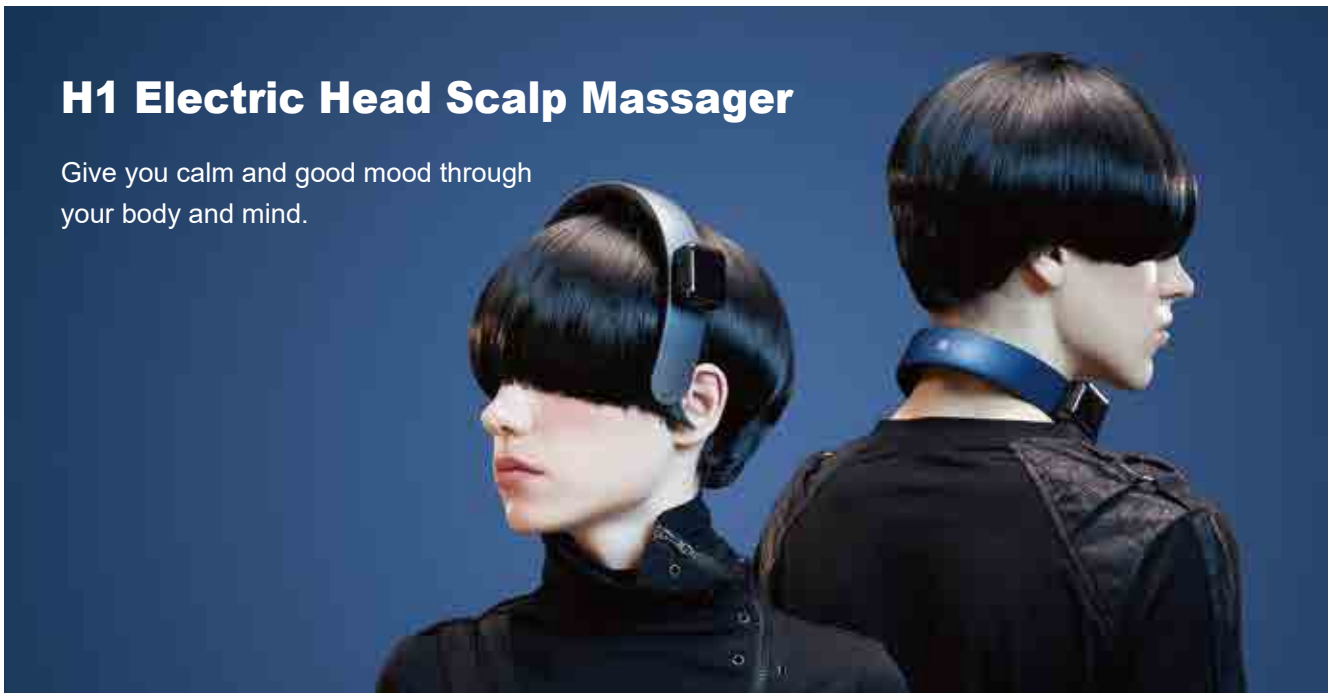


*Individual results may vary. This product is not intended to diagnose, treat, cure, or prevent any medical condition.

Designed for quiet, non-invasive daily scalp care using mechanical vibration and dual-spectrum red and blue light therapy.



Fashionable and lightweight at just 120 grams or 4.3 ounces. Magic 11 Fingers Electric Massager gives you a deep, relaxing, therapeutic massage to release tension and help soothe headaches, migraines, anxiety, and stress. Ideal for relaxing at work and home. Feels like a professional massage therapist that instantly sends waves of calm and good mood through your body and mind. Easy to use, cordless, with hours of operation on a single charge.



Smaller Size

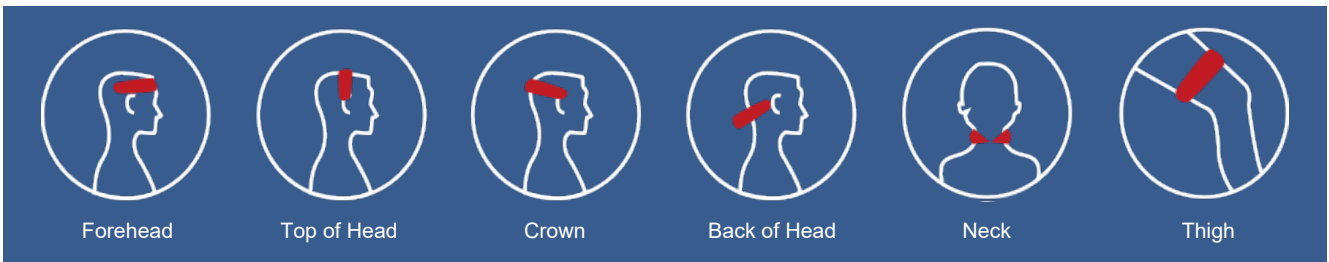
Rechargeable

APP Control

11 Vibration Points

LED Battery Compartment

H1 Head Scalp Massager



Highly Effective All Over Head

Place this on the back of your head, over the top of your head, around your forehead, and around your neck. Lets you provide a soothing massage to 100% of your head. Unlike other designs that only provide 40 - 50% coverage. No wonder people choose this to soothe headaches, tension, and stress for less discomfort and improved mood.

This one size fits most adults, adjusting for all shapes of heads for both men and women. We've identified 6 different ways to wear this versatile headband design for exciting massage all over. Use for head, neck, and legs after work, sports, workouts, or anytime you want to feel better.



11 Fingers Head Massager

Get instant soothing, relaxing relief that feels like 11 fingers of a skilled massage professional in the comfort of home or work. Up to 12,000 vibrations per minute to quickly relieve headache, migraine, sore neck, scalp, and more. Ideal for relaxing after a long day at work to eliminate tension and promote improved deep sleep.

5 Stored Vibration Modes

Enjoy Awake Mode for a gentle rhythm to help you wake up in the morning. Soothing Mode relaxes tension for a peaceful mood and active mind. Neck Massage Mode relaxes sore, tense neck muscles after hours behind a monitor or driving. Sleep Mode is a gentle, slower massage that lulls you into a deep, restful sleep.

Intelligent App Control

Easy to Use with Intelligent App - Comes with a mobile app that lets you control the head massager quickly and easily anywhere, anytime



12000 Vibrations/Min.

Up to 12,000 vibrations per minute to quickly relieve headache, migraine, sore neck, scalp, and more. Ideal for relaxing after a long day at work to eliminate tension and promote improved deep sleep.

3 Intensity Level Adjustment

3 levels of intensity adjustment can be used with different massage modes which are suitable for different users' needs.

Smallest Size, Easy to Store, And Easy to Carry.

Much better than bulky helmet massagers, this stylish slim headband only weighs 4.3 oz and is compactly sized at just 6.3 x 6 x 1.2" wide. Fits easily in drawer, backpack, glove compartment, workout bag, or purse for frequent use.

Product Parameters

Product Name:

H1 Hairband Head Massager -Deluxe Version

Model:

H1

Rated Input Power:

3.5W

Rated Charging Voltage:

5V

Battery Capacity:

700mAh

Smart Timer:

15 Minutes

Executive Standard:

GB4706.1-2005 GB4706.10-2008



H1 Standard & Colors



Lava Orange Dark Night Black Prussian Blue Misty Gray

H1 Standard & Colors



Lava Orange Dark Night Black Prussian Blue Misty Gray

H2 Light therapy Hair growth & Scalp Massager

Wearing the H2 Light Therapy Scalp Massager for 15 Minutes Per Day Can Help Regrow Hair.



Video



Before Use



1-2 Months



3-4 Months



6 Months



8 Months



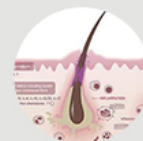
Helps Stop Hair Loss



Helps Treat Thinning Hair and Balding



Helps Revitalize Damaged Hair



Inhibit the Inflammatory Response of Hair Follicles



Nurtures Fuller Healthier Looking Hair

H2 Painless Dual Phototherapy Light Therapy

Customers love this Anti-Hair Loss Electric Scalp Massager for its ability to ease anxiety and increase energy levels. Studies have found that head massage helps release dopamine, a neurotransmitter associated with feeling good, and can reduce depression and improve your mood! Massage affects not only the body, but your mind, too! The blue light has a particularly good anti-inflammatory effect, and consistent use can inhibit the inflammatory response of hair follicles, to effectively improve hair follicle atrophy and assist in the treatment of hair loss.

Small & Max

Blue light inhibits the inflammatory response of hair follicles to improve hair follicle atrophy and assist in the treatment of hair loss.

RED light therapy promotes blood circulation and improves seborrheic alopecia.

DO YOU WANT HEALTHIER AND THICKER HAIR?

NOT ONLY HELPS WITH HAIR REGROWTH, BUT ALSO MASSAGES THE SCALP

MINI

The H2 **Light Therapy Head Massager** will melt your stress away with its 10-vibration points that have 12,000 vibrations per minute and 5 different rhythm work modes. This massager quickly and effectively relieves headaches, migraines, sore neck, and scalp tension so you can relax.

H2 Light Therapy Hair Growth Equipment Is Also a Massager to Relieve Tension & Headaches in Style

With ten massage heads that vibrate in five different rhythm modes, the H2 Scalp Massager provides strong, alternated stimulation to your scalp nerves, resulting in rapid relaxation and a crisp, numbing sensation. Not only does it leave your scalp feeling amazing, but it can also relieve headaches, migraines, sore neck, and scalp tension to help you unwind and feel your best.

The H2 Hair Growth Heating Head Massager's two heating contacts and three heating temperature levels can effectively apply heat to your temples and area around your ears, affectively promoting blood circulation and relieving pain symptoms.



3 in 1 Heat-Pulse-Vibration Waist and Abdomen Massager

This Heat Pulse Vibration Waist and Abdomen Massage Belt features a three-speed hot compress function, a TENS mid frequency pulse massage function with four modes, a nine-speed adjustment, and a high-frequency vibration massage function with three speed adjustment integrated into a belt. The three functions can be used simultaneously or separately for a customized massage. This Electric back massage belt can be used alone as a TENS back massager, as a Vibration massage wait belt, or as a Menstrual heating pad.



Soothing & Convenient Features

The Master Massage Portable Heating Pad with a Heated Belt gives quick and easy relief from lower back pain. Enjoy the convenience of a detachable battery compartment and an extension strap for a perfect fit. Experience the relaxing benefits of dual heating and TENS massage zones, as well as a soothing vibration massage zone. This must-have device comes packaged in a stylish gift box to give to a loved one or enjoy for yourself.



Moveo V2 Rehabilitation Leg Exerciser

Introducing Hi5-Moveo V2 Leg Rehabilitation Equipment, the next generation under desk exerciser and leg circulation booster! This high-tech leg exerciser device is specially designed to help you achieve polyneuropathy leg recovery, varicose veins recovery, after stroke Leg therapy, burning fat in any setting. Made with durable Aluminum and Stainless Steel, it offers a combination of Wobble Movement and vibration modes, allowing you to effectively target different muscle groups.

<p>Let's dance 5022 Steps 10 Minutes Level 8 Intensity 8</p>		<p>Easy Mobilize 723 Steps 6 Minutes Level 2 Intensity 1</p>
<p>Forest Travel 4145 Steps 12 Minutes Level 5 Intensity 8</p>		<p>Relax Walk 2035 Steps 10 Minutes Level 3 Intensity 1</p>
<p>Whole Body Mobilisation 6595 Steps 15 Minutes Level 7 Intensity 9</p>		<p>Morning Exercise 4473 Steps 12 Minutes Level 4 Intensity 2</p>
<p>Arm Exercise 1527 Steps 6 Minutes Level 5 Intensity 4</p>		<p>Vascular Boost 3230 Steps 10 Minutes Level 5 Intensity 3</p>
<p>Regenerate 5120 Steps 10 Minutes Level 8 Intensity 4</p>		<p>Jogging 3997 Steps 15 Minutes Level 6 Intensity 4</p>

10 Automatic Wobbling Modes

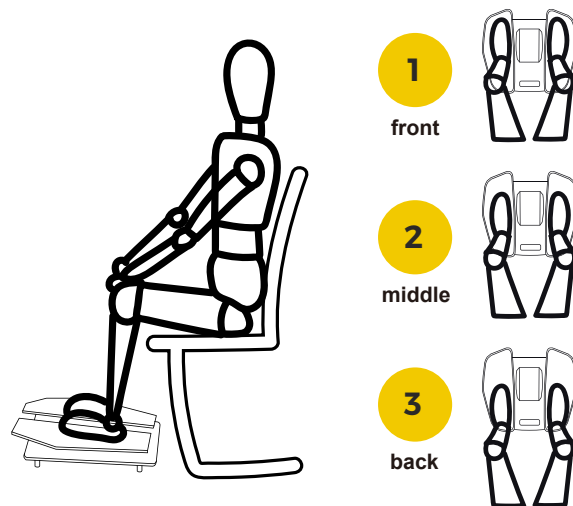
Get ready to dance, explore the forest, mobilize your whole body, strengthen your arms, regenerate, and more! With options like Easy Mobilize, Relax Walk, and Morning Exercise, this Moveo V2 Leg Exerciser has a mode for everyone. Each mode offers a unique combination of speed and rhythm changes, ensuring a dynamic and enjoyable workout experience. From a leisurely 2035 steps in 10 minutes during Relax Walk, to an intense 5122 steps in 10 minutes in Regenerate mode, the possibilities are endless; with APP control and remote-control capabilities, you have full control over your training. Switch between modes effortlessly and never miss a beat.

Seated Position

Include your shoulders and upper body in the training by resting your forearms on your knees.

The training effect changes depending on the position of your feet.

- 1 in front: strong training effect
- 2 middle: normal training effect
- 3 back: low training effect

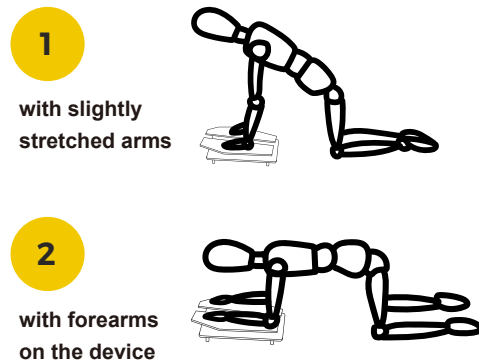


Kneeling Position

Please ONLY use this method of use at a low speed level.

Trainingseffekt

- 1 trunk and entire upper body
- 2 muscle relaxation and regeneration of the entire upper body

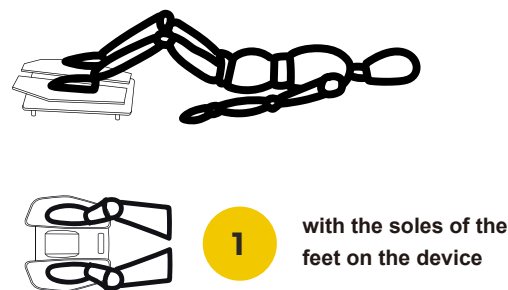


Lying Position

Lie down on your back and place the soles of your feet centered on the contact surfaces.

Trainingseffekt

- 1 muscle relaxation for recreation and regeneration; promotion of blood circulation in the legs

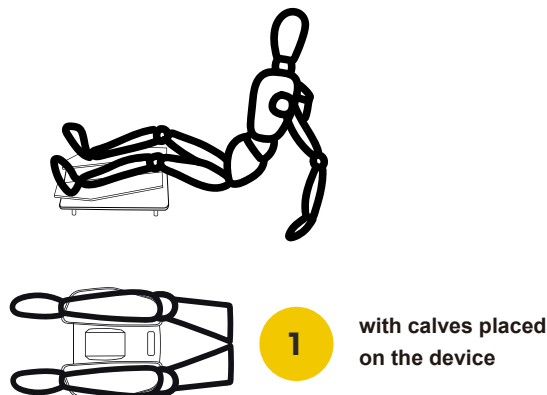


Seated on the floor

Place your calves in the middle of the contact surfaces. Make sure that your heels can move in the air freely.

Trainingseffekt

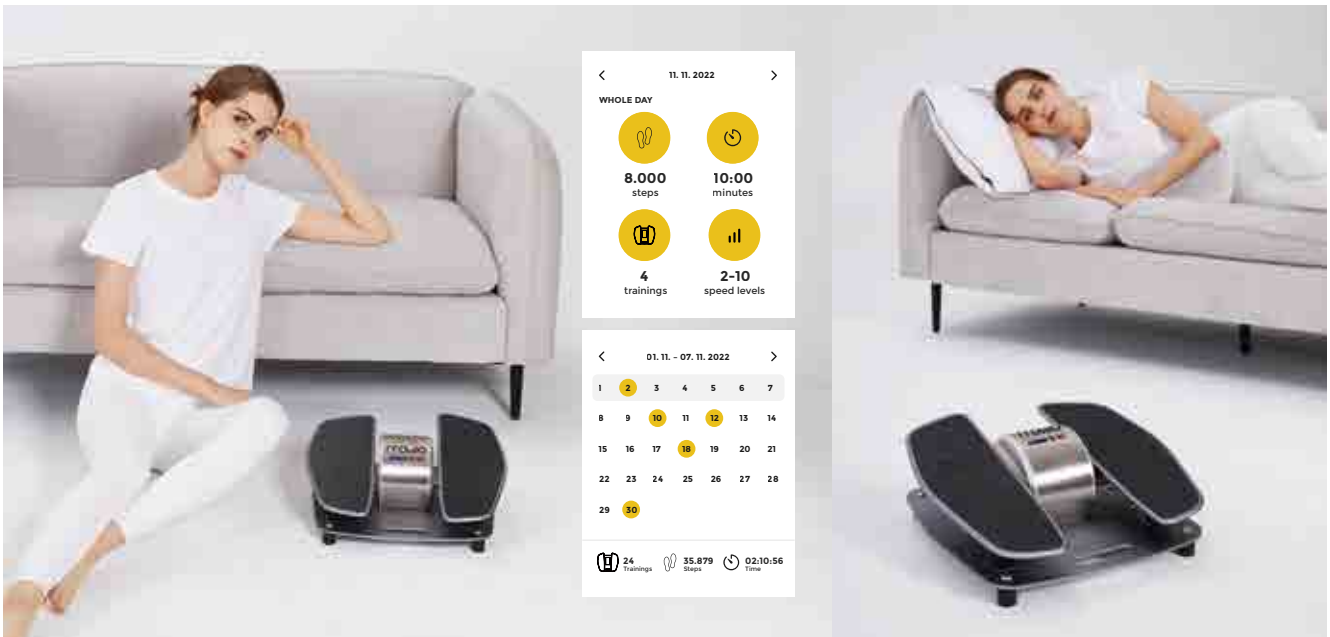
- 1 muscle relaxation for recreation and regeneration; promotion of blood circulation in the lower legs and thighs





Customize Your Workout with 10 Manual Speeds and Intensity Adjustment

Discover the Moveo V2 Leg & Ankle Rehabilitation Equipment, equipped with 10 manual speed and intensity options. From a gentle 200 steps/minute to an invigorating 1500 steps/minute, each mode can be enjoyed for 10 minutes. Easily control your workout through the user-friendly mobile app or remote-control device. Start with the 1-3 low speeds, perfect for seniors or beginners. As your body strengthens, gradually increase the intensity. And for office or gym warm-ups, the 7-10 speeds are ideal.



Download the moveo app from the App Store, Google Play Store or on www.moveo.at/app to enjoy all functions.



← iOS



← Android

Track and Analyze Your Daily Training Progress

Experience more than just a vibrating and wobbling machine with Moveo. Keep tabs on your daily and past training sessions with ease. Our app allows you to record and review essential information like the mode, duration, speed, and intensity used during your workouts. Plus, you can even see how many simulated walking steps you've taken and calculate aggregated training data. Stay in the know about your progress and recovery by accessing your training data at any stage. Make your training more meaningful and consistent with our bonus app feature.

Activate Leg Muscles	Positive Effect on Joint Pain and Sense Disturbances	Relieve Pain from Polyneuropathy	Alleviate PAD
			Strengthens the Connective Tissue
			Reduces Cellulite
			Trains the Spinal Muscles
			Relaxation and Recovery
			Stress Reduction
Prevention of Diabetes			
Sooth Arthrosis & Knee Problems	Improves Ankle Flexibility	Relieve Varicose Veins	Counteracts Amyotrophic
			Better Blood Flow

Transform Your Health and Wellbeing

The main effect of the V2 Leg and Ankle Flexibility Trainer includes regulating blood pressure, counteracting amyotrophic, improving blood flow, alleviating Peripheral Artery Disease (PAD), relieving varicose veins, and so much more. You can also enjoy a positive effect on joint pain, arthrosis, and knee problems, as well as activate your leg muscles and improve ankle flexibility.

The derivative effects are equally impressive. Our leg therapy device reduces cellulite, strengthens connective tissue, alleviates hip complaints, increases mobility, and even helps prevent diabetes. Say goodbye to tension in the neck and hello to stress reduction, relaxation, and recovery. Plus, you'll be training your spinal muscles and finding relief from intervertebral disc herniation.

With our device, you can achieve all these incredible benefits effortlessly. Simply sit comfortably and place your feet on the pedals.

Whether it's while reading the newspaper in the morning, watching TV in the evening, or any time in between, let the movement trainer take care of the rest. It's easy on the joints and body friendly. Just 10 minutes of use equals 10,000 steps, ensuring you reach your daily health goals.



Transform your office into a personal fitness haven!

Moveo Foot Gym is a compact gym designed to fit right into your workplace. With minimal effort, you can indulge in a full-body workout while still getting your tasks done. This handy device features two pedals that provide gentle and ergonomic movement for your joints and muscles. Ideal for the hustle and bustle of office life, you can simply place your feet on the pedals and experience the benefits of a wobble-based exercise.



Our Factory in Shanghai



Shanghai Sintang Industrial Co., Ltd

Address: No.136 Linsheng Road, Tinglin Town, Jinshan District, Shanghai City, China

Tel: 86-21-37210909

Our Factory in Jiangsu



Jiangsu Sintang Health Technology Co., Ltd

Address: No.10 Jinfeng Road, Dafeng District, Jiangsu Province, China

Tel: 86-21-37210909

Website: Mingtenghealth.com

Email to our president: dandu@dandu.net



Our Show Room



MT 20 Year Collection Download



同行勿仿 面斥不雅

上海新裕实业有限公司对本宣传册内所包含的产品图片，格式，排版方式，产品配置以及产品组合方式等信息拥有著作权，受到法律保护。任何单位及个人均不得转载或使用。我公司对本宣传册中的众多产品拥有版权，外观以及实用新型专利，请勿仿造。如果您一意孤行，将面临法律诉讼。